

**SPECIFICATION**

**MATERIAL**

Insulator: PA6T (FR52G30, rated UL94V-0)

Contacts: C2680-H

**CONTACT PLATING**

Underplate: 80u"~160u" Nickel

Contact area: 100u"~200u" Tin(Matte)

Solder tails area: 100u"~200u" Tin(Matte)

**ELECTRICAL**

Voltage proof: 1000V AC max

Current contact: 3 A

Contact resistance: 20 mohms max

Insulation resistance: 100 Meg ohms initial

Temperature range: -40°C TO +105°C

Mating cycles: 50 cycles

Part no. 415 A H 04 R T T M 1 0 A A 3  
1 2 3 4 5 6 7 8 9 10 11 12

**1.Series no.**

415=CM50

2.A=DIP Type

3.Green option:

H=RoHS+HF (Matte Platted)

4.Contact number:

04= 4 Pin

5.Contact type:

R=Male(PA6T)

**6.Contact area plating:**

T=100u"~200u" Tin(Matte)

7.Solder tails area plating:

T=100u"~200u" Tin(Matte)

**8.Apply type:**

M1=Right Angle

9.Shell plating:

0=No Shell

10.Polarization:

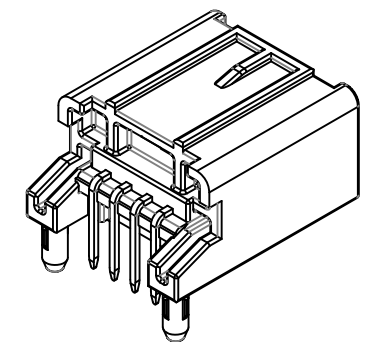
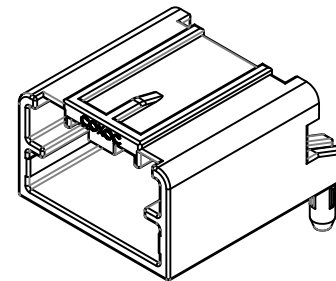
A=Polarization A

11.Packing style:

A=Tray

12.Insulator color:

3=Black



○ For SIP  
○(ST) For CmK/Cpk

UNLESS OTHERWISE SPECIFIED TOLERANCE	
ANG.	±2°
0.	±0.3
.0	±0.2
.00	±0.1

SCALE: AS SHOWN UNIT: mm

DRAWN Phoebe 03/20/19

CHECKED / /

APPROVED / /

SIZE A4 REV. A



CHANT SINCERE CO.,LTD  
TEL:886-02-86471251 FAX:886-02-86472962

DRAWN NAME: PDR-18089

CM50 SINGLE ROW R/A  
HEADER ASSEMBLY 1/2

PRODUCT NO. 415AH04RTTM10AA3

FILE NAME: P-415AH04RTTM10AA3

REV.	DESCRIPTION	DATE	SIZE	REV.	FILE NAME
1			A4	A	P-415AH04RTTM10AA3