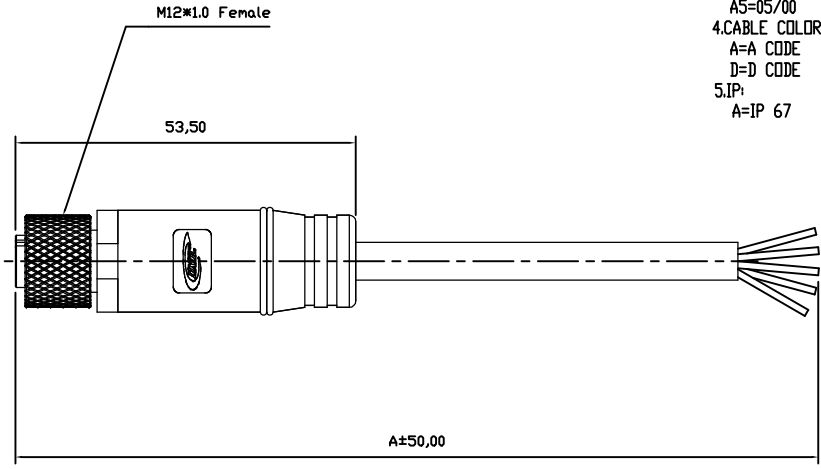
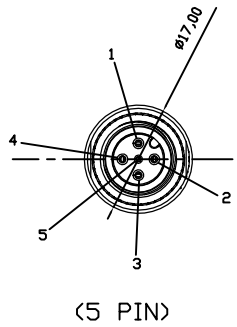
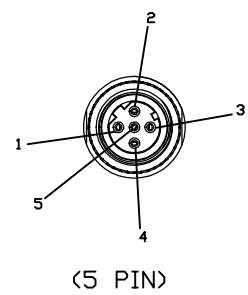
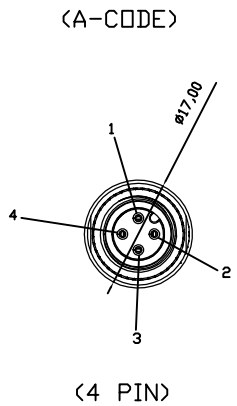
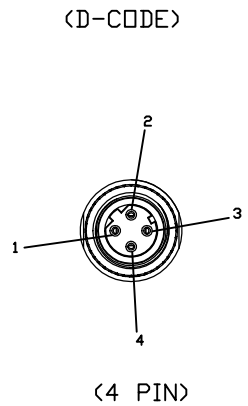
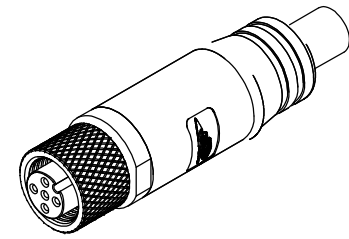


**SPECIFICATION**  
**MATERIAL**  
 Insulator: thermal plastic, rated UL94V-0  
 Contacts: Copper Alloy  
 Contacts type: SOLDER type  
 metal parts: steel with Ni plating  
 Cable: PVC with UV/Oil resistant, flame resistance UL-EI38961  
 Contacts plating  
 Underplate: 50u"~100u" Nickel  
 Contact area: 1u" gold  
 Solder tails area: 100u" ~ 200u" Tin  
**General Data**  
 standard/Regulation: M12 connector IEC 61076-2-101  
 coding: A-standard  
 Number of position: 5  
 AWG Singal line: 22~24  
 Current rating: 4 Amps max.  
 Insulation resistance: 100 Mohms min @ 500 VDC  
 Degree of protection: IP 67  
 Temperature range: -20°C TO +85°C  
 Mating cycles: 100 Insertions



- 1 -brown
- 2 -white
- 3 -black
- 4 -blue
- 5 -green/yellow

Part no. CW 02 XX X A A A01 E XM  
 1 2 3 4 5 6 7 8 9

- 1.SERIES NO. CW=WATER PROOF SERIES CABLE
- 2. CONNECTOR OPTION 02=M12 CABLE 180° F/FREE END
- 3. PIN COUNT A4=04/00 A5=05/00
- 4.CABLE COLOR A=A CODE D=D CODE 5.IP: A=IP 67
- 6. AWG CONDUCT COD A=22 AWG
- 7.SPECIAL SPEC. DESCRIPTION A01= CALBE LENGTH INCLUDE CONNECTOR. E=RoHS.
- 9. Lenht. Exa. 1M5=1.5M

UNLESS OTHERWISE SPECIFIED TOLERANCE	
ANG.	± 5°
0.	± 0.5
.0	± 0.3
.00	± 0.2
SCALE: AS SHOWN	UNIT: mm
DRAWN PEARL	11/15/2013
CHECKED	/ /
APPROVED	/ /



CHANT SINCERE CO.,LTD  
 TEL:886-02-86471251 FAX:886-02-86472962

DRAWN NAME: M12-4,5PIN Female 180° Cable

PRODUCT NO. CW02XXXXAA01EXMX

FILE NAME: CW02XXXXAA01EXMX

REV.	DESCRIPTION	DATE	SIZE	REV.	FILE NAME
1			A4	A	CW02XXXXAA01EXMX