

PART NO.

CN 61 1 3 A02 E XXX  
1 2 3 4 5 6 7

- 1.SERIES NO.  
CN=QSFP TYPE
- 2.CONNECTOR OPTION  
61=QSFP DD/QSFP DD
- 3.CONNECTOR TYPE  
1=M/M
- 4.CABLE COLOR  
3=BLACK
- 5.TYPE.
- 6.GREEN OPTION:  
E=RoHS
- 7.LENGTH NO.  
EX.50C=500mm  
1M0=1000mm  
1M5=1500mm

12	DUST COVER	LDPE, NATURAL	2
11	INNER MOLD	HOT-MELT GLUE	A/R
10	HEAT SHRINKABLE TUBE	φ17MM,	A/R
9	COPPER FOIL	6.4X0.05mm	2
8	SCREW	SUS304	4
7	SPRING	HANDED ROTATION, SWPB	4
6	PULL TAB	PA66 S1300, BLACK	2
5	LATCH	STAINLESS STEEL	2
4	BOTTOM SHELL	Zn ALLOY, PLATED Ni OVER Cu	2
3	TOP SHELL	Zn ALLOY, PLATED Ni OVER Cu	2
2	PCB ASSEMBLY	QSFP-DD PCBA, 76P, Au 15u"Min	2
1	RAW CABLE	LEONI, PARALINK-25s, 8PAIRS, PVC, BLACK, ROHS	A/R
ITEM	NAME	DESCRIPTION	Q'TY

ITEM	LENGTH /MM	CABLE SIZE
1	500±20	30AWG
2	1000±20	30AWG
3	1500±30	30AWG
4	2000±30	28AWG
5	2500±40	28AWG

UNLESS OTHERWISE SPECIFIED TOLERANCE  
 X± 0.50 X'± 5.0'  
 XX± 0.20 XX'± 3.0'  
 XXX± 0.10 XXX'± 2.0'  
 .XXX± 0.05 .XXX'± 1.0'

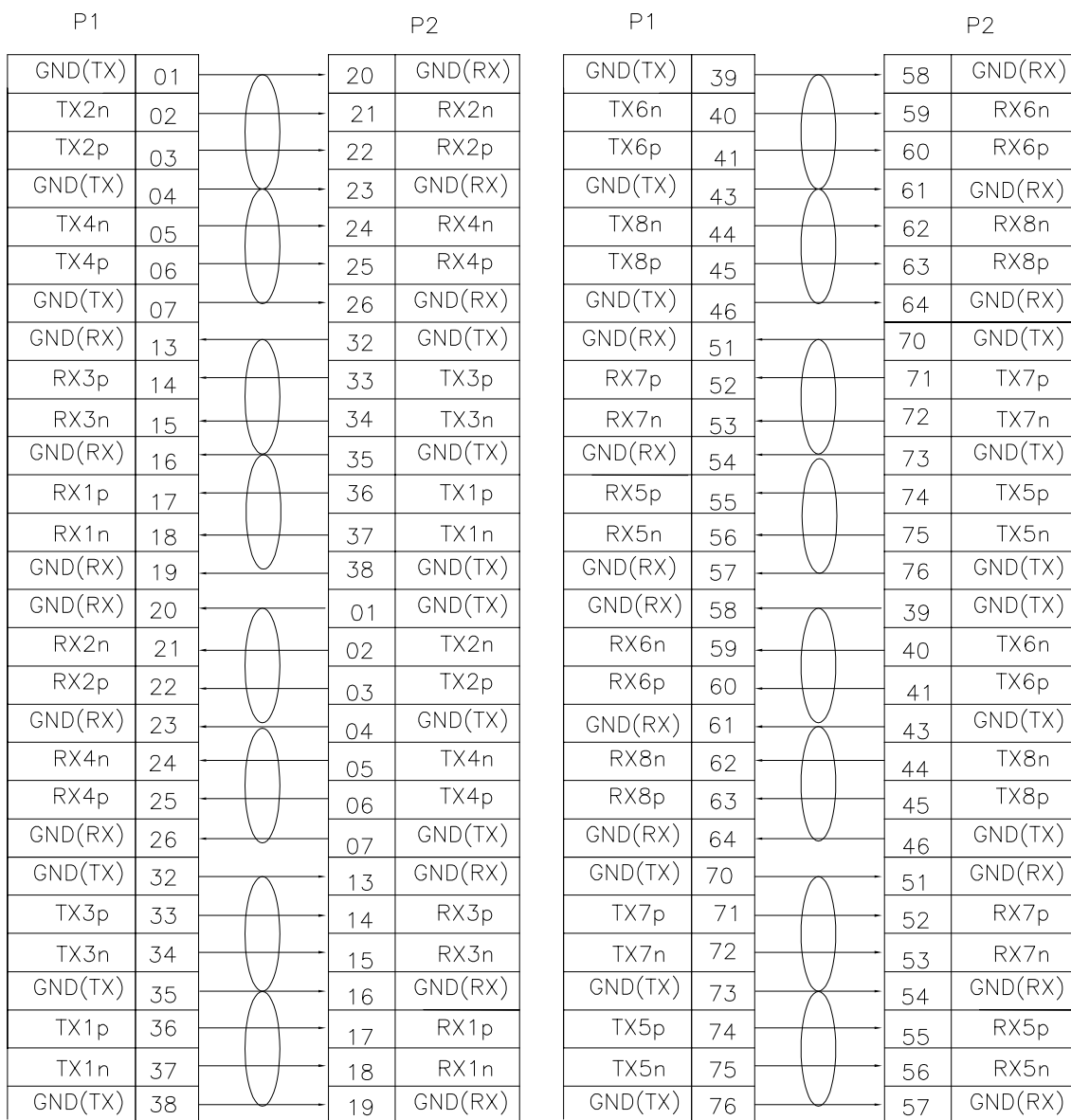


CHANT SINCERE CO.,LTD  
 TEL:886-02-86471251 FAX:886-02-86472962

For SIP

SCALE: AS SHOWN		UNIT: mm		DRAWN Pearl		05/03/2020		Title: QSFP-DD 200G DAC PASSIVE CABLE ASSEMBLY		1/4	
CHECKED				APPROVED				Part No. CN6113A02EXXX			
Zone		Revision		DESCRIPTION		DATE		Code: P09		Customer:	
1		2		3		4		5		6	
	X1	ECR-203008(Howard)					05/03/2020				

WIRING TABLE



LOW SPEED SIGNALS	
P1 & P2	
08	ModSell
09	ResetI
10	VccRx
11	SCL
12	SDA
27	ModPrsL
28	IntL
29	VccTx
30	Vcc1
31	LPMode
46	RESERVED 2
47	NC
48	VCCRX1
49	NC
50	NC
65	NC
66	RESERVED1
67	VccTx1
68	Vcc2
69	RESERVED

- NOTE:**
1. CABLE ASSEMBLY IMPEDANCE: 100±10 ohm.
  2. 100% CONDUCTOR TEST, TEST CONDITION:VOLTAGE 5V, INSULATION RESISTANCE 10M ohm, CONDUCTION RESISTANCE MAX 3 ohm
  3. HIGH-FREQUENCY TEST ACCORDING TO IEEE802.3cd STANDARD.
  4. ALL MATERIAL MUST COMPLY WITH ROHS

UNLESS OTHERWISE SPECIFIED TOLERANCE	
X ± 0.50	X* ± 5.0'
X ± 0.20	X* ± 3.0'
.XX ± 0.10	.XX* ± 2.0'
.XXX ± 0.05	.XXX* ± 1.0'

SCALE: AS SHOWN UNIT: mm

DRAWN Pearl 05/03/2020

CHECKED

APPROVED

DATE 05/03/2020

SIZE A4 REV. X1



**CHANT SINCERE CO.,LTD**  
TEL:886-02-86471251 FAX:886-02-86472962

Title: QSFP-DD 200G DAC PASSIVE CABLE ASSEMBLY

Part NO. CN6113A02EXXX

Code: P09

Customer:

Zone	Revision	DESCRIPTION	DATE	SIZE	REV.	Code	Customer
1	X1	ECR-203008(Howard)	05/03/2020	A4	X1	P09	

# EEPROM DATA

EEPROM Data Address	Parameter Data code (HEX)
0	18
1	30
2	80
3	03
4~84	00
85	03
86	1D
87	01
88	88
89	01
90	1C
91	01
92	44
93	11
94	1B
95	01
96	22
97	55
98	18
99	01
100	11
101	FF
102	14
103	01
104	11
105	FF
106	1A
107	01
108	44
109	11
110	17
111	01
112	44
113	11
114	FF
115~127	00

EEPROM Data Address	Parameter Data code (HEX)	Internal Reference Content	Ref. Value	Notes / Description
128	18	24		Identifier
129	4F	79	O	
130	45	69	E	
131	4D	77	M	
132	20	32		
133	20	32		
134	20	32		
135	20	32		
136	20	32		
137	20	32		
138	20	32		
139	20	32		
140	20	32		
141	20	32		
142	20	32		
143	20	32		
144	20	32		
145	00	0		
146	00	0		
147	00	0		
148	31	49	1	
149	30	48	0	
150	2D	45	-	
151	31	49	1	
152	39	57	9	
153	31	49	1	
154	39	57	9	
155	31	49	1	
156	31	49	1	
157	30	48	0	
158	30	48	0	
159	30	48	0	
160	34	52	4	
161	2D	45	-	
162	**	#NUMNUM		
163	**	#NUMNUM		

164	58	88	X	rev
165	31	49	1	
166	20	32		
167	20	32		
168	20	32		
169	20	32		
170	20	32		
171	20	32		
172	20	32		
173	20	32		
174	20	32		
175	20	32		
176	20	32		
177	20	32		
178	20	32		
179	20	32		
180	20	32		
181	20	32		
182	20	32		
183	20	32		
184	20	32		
185	20	32		
186	20	32		
187	20	32		
188	20	32		
189	20	32		
190	20	32		
191	20	32		
192	20	32		
193	20	32		
194	20	32		
195	20	32		
196	20	32		
197	20	32		
198	20	32		
199	20	32		

200	00	0		
201	01	1		power
202	**	#NUM		length
203	23	35		Connector
204	**	#NUM		5GI. L.
205	**	#NUM		7GI. L.
206	**	#NUM		12. 9GI. L.
207	**	#NUM		25. 8GI. L.
208	00	0		
209	00	0		
210	00	0		Lane Inform
211	02	2		
212	0A	10		Medio I
213	00	0		
214	00	0		
215	00	0		
216	00	0		Reserv ed
217	00	0		
218	00	0		
219	00	0		
220	00	0		
221	00	0		Custom
222	**	#NUMNUM		Check s

223	00	0	0	ALL
224	00	0	0	ALL
225	00	0	0	ALL
226	00	0	0	ALL
227	00	0	0	ALL
228	00	0	0	ALL
229	00	0	0	ALL
230	00	0	0	ALL
231	00	0	0	ALL
232	00	0	0	ALL
233	00	0	0	ALL
234	00	0	0	ALL
235	00	0	0	ALL
236	00	0	0	ALL
237	00	0	0	ALL
238	00	0	0	ALL
239	00	0	0	ALL
240	00	0	0	ALL
241	00	0	0	ALL
242	00	0	0	ALL
243	00	0	0	ALL
244	00	0	0	ALL
245	00	0	0	ALL
246	00	0	0	ALL
247	00	0	0	ALL
248	00	0	0	ALL
249	00	0	0	ALL
250	00	0	0	ALL
251	00	0	0	ALL
252	00	0	0	ALL
253	00	0	0	ALL
254	00	0	0	ALL
255	**	0	0	Check

- NOTES:  
 1. CHECK ADDRESS(222.255) IS AUTOMATICALLY GENERATED.  
 2. DATE ADDRESS(182~189) IS AUTOMATICALLY GENERATED ACCORDING TO BURNING TIME(PC SYSTEM).

UNLESS OTHERWISE SPECIFIED TOLERANCE  
 X ± 0.50 X' ± 5.0'  
 X ± 0.20 X' ± 3.0'  
 .XX ± 0.10 .XX' ± 2.0'  
 .XXX ± 0.05 .XXX' ± 1.0'



CHANT SINCERE CO.,LTD  
 TEL:886-02-86471251 FAX:886-02-86472962

SCALE: AS SHOWN UNIT: mm

DRAWN Pearl 05/03/2020

CHECKED

APPROVED

DATE 05/03/2020

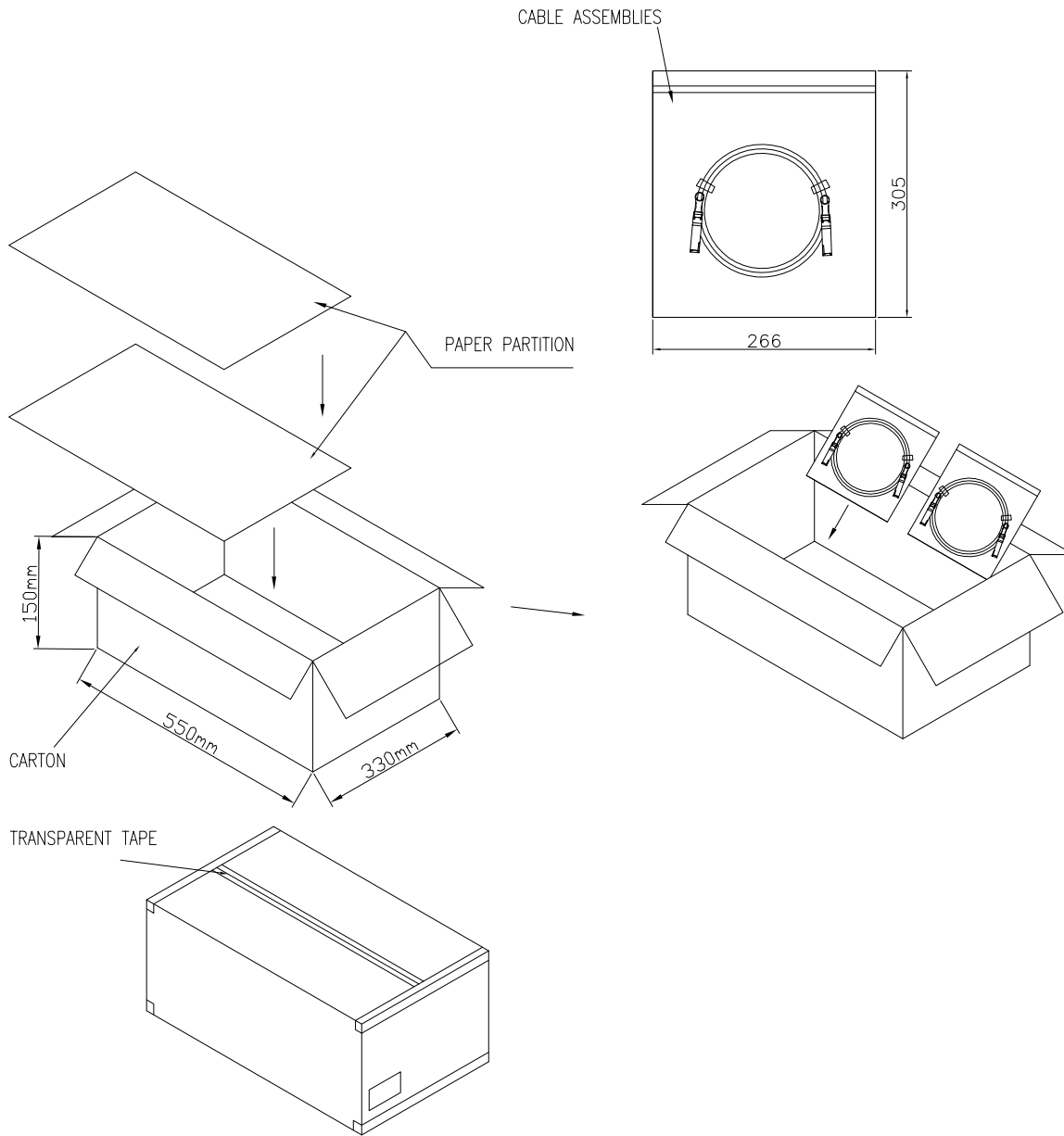
SIZE A4 REV. X1

Title: QSFP-DD 200G DAC PASSIVE CABLE ASSEMBLY 3/4

Part NO. CN6113A02EXXX

Code: P09 Customer:

Zone	Revision	DESCRIPTION	DATE	SIZE	REV.	Code	Customer:
X1	ECR-203008(Howard)		05/03/2020	A4	X1	P09	



NO.	DESCRIPTION	QTY
1	CARTON	1 PCS
2	BAG	1 PCS
3	CABLE	A/R
4	CARDBOARD	A/R

包裝要求:

1. 準備紙箱，底部放入隔板；
2. 將適量包裝直立放入紙箱中；
3. 裝箱不宜太擠；
4. 封箱

NO.	LENGTH /MM	QTY	G.W.
1	500±20	80	
2	1000±20	50	
3	1500±30	30	
4	2000±30	20	
5	2500±40	20	

UNLESS OTHERWISE SPECIFIED TOLERANCE  
 X ± 0.50 X' ± 5.0'  
 XX ± 0.20 XX' ± 3.0'  
 XXX ± 0.10 XXX' ± 2.0'  
 .XXX ± 0.05 .XXX' ± 1.0'

SCALE: AS SHOWN UNIT: mm

DRAWN Pearl 05/03/2020

CHECKED

APPROVED

DATE 05/03/2020

SIZE A4 REV. X1



CHANT SINCERE CO.,LTD  
 TEL:886-02-86471251 FAX:886-02-86472962

Title: QSFP-DD 200G DAC PASSIVE CABLE ASSEMBLY 4/4

Part NO. CN6113A02EXXX

Code: P09 Customer:

Zone	Revision	DESCRIPTION	DATE	SIZE	REV.	Code	Customer
1	X1	ECR-203008(Howard)	05/03/2020	A4	X1	P09	