

- NOTE:
- 1.ELECTRICAL TEST:
    - 1.OPEN/SHORT100 %TEST.
    - 2.CONTACT RESISTANCE:1 OHM(MAX).
    - 3.INSULATION RESISTANCE:20 OHM (MIN).
    - 4.HI-POT:DC 300V/10mS.

PART NO.  
CN 31 1 3 A01 E XXX  
 1 2 3 4 5 6 7

- |                                    |   |
|------------------------------------|---|
| 1.SERIES NO.<br>CN=SFP+ TYPE       | 5.TYPE.<br>6.GREEN OPTION.<br>E=RoHS  |
| 2.CONNECTOR OPTION<br>31=SFP+/SFP+ | 7.LENGTH NO.<br>50C=500±30mm<br>1M0=1000± <sup>50</sup> / <sub>30</sub> mm<br>3M0=3000± <sup>100</sup> / <sub>60</sub> mm |
| 3.CONNECTOR TYPE<br>1=M/M          |   |
| 4.CABLE COLOR.<br>3=BLACK          |   |

For SIP

UNLESS OTHERWISE SPECIFIED TOLERANCE	
ANG.	±2°
0.	±0.50
.0	±0.30
.00	±0.20



**CHANT SINCERE CO.,LTD**  
 TEL:886-02-86471251 FAX:886-02-86472962

SCALE: AS SHOWN UNIT: mm

DRAWN Rita 26/02/2020

CHECKED Jason\_h 26/02/2020

APPROVED Lin 26/02/2020

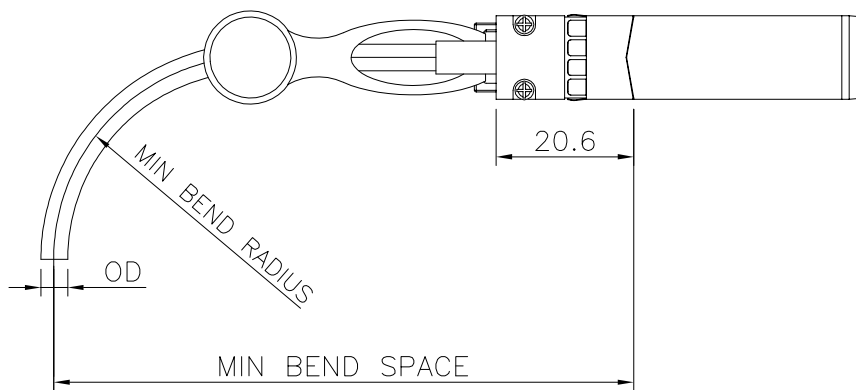
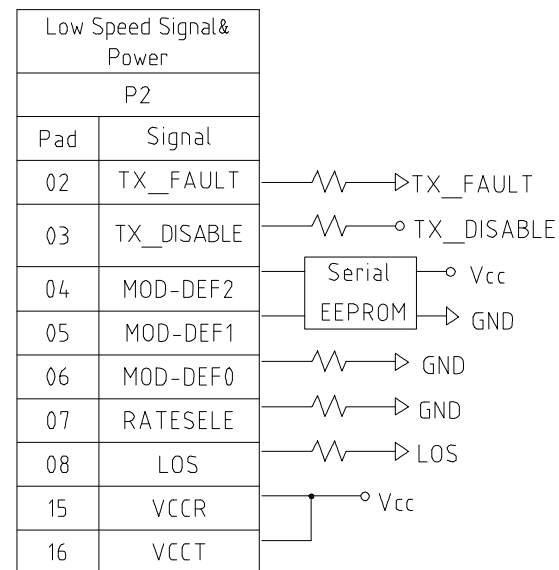
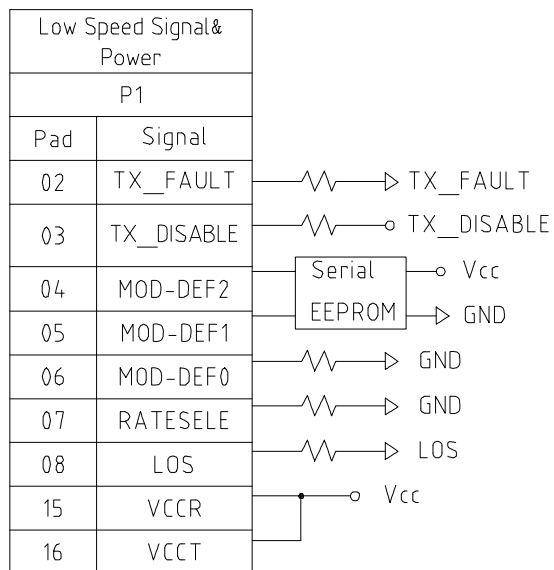
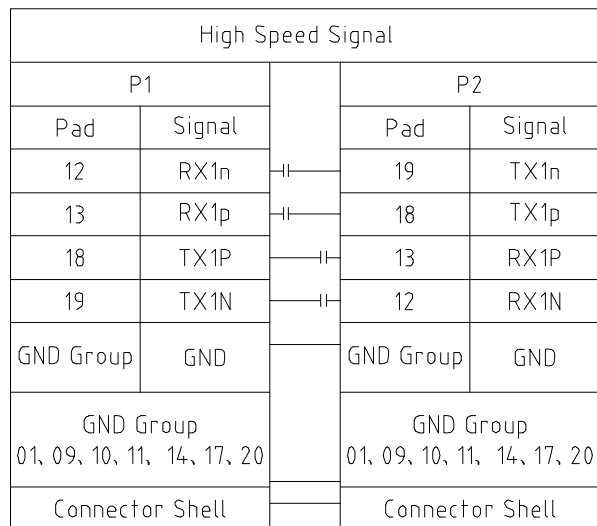
Title: SFP 25G Cable

Part NO. CN3113A01EXXX

Code: GB Customer:

Zone	Revision	DESCRIPTION	DATE
	X1	ECR-ECR-202044(Carol) New Drawn.	26/02/2020

# WIRING DIAGRAM



BEND RADII			
CABLE(AWG)	OD(mm)	MIN BEND RADII(mm)	MIN BEND SPACE
28	4.7	靜態5*OD 動態10*OD	靜態5*OD+15mm 動態10*OD+15mm

UNLESS OTHERWISE SPECIFIED TOLERANCE	
ANG.	±2°
0.	±0.50
.0	±0.30
.00	±0.20



**CHANT SINCERE CO.,LTD**  
TEL:886-02-86471251 FAX:886-02-86472962

SCALE: AS SHOWN	UNIT: mm
DRAWN Rita	26/02/2020
CHECKED Jason_h	26/02/2020
APPROVED Lin	26/02/2020
DATE	REV. X1

Title: SFP 25G Cable	2/2
Part NO. CN3113A01EXXX	C
Code: GB	Customer:

	X1	ECR-ECR-202044(Carol) New Drawn.	26/02/2020		
Zone	Revision	DESCRIPTION	DATE		SIZE A4