

NOTE:
 1.ELECTRICAL TEST:
 1.1.OPEN/SHORT100%TEST.
 1.2.CONTACT RESISTANCE:1Ω(MAX).
 1.3.INSULATION RESISTANCE:20MΩ (MIN).
 1.4.HI-POT:DC 300V/10mS.
 2.R2E=RoHS+RoHS2.0+REACH
 3.SFP MOULD NO:NEW
 4.HARNES MOULD NO:NEW

△ EEPROM Code:CISCO-COPQAA6JAB37-0961-03V03-1M. bin (For 1M0)

| 15 | DUST COVER | SFP DUST COVER-R2E | 2 | PCS |
|----|-------------|---|-------------|-----------|
| 14 | COPPER FOIL | CONDUCTIVE COPPER FOILW12*L25mm-R2E | 2 | PCS |
| 13 | H.S.T | HEAT SHRINK TUBE Ø5.0*L20mm-R2E | 2 | PCS |
| 12 | SPRING | SFP SPRING-R2E | 2 | PCS |
| 11 | DOWEL | SFP DOWEL-R2E | 2 | PCS |
| 10 | HARNES | SFP HARNES-R2E | 2 | PCS |
| 9 | LOCK | SFP LOCK-R2E | 2 | PCS |
| 8 | SCREW | SFP SCREW-R2E | 4 | PCS |
| 7 | PA66 | PA66 BLACK-R2E | 4 | G |
| 6 | TRL THERMEL | TRL THERMELT-867 BLACK-R2E | 6 | G |
| 5 | SHELL | SFP ZINE ALLOY SHELL NICKEL PLATED (DOWN)-R2E | 2 | PCS |
| 4 | SHELL | SFP ZINE ALLOY SHELL NICKEL PLATED (UP)-R2E | 2 | PCS |
| 3 | TIN | TIN Ø0.6mm-R2E | 0.15 | G |
| 2 | PCB | SFP PASSIVE PCB+SFP PCB 加工-R2E | 2 | PCS |
| 1 | CABLE | UL20276 (28#*2C+D+AM)*2+MYLAR+AL+BRAID+JACKET OD4.7 BLACK-R2E | 1080 | MM |
| NO | PART NO | TITLE | DESCRIPTION | Q'TY/UNIT |

PART NO.
 SERIES NO.
 CN=SFP+ TYPE
 CONNECTOR OPTION
 21=SFP+/SFP+
 CONNECTOR TYPE
 1=M/M

LENGTH NO.
 EX.30C=30cm
 1M0=1000mm
 1M5=1500mm
 3M0=3000mm
 GREEN OPTION:
 E=RoHS
 TYPE.
 CABLE COLOR
 3=BLACK

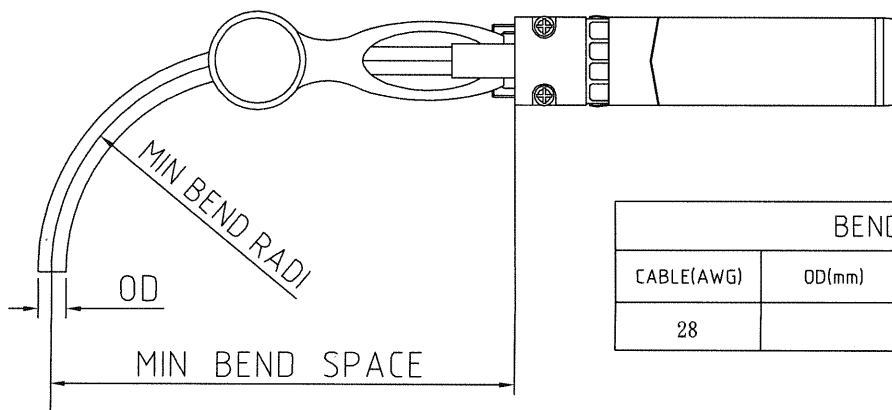
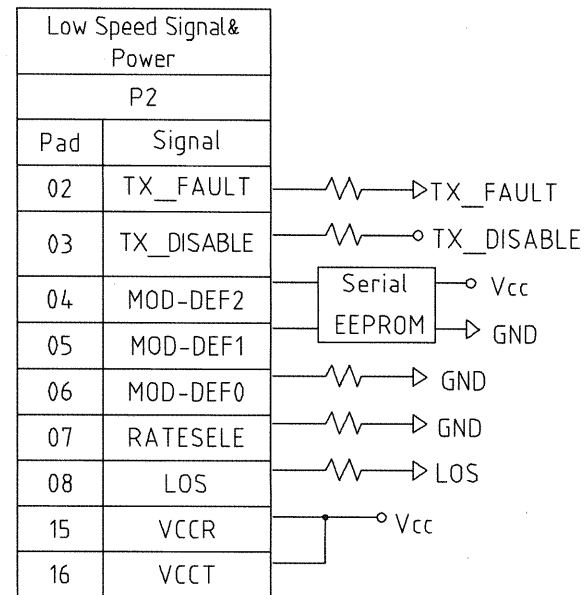
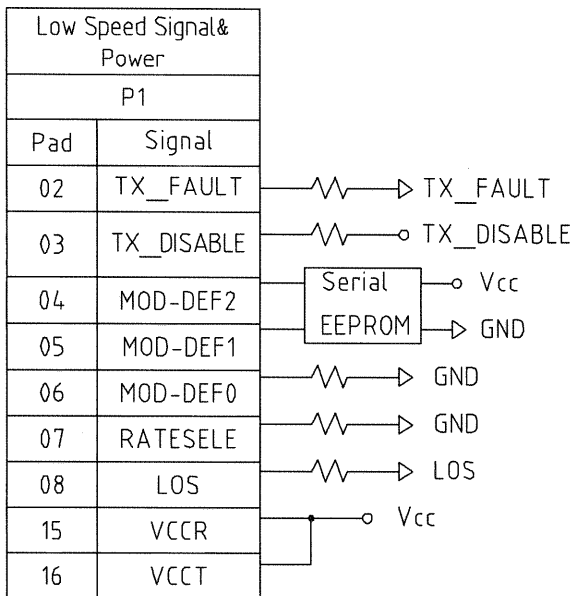
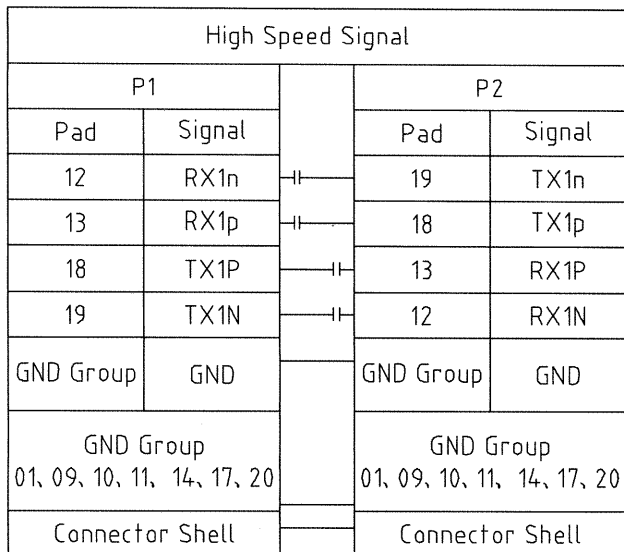
○ For SIP

| | |
|--------------------------------------|----------|
| UNLESS OTHERWISE SPECIFIED TOLERANCE | |
| ANG. | ± |
| 0. | ± |
| .0 | ±0.3 |
| .00 | ±0.2 |
| SCALE: AS SHOWN | UNIT: mm |

CHANT SINCERE CO.,LTD
 TEL:886-02-86471251 FAX:886-02-86472962

| | | | | | | | |
|-------|----------|-----------------------------------|------------|-----------------------|------------|---|-----------|
| (1,D) | B | ECN-199027(Carol) Add EEPROM Code | 11/09/2019 | DRAWN Phoebe | 11/09/2019 | Title: | |
| | A | ECN-198057(Liting)ADD DWG 3/3 | 26/08/2019 | CHECKED <i>Jason</i> | 26/9/2019 | SFP+ Passive Copper Cable Assembly 1/1 | |
| | X1 | ECR-188084(Jane) | 15/08/2018 | APPROVED <i>James</i> | 26/9/2019 | Part NO. CN2113B01EXXX | |
| Zone | Revision | DESCRIPTION | DATE | SIZE A4 | REV! B | Code: GB | Customer: |

WIRING DIAGRAM



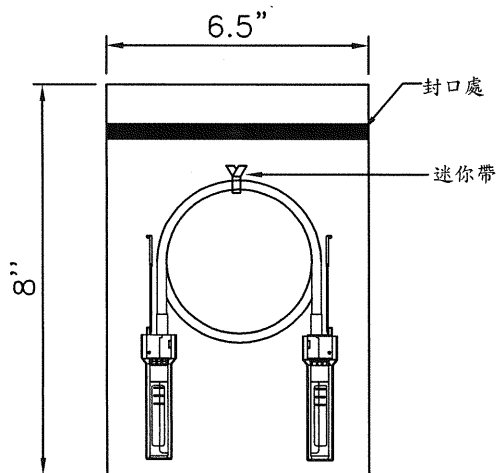
| BEND RADII | | | |
|------------|--------|--------------------|----------------|
| CABLE(AWG) | OD(mm) | MIN BEND RADII(mm) | MIN BEND SPACE |
| 28 | | | |



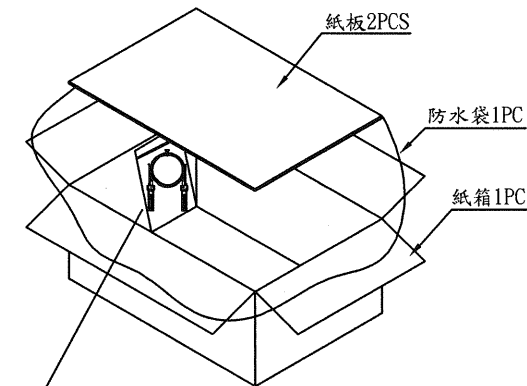
| UNLESS OTHERWISE SPECIFIED TOLERANCE | |
|--------------------------------------|------|
| ANG. | ± |
| 0. | ± |
| .0 | ±0.3 |
| .00 | ±0.2 |

CHANT SINCERE CO., LTD
 TEL: 886-02-86471251 FAX: 886-02-86472962

| Zone | Revision | DESCRIPTION | DATE | DRAWN | UNIT: | Title: |
|------|----------|--------------------------------------|------------|-----------------------|------------|---|
| | B | ECN-199027(Carol) See DWG 1/3 | 11/09/2019 | Phoebe | mm | |
| | A | ECN-198057(Liting)ADD DWG 3/3 | 26/08/2019 | CHECKED <i>Jason</i> | 11/09/2019 | SFP+ Passive Copper Cable Assembly 2/3 |
| | X1 | ECR-188084(Jane) | 15/08/2018 | APPROVED <i>James</i> | 26/9/2019 | Part NO. CN2113B01EXXX |
| | | | | SIZE A4 | REV. B | Code: GB Customer: |

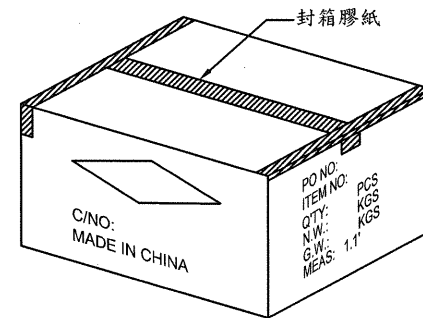


單PCS包裝視圖



(紙箱: 45.7*29.8*22.8cm-R2E 材質: K636K)

(裝箱數量: 100 PCS)




包裝說明:

1. 單PC包裝, PE袋需熱封口, 然後均勻放入紙箱內。
2. 裝箱時, 先在外箱內放入1PC隔板及1PC防水袋, 放入產品后, 上面再放1PC隔板, 再用膠紙封外箱。



| | |
|--------------------------------------|----------|
| UNLESS OTHERWISE SPECIFIED TOLERANCE | |
| ANG. | ± |
| 0. | ± |
| .0 | ±0.3 |
| .00 | ±0.2 |
| SCALE: AS SHOWN | UNIT: mm |



CHANT SINCERE CO., LTD
TEL: 886-02-86471251 FAX: 886-02-86472962

| | | |
|-----------------|------------------|---|
| Drawn: Phoebe | Date: 11/09/2019 | Title: |
| Checked: Jason | Date: 11/9/2019 | SFP+ Passive Copper Cable Assembly |
| Approved: James | Date: 11/9/2019 | Part NO. CN2113B01EXXX |
| Size: A4 | Rev: B | Code: GB |
| | | Customer: |

| | | | |
|------|----------|-------------------------------|------------|
| Zone | Revision | DESCRIPTION | DATE |
| | B | ECN-199027(Carol) See DWG 1/3 | 11/09/2019 |
| | A | ECN-198057(Liting)ADD DWG 3/3 | 26/08/2019 |