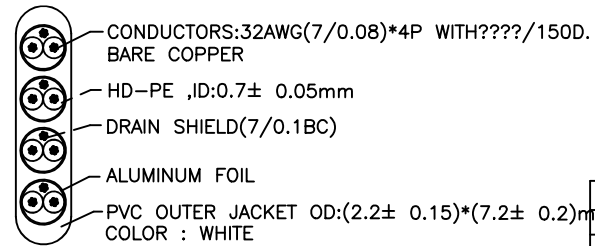
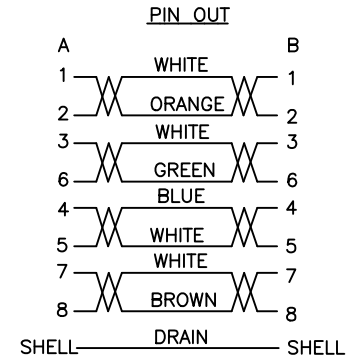


CAT.7 FLAT {32AWG(7/0.08BARE COPPER)WITH????/150D*1P+D(7/01BARE COPPER)+A}*4P



CORD SPECIFICATION

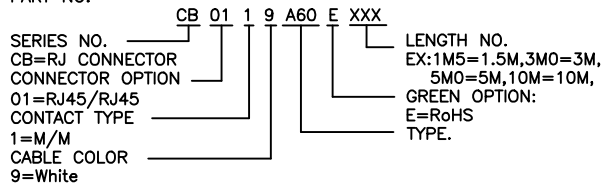
P/N:	L	T	绕线外径	绕线层数
CB0119A60E1M5	1500MM	±30MM	110±5	单层
CB0119A60E3M0	3000MM	±50MM	110±5	单层
CB0119A60E5M0	5000MM	±50MM	130±5	单层
CB0119A60E10M	10000MM	±80MM	120±5	双层



- NOTES:**
 1.ELECTRICAL TEST: 100% OPEN,SHORT & MISS WIRE TEST.
 2.CONDUCTOR RESISTANCE: 2~10 OHMS MAX. INSULATOR RESISTANCE:5M OHMS MIN.
 3.HI-POT:DC 300V 0.01sec.
 4. ALL MATERIAL FIT ROHS STANDARD(INCLUDE ALL PACKING OR OTHER MATERIAL).

No.	Name	Specifications	Company
3	Molding	PVC白色60P	1SET
2	Connector	短身全包铜壳镀金,短弹片,接头金片镀金3U"	2PCS
1	Cable	CAT.7 FLAT {32AWG(7/0.08BARE COPPER)WITH特多龙丝*1P+D(7/01BARE COPPER)+A}*4P,COLOR:WHITE.	XXXX MM

PART NO.



For SIP

UNLESS OTHERWISE SPECIFIED TOLERANCE ANG. ±5° 0. ±0.5 .0 ±0.3 .00 ±0.2		 CHANT SINCERE CO.,LTD TEL:886-02-86471251 FAX:886-02-86472962
SCALE: AS SHOWN	UNIT: mm	
DRAWN PEARL	07/07/2016	DRAWN NAME: CAT7 Cable
CHECKED		1/5
APPROVED		PRODUCT NO. CB0119A60EXXX
REV.	DESCRIPTION	DATE
		SIZE A4
		REV. X2
		FILE NAME: CB0119A60E(J10)