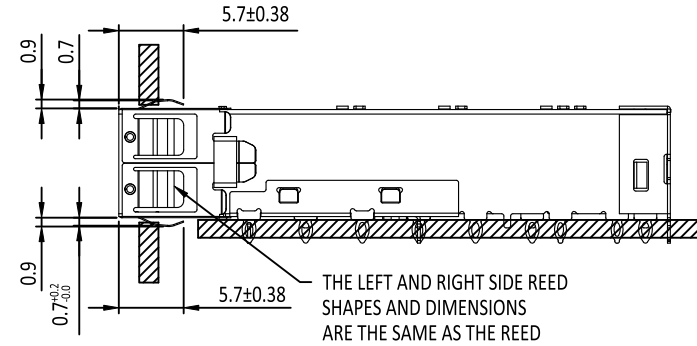
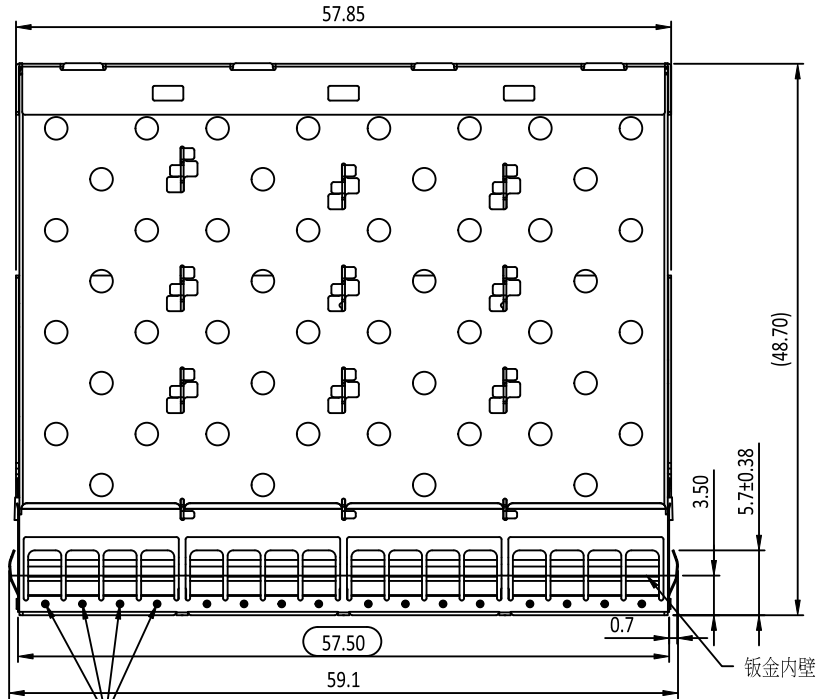


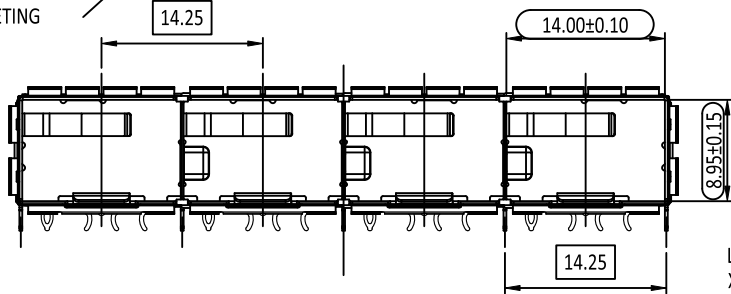
RoHS compliant



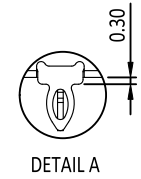
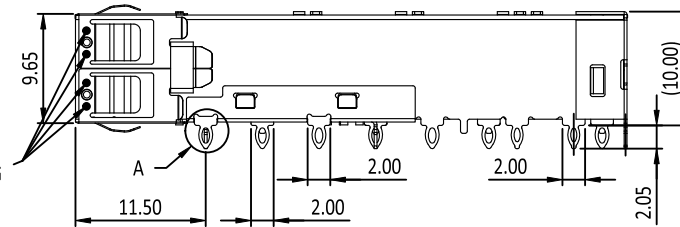
NOTES:
 1.MATERIAL: SILVER COPPER , THICKNESS 0.25mm
 2.PACKAGING: TRAY PACKAGING
 3.TEMPERATURE RANGE:
 OPERATING : -40°C TO +85°C
 NON OPERATING : -55°C TO +105°C



LASER RIVETING X16



LASER RIVETING X4



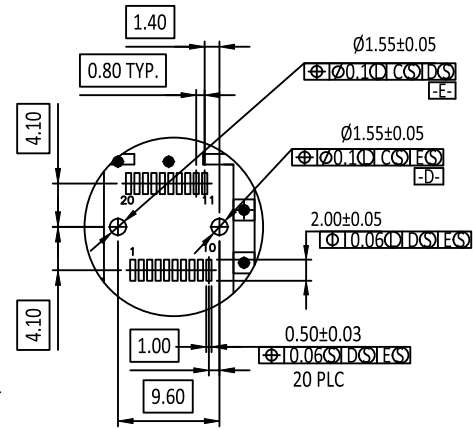
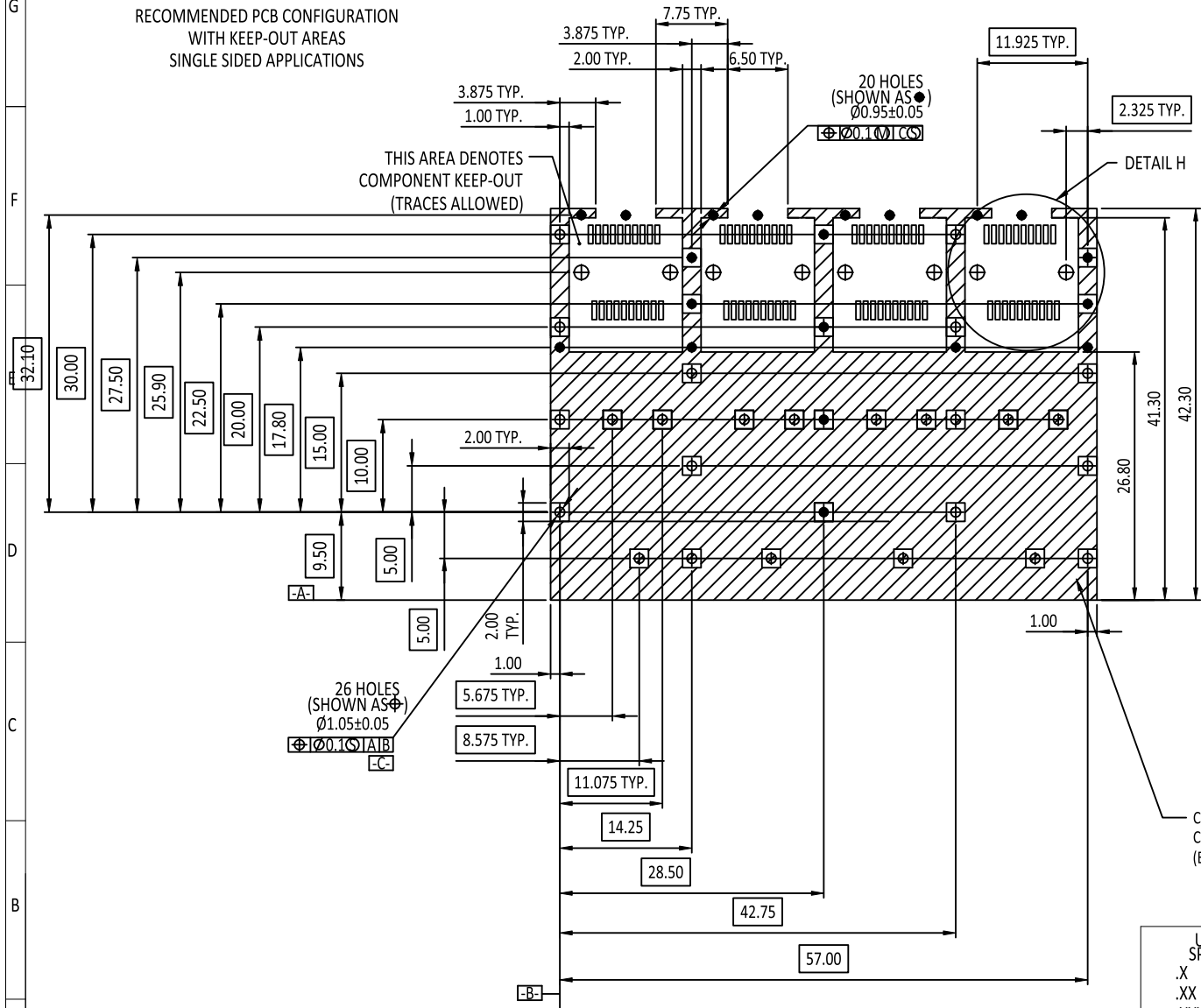
2				
1	59155060010	902GEA4S00C2N0A0	NI PLATING/SPRING	
ITEM	NEW P/N	OLD P/N	SHELL PLATING/TYPE	NOTE
UNLESS OTHERWISE SPECIFIED TOLERANCE			SIP Cmk Cpk	 CHANT SINCERE CO.,LTD
.X	±0.20	.X	±1°	
.XX	±0.15	.XX	±5°	
.XXX	±0.10			
SCALE:	AS SHOWN		UNIT:	mm
DRAWN:	KEVIN_ZHENG		27 Dec 2023	TITLE: PDR-
CHECKED:	PEARL_HUNG		26 Feb 2024	SFP+ CAGE .1x4
APPROVED:	PEARL_HUNG		26 Feb 2024	PART NO. 59155060010
ZONE	REVISION	DESCRIPTION	DATE	CODE: X07 CUSTOMER:
1	2	3	4	5
6	7	8	9	10

C	ECN-2312077(JOLIN)NEW P/N	25DEC2023
C5, D1	B ECN-212011(CAROL)	02FEB2021
	A ECN-193029(JANE) RELEASE A VERSION	12AMR2019
ZONE	REVISION	DESCRIPTION
1	2	3
4	5	6

RoHS compliant



RECOMMENDED PCB CONFIGURATION
WITH KEEP-OUT AREAS
SINGLE SIDED APPLICATIONS



CROSS-HATCHED AREA DENOTES
COMPONENT AND TRACE KEEP-OUT
(EXCEPT CHASSIS GROUND)

UNLESS OTHERWISE SPECIFIED TOLERANCE		SIP
.X ±0.20	.X ±1°	Cmk Cpk
.XX ±0.15	.XX ±5°	
.XXX ±0.10		
SCALE: AS SHOWN	UNIT: mm	



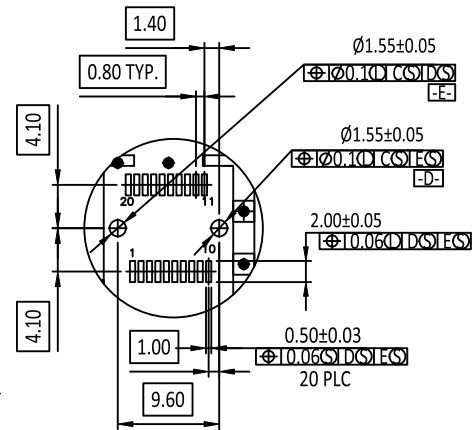
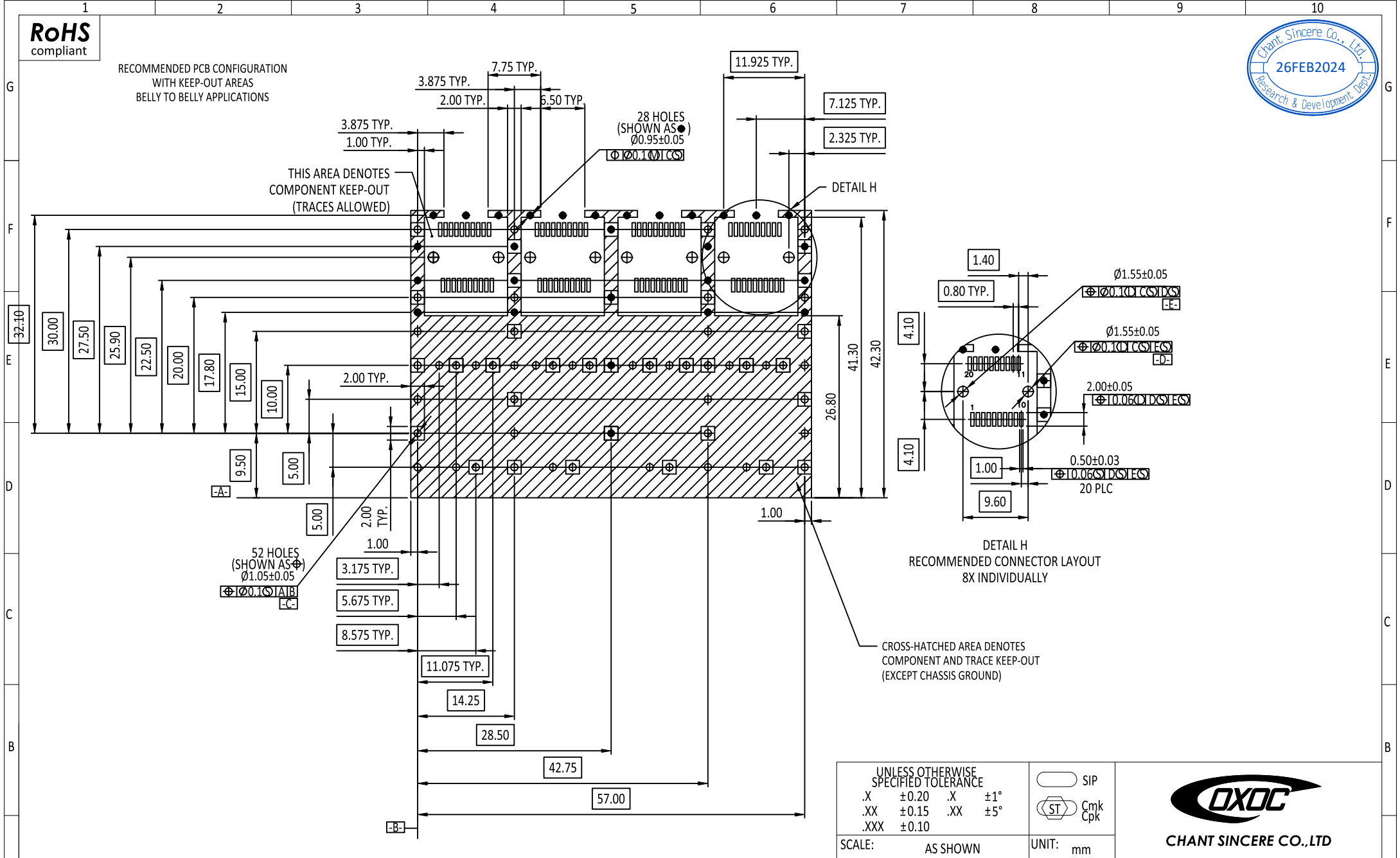
CHANT SINCERE CO.,LTD

	C	ECN-2312077(JOLIN)NEW P/N	25DEC2023	DRAWN: KEVIN_ZHENG	27 Dec 2023	TITLE: PDR-
	B	ECN-212011(CAROL)SEE PAGE 1/5	02FEB2021	CHECKED: PEARL_HUNG	26 Feb 2024	SFP+ CAGE .1x4
	A	ECN-193029(JANE) RELEASE A VERSION	12AMR2019	APPROVED: PEARL_HUNG	26 Feb 2024	PART NO. 59155060010
ZONE	REVISION	DESCRIPTION	DATE	SIZE A4	SHEET 2/5	REV. C
1	2	3	4	5	6	7
						8
						9
						10
						CUSTOMER:

RoHS compliant



RECOMMENDED PCB CONFIGURATION WITH KEEP-OUT AREAS BELLY TO BELLY APPLICATIONS

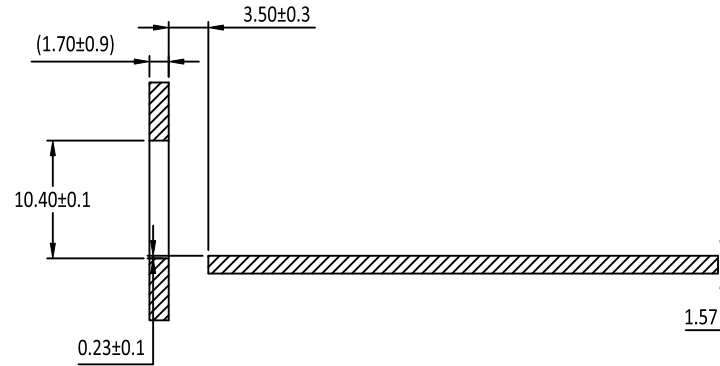
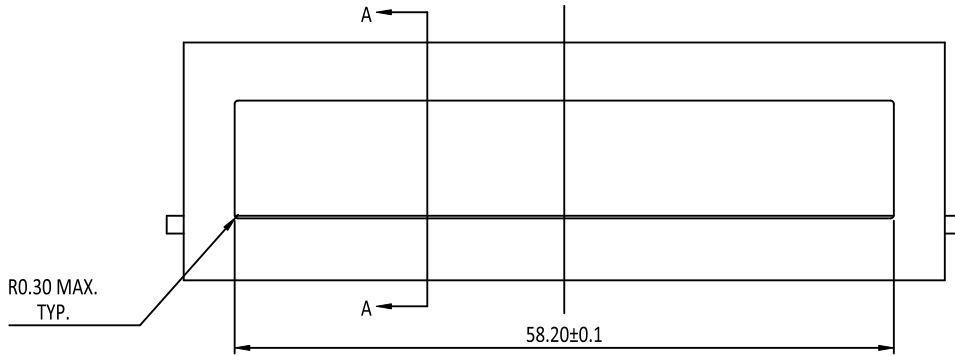


UNLESS OTHERWISE SPECIFIED TOLERANCE		SIP
.X ± 0.20	X $\pm 1^\circ$	Cmk Cpk
.XX ± 0.15	.XX $\pm 5^\circ$	
.XXX ± 0.10		
SCALE: AS SHOWN	UNIT: mm	

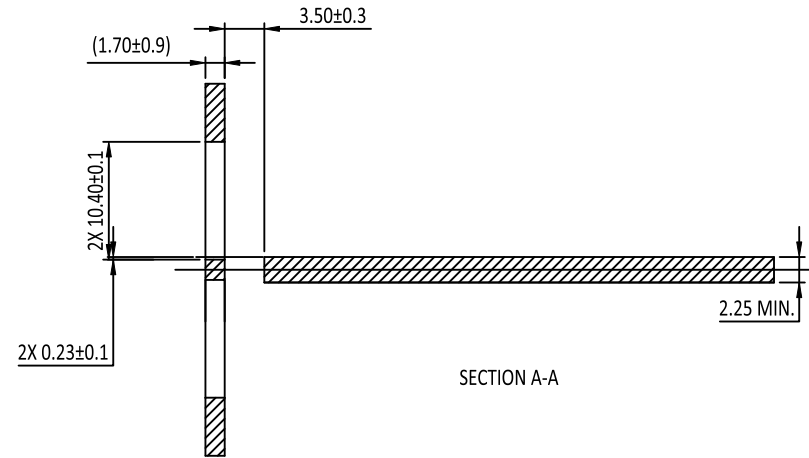
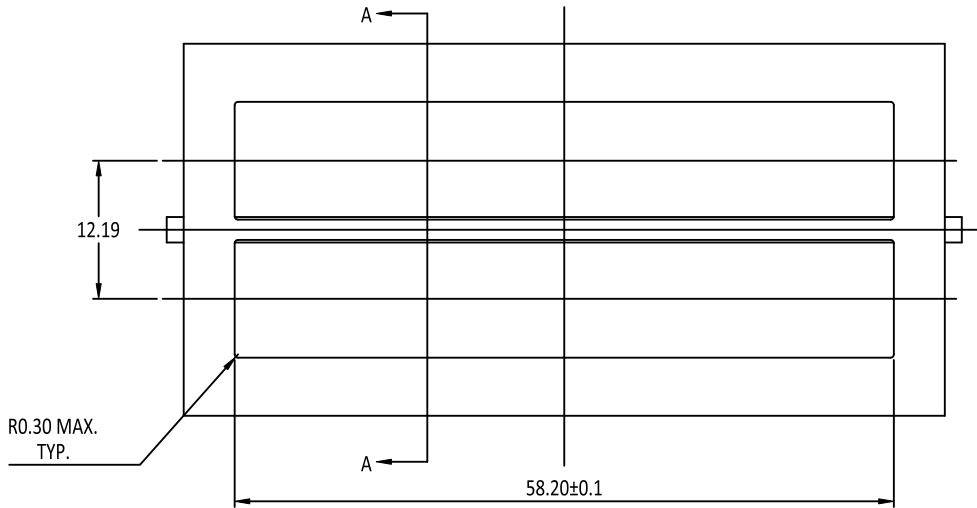


	C	ECN-2312077(JOLIN)NEW P/N	25DEC2023	DRAWN: KEVIN_ZHENG	27 Dec 2023	TITLE: PDR-
	B	ECN-212011(CAROL)SEE PAGE 1/5	02FEB2021	CHECKED: PEARL_HUNG	26 Feb 2024	SFP+ CAGE .1x4
	A	ECN-193029(JANE) RELEASE A VERSION	12AMR2019	APPROVED: PEARL_HUNG	26 Feb 2024	PART NO. 59155060010
ZONE	REVISION	DESCRIPTION	DATE	SIZE A4	SHEET 3/5	REV. C
1	2	3	4	5	6	7
						8
						9
						10
						CUSTOMER:

RoHS
compliant



RECOMMENDED BEZEL DESIGN
SINGLE SIDED APPLICATIONS



RECOMMENDED BEZEL DESIGN
BELLY TO BELLY APPLICATIONS

UNLESS OTHERWISE SPECIFIED TOLERANCE			
.X	±0.20	X	±1°
.XX	±0.15	.XX	±5°
.XXX	±0.10		



CHANT SINCERE CO.,LTD

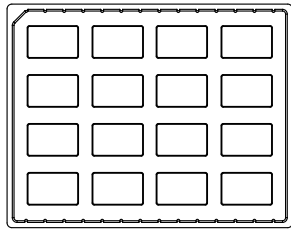
SCALE: AS SHOWN UNIT: mm

	C	ECN-2312077(JOLIN)NEW P/N		25DEC2023
	B	ECN-212011(CAROL)SEE PAGE 1/5		02FEB2021
	A	ECN-193029(JANE) RELEASE A VERSION		12AMR2019
ZONE	REVISION	DESCRIPTION		DATE

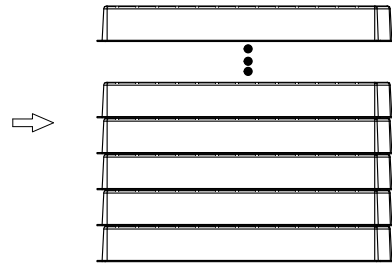
DRAWN:	KEVIN_ZHENG	27 Dec 2023
CHECKED:	PEARL_HUNG	26 Feb 2024
APPROVED:	PEARL_HUNG	26 Feb 2024
REV.	C	

TITLE:	PDR-
	SFP+ CAGE .1x4
PART NO.	59155060010
CODE:	X07
CUSTOMER:	

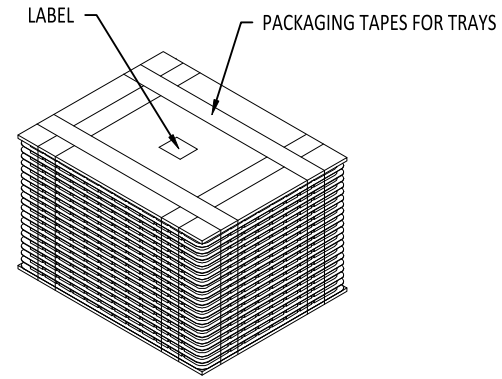
PACKAGE INFORMATION AND LABEL



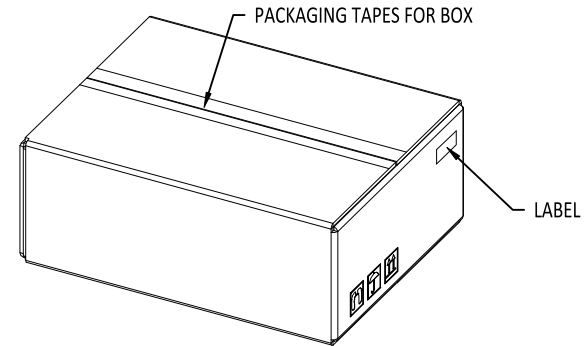
1. PRODUCTS IN TRAYS



2. TRAYS OVERLAY:
(THE NEXT TRAY NEED ROTATE 180 DEGREE AND PUT IT ON PREVIOUS TRAY.)
(相邻两个吸塑间水平方向成180度摆放)



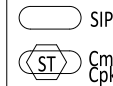
3. LABEL & PACKAGING TAPES FOR TRAYS:



4. LABEL & PACKAGING TAPES FOR BOX

PACKAGING LISTS	
ITEM	Q'TY
PRODUCT	128 PCS
TRAY	8 PCS
BOX(L340xW265xH200mm)	1 PCS
LABLE	2 PCS
PACKAGING TAPES	8 M (ABOUT)

UNLESS OTHERWISE SPECIFIED TOLERANCE			
.X	±0.20	X	±1°
.XX	±0.15	.XX	±5°
.XXX	±0.10		



SCALE: AS SHOWN UNIT: mm

	C	ECN-2312077(JOLIN)NEW P/N		25DEC2023
	B	ECN-212011(CAROL)SEE PAGE 1/5		02FEB2021
	A	ECN-193029(JANE) RELEASE A VERSION		12AMR2019
ZONE	REVISION	DESCRIPTION		DATE

DRAWN:	KEVIN_ZHENG	27 Dec 2023
CHECKED:	PEARL_HUNG	26 Feb 2024
APPROVED:	PEARL_HUNG	26 Feb 2024
SIZE	A4	SHEET 5/5
REV.	C	

TITLE:	PDR-
	SFP+ CAGE .1x4
PART NO.	59155060010
CODE:	X07
CUSTOMER:	