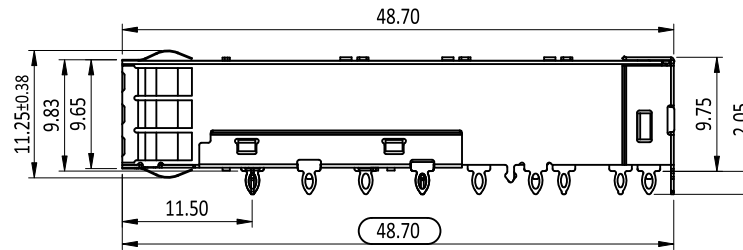
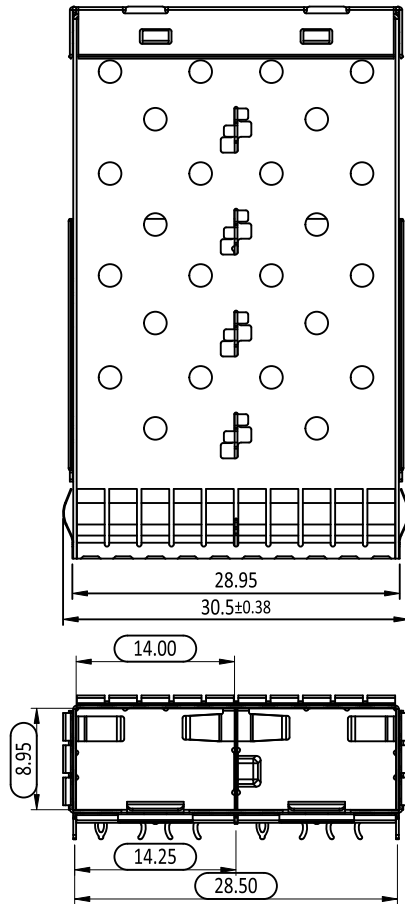


RoHS
compliant



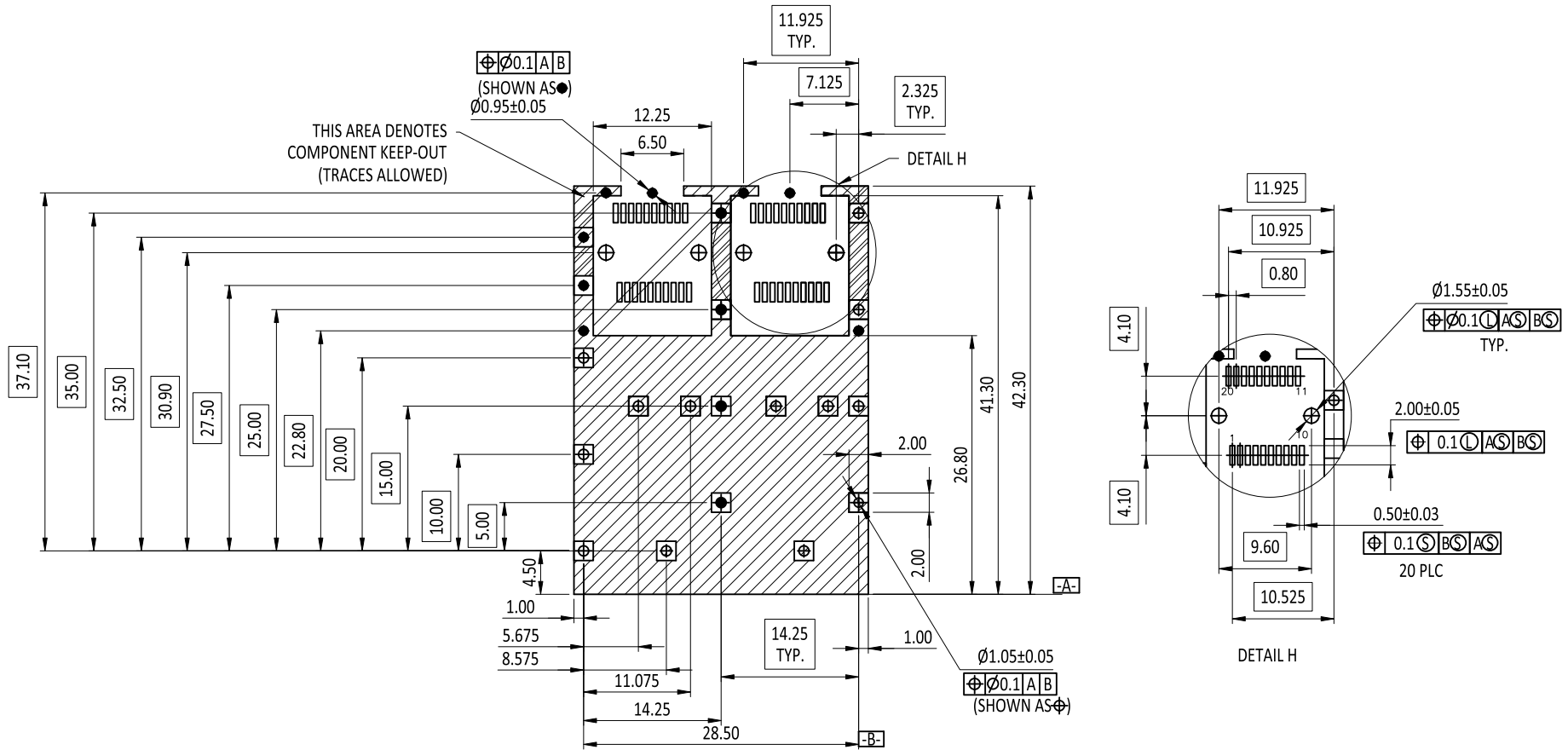
NOTES:

- 1. MATERIAL: COPPER ALLOY, NICKEL PLATED, THICKNESS 0.25mm
- 2. PACKAGING: TRAY PACKAGING
- 3. TEMPERATURE RANGE:
OPERATING : -40°C TO +85°C
NON OPERATING : -55°C TO +105°C



2					
1	59155050010	902GEA2S00C2N0A0	NI PLATING/SPRING		
ITEM	NEW P/N	OLD P/N	SHELL PLATING/TYPE	NOTE	
UNLESS OTHERWISE SPECIFIED TOLERANCE			SIP Cmk Cpk	CHANT SINCERE CO.,LTD	
.X	±0.20	.X			±1°
.XX	±0.15	.XX			±5°
.XXX	±0.10				
SCALE:	AS SHOWN		UNIT:	mm	
DRAWN:	KEVIN_ZHENG		DATE:	27 Dec 2023	
CHECKED:	PEARL_HUNG		DATE:	26 Feb 2024	
APPROVED:	PEARL_HUNG		DATE:	26 Feb 2024	
TITLE:			PDR-		
			SFP+ 1x2 CAGE		
PART NO.			59155050010		
CODE:			X07	CUSTOMER:	

	C	ECN-2312080(JOLIN)NEW P/N	26DEC2023
	B	ECN-2207031(QUEENIE)CHANGE OUTLINE	14JUL2022
	A	ECN-193031(JANE)RELEASE A VERSION	12MAR2019
ZONE	REVISION	DESCRIPTION	DATE
1	2	3	4

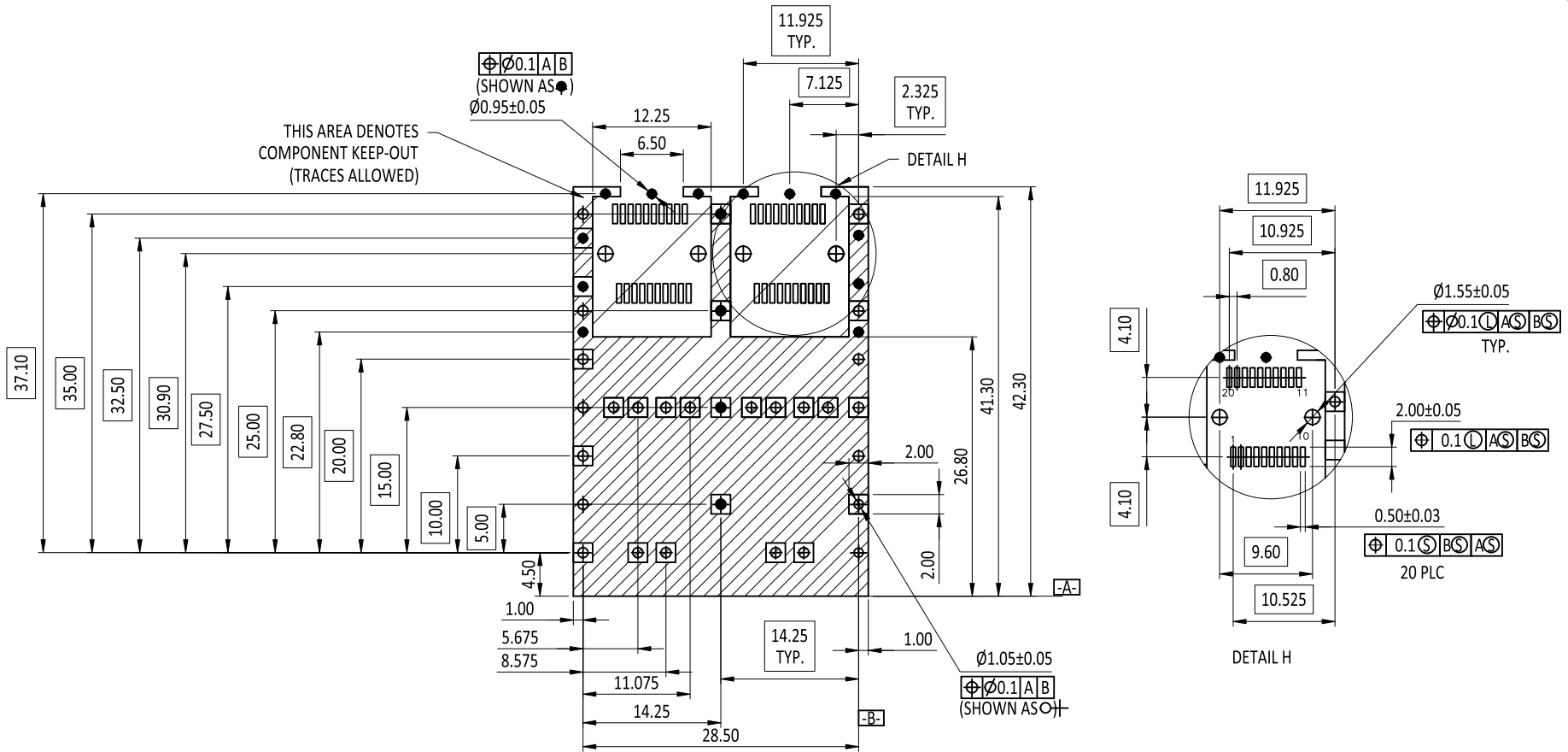


PCB LAYOUT FOR SINGLE SIDE MOUNTING

UNLESS OTHERWISE SPECIFIED TOLERANCE		SIP
.X ±0.20	.X ±1°	Cmk Cpk
.XX ±0.15	.XX ±5°	
.XXX ±0.10		
SCALE: AS SHOWN	UNIT: mm	

CHANT SINCERE CO., LTD

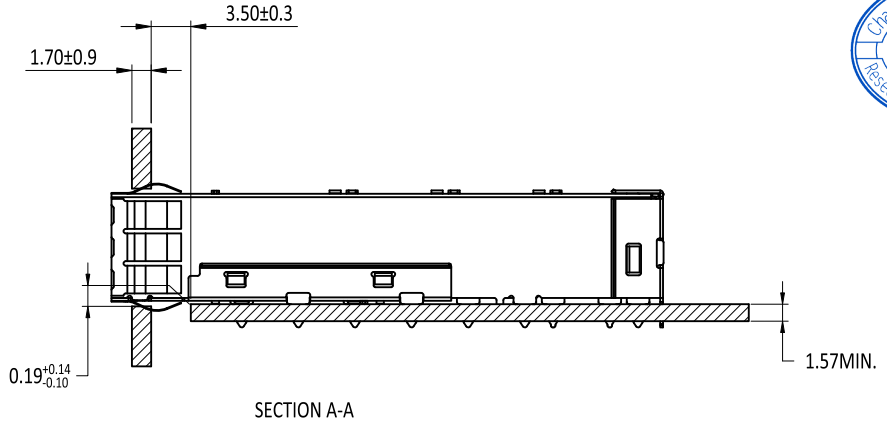
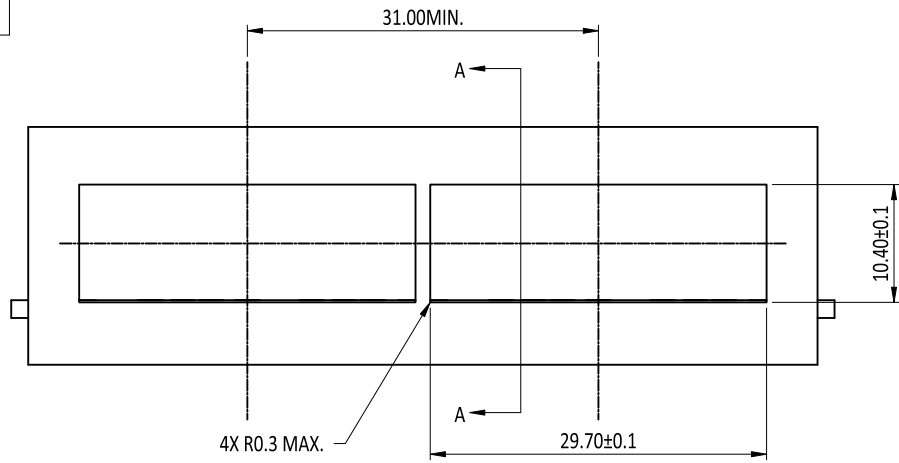
	C	ECN-2312080(JOLIN)NEW P/N	26DEC2023	DRAWN: KEVIN_ZHENG	27 Dec 2023	TITLE: PDR-
	B	ECN-2207031(QUEENIE)CHANGE OUTLINE	14JUL2022	CHECKED: PEARL_HUNG	26 Feb 2024	SFP+ 1x2 CAGE
	A	ECN-193031(JANE)RELEASE A VERSION	12MAR2019	APPROVED: PEARL_HUNG	26 Feb 2024	PART NO. 59155050010
ZONE	REVISION	DESCRIPTION	DATE	SIZE A4	SHEET 2/5	REV. C
1	2	3	4	5	6	7
						8
						9
						10
						CODE: X07
						CUSTOMER:



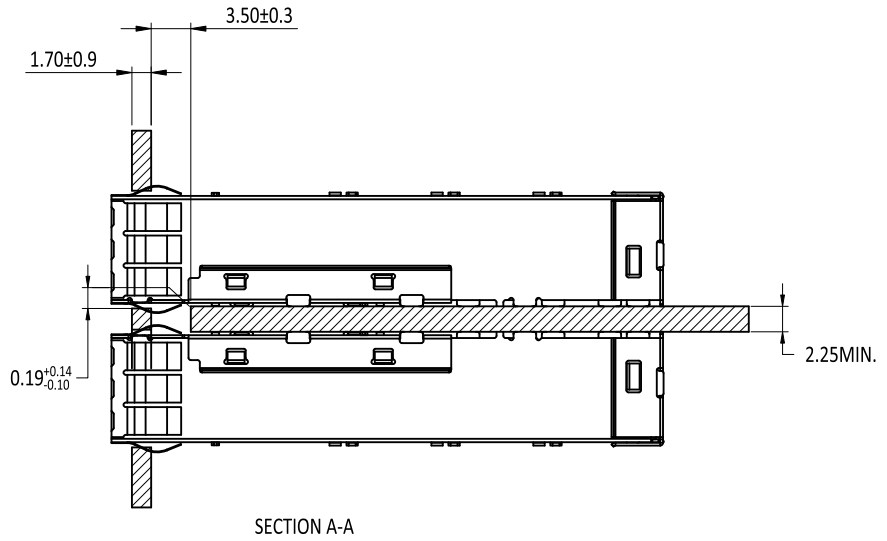
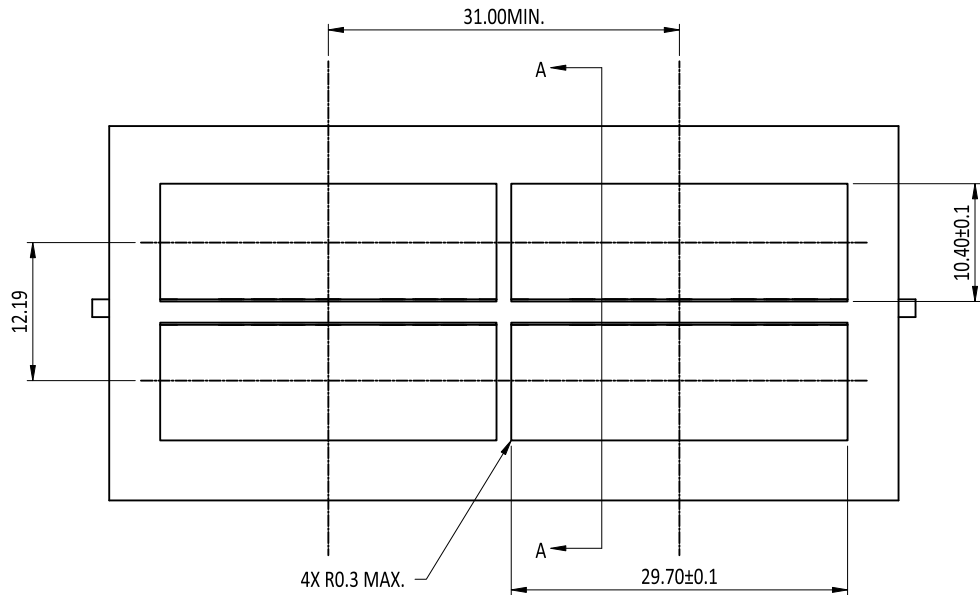
PCB LAYOUT FOR BELLY TO BELLY SIDE MOUNTING

UNLESS OTHERWISE SPECIFIED TOLERANCE		SIP		 CHANT SINCERE CO., LTD	
.X ±0.20	.X ±1°	ST Cmk Cpk			
.XX ±0.15	.XX ±5°				
.XXX ±0.10		SCALE: AS SHOWN	UNIT: mm		
C	ECN-2312080(JOLIN)NEW P/N	26DEC2023	DRAWN: KEVIN_ZHENG	27 Dec 2023	TITLE: PDR-
B	ECN-2207031(QUEENIE)CHANGE OUTLINE	14JUL2022	CHECKED: PEARL_HUNG	26 Feb 2024	SFP+ 1x2 CAGE
A	ECN-193031(JANE)RELEASE A VERSION	12MAR2019	APPROVED: PEARL_HUNG	26 Feb 2024	PART NO. 59155050010
ZONE	REVISION	DESCRIPTION	DATE	REV. C	CODE: X07 CUSTOMER:

RoHS compliant



RECOMMENDED BEZEL DESIGN
SINGLE SIDED APPLICATIONS



RECOMMENDED BEZEL DESIGN
BELLY TO BELLY APPLICATIONS

UNLESS OTHERWISE SPECIFIED TOLERANCE			
.X	±0.20	.X	±1°
.XX	±0.15	.XX	±5°
.XXX	±0.10		

- SIP
- ST Cmk Cpk



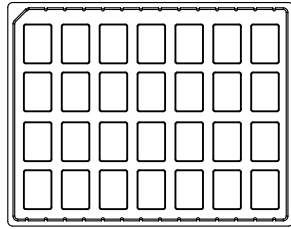
SCALE: AS SHOWN UNIT: mm

	C	ECN-2312080(JOLIN)NEW P/N	26DEC2023
	B	ECN-2207031(QUEENIE)CHANGE OUTLINE	14JUL2022
	A	ECN-193031(JANE)RELEASE A VERSION	12MAR2019
ZONE	REVISION	DESCRIPTION	DATE
1	2	3	4

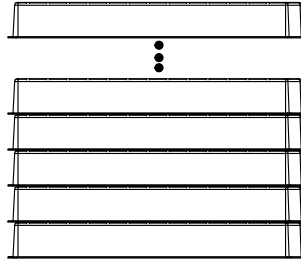
DRAWN:	KEVIN_ZHENG	27 Dec 2023
CHECKED:	PEARL_HUNG	26 Feb 2024
APPROVED:	PEARL_HUNG	26 Feb 2024
SIZE	A4	SHEET 4/5
REV.	C	

TITLE: PDR-	
SFP+ 1x2 CAGE	
PART NO.	59155050010
CODE: X07	CUSTOMER:

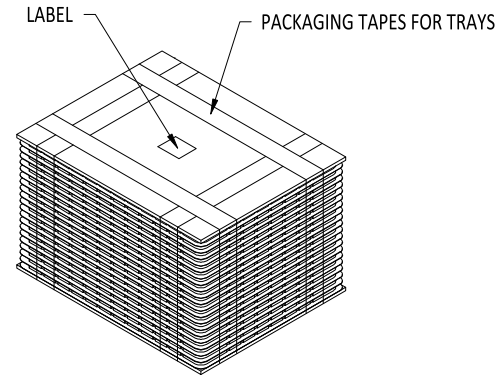
PACKAGE INFORMATION AND LABEL



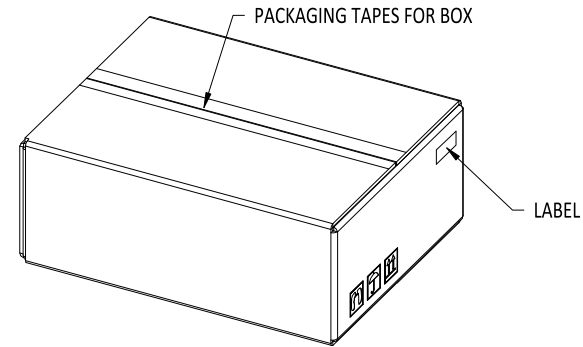
1. 28 PCS PRODUCTS IN TRAYS



2. 10 TRAYS OVERLAY



3. LABEL & PACKAGING TAPES FOR TRAYS:



4. LABEL & PACKAGING TAPES FOR BOX

PACKAGING LISTS	
ITEM	Q'TY
PRODUCT	224 PCS
TRAY	8 PCS
BOX(L340xW265xH200mm)	1 PCS
LABLE	2 PCS
PACKAGING TAPES	8 M (ABOUT)

ZONE	REVISION	DESCRIPTION	DATE	UNLESS OTHERWISE SPECIFIED TOLERANCE	SCALE:	AS SHOWN	UNIT:	mm
	C	ECN-2312080(JOLIN)NEW P/N	26DEC2023	.X ±0.20 .X ±1° .XX ±0.15 .XX ±5° .XXX ±0.10	DRAWN:	KEVIN_ZHENG	27 Dec 2023	
	B	ECN-2207031(QUEENIE)CHANGE OUTLINE	14JUL2022		CHECKED:	PEARL_HUNG	26 Feb 2024	
	A	ECN-193031(JANE)RELEASE A VERSION	12MAR2019		APPROVED:	PEARL_HUNG	26 Feb 2024	

CHANT SINCERE CO.,LTD

TITLE: PDR-	
SFP+ 1x2 CAGE	
PART NO.	59155050010
CODE: X07	CUSTOMER:

UNLESS OTHERWISE SPECIFIED TOLERANCE .X ±0.20 .X ±1° .XX ±0.15 .XX ±5° .XXX ±0.10	SIP Crmk Cpk
SCALE: AS SHOWN	UNIT: mm
DRAWN: KEVIN_ZHENG	27 Dec 2023
CHECKED: PEARL_HUNG	26 Feb 2024
APPROVED: PEARL_HUNG	26 Feb 2024
SIZE A4 SHEET 5/5	REV. C