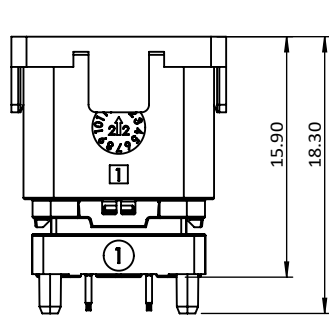
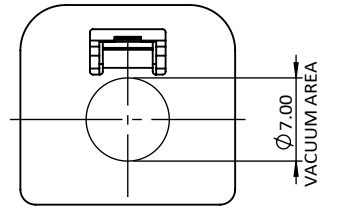
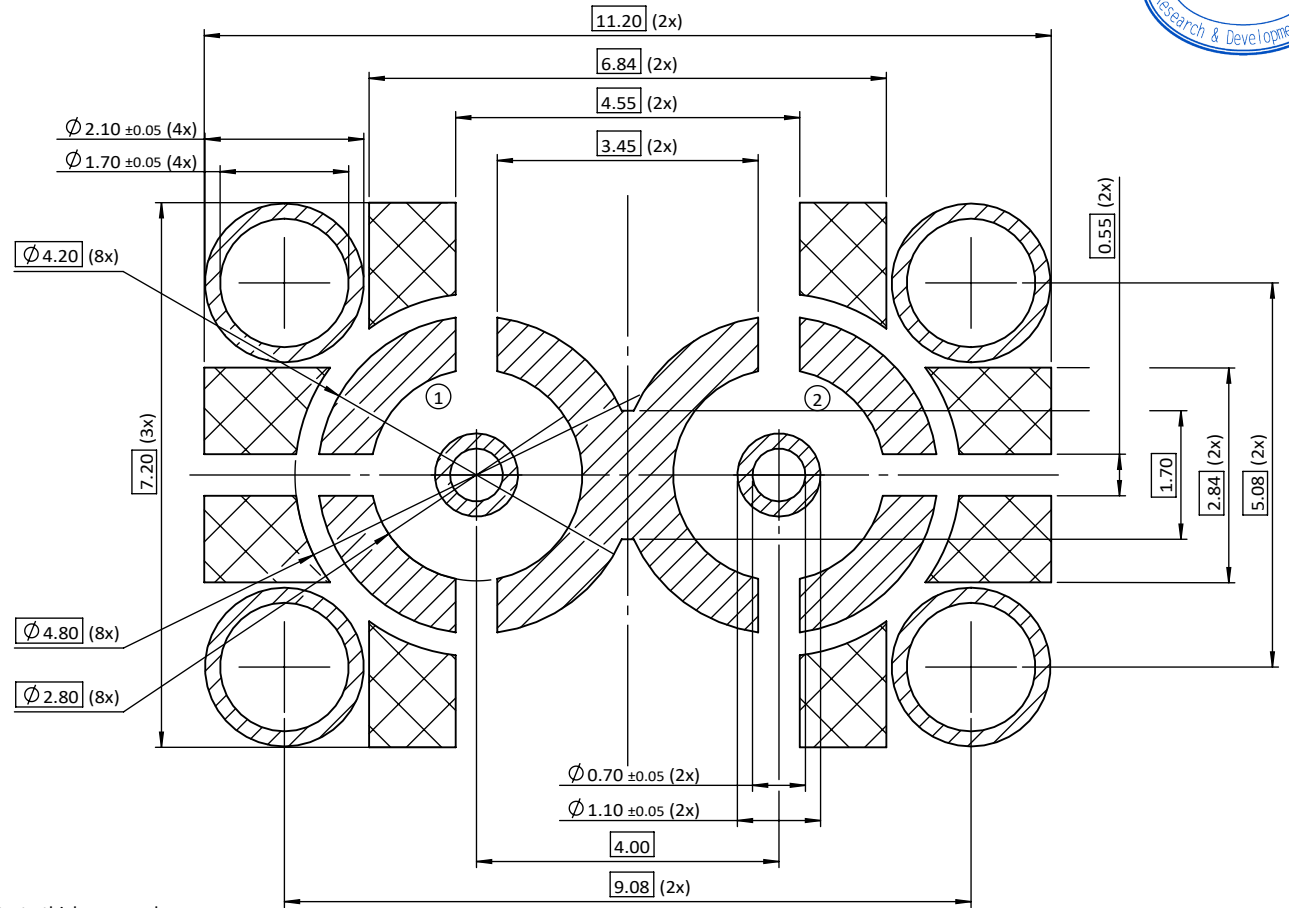
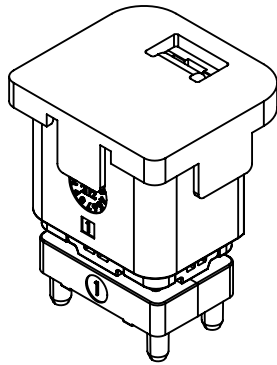


RoHS
compliant



WITH CAP



The stated dimensions are only recommendations.

A wide variety of transmissionline topologies and pcb-parameters like permittivity, substrate thickness, and board-stackup are applied by customers. These parameters have a strong impact on the high frequency performance of the mounted connector.

Please note, that the given layout is not optimised to fit all of the possible board configurations regarding RF-performance, it represents a recommendation for optimal solderability of the connector.

In order to guarantee optimal high frequency properties of the connector, an RF-analysis of the connector to board transition is recommended.

SCALE 10:1
RECOMMENDED PCB LAYOUT
TOLERANCES ±0.05mm

- SOLDER AREA 9x
- STAND OFF AREA, FREE OF SOLDER 8x

UNLESS OTHERWISE SPECIFIED TOLERANCE ANG. +5° 0. +0.50 .0 +0.30 .00 ±0.20	SIP
	Cmk Cpk
	SCALE: 2:1
	UNIT: mm
DRAWN: KEVIN_ZHENG	27 Mar 2025
CHECKED: JERRY_CHOU	10 Apr 2025
APPROVED: JERRY_CHOU	03 Jun 2025
	SIZE A4 SHEET 3/3

CHANT SINCERE CO.,LTD	
TITLE: PDR-23005	
Mini FAKRA AM Plug-1x2-Vertical	
PART NO.	5420204001X
CODE:	CUSTOMER: FIH

ZONE	REVISION	DESCRIPTION	DATE	SIZE	SHEET	REV.	CUSTOMER
1	A	ECN-2503115(CAROL)NEW DRAWN	25MAR2025	A4	3/3	A	FIH