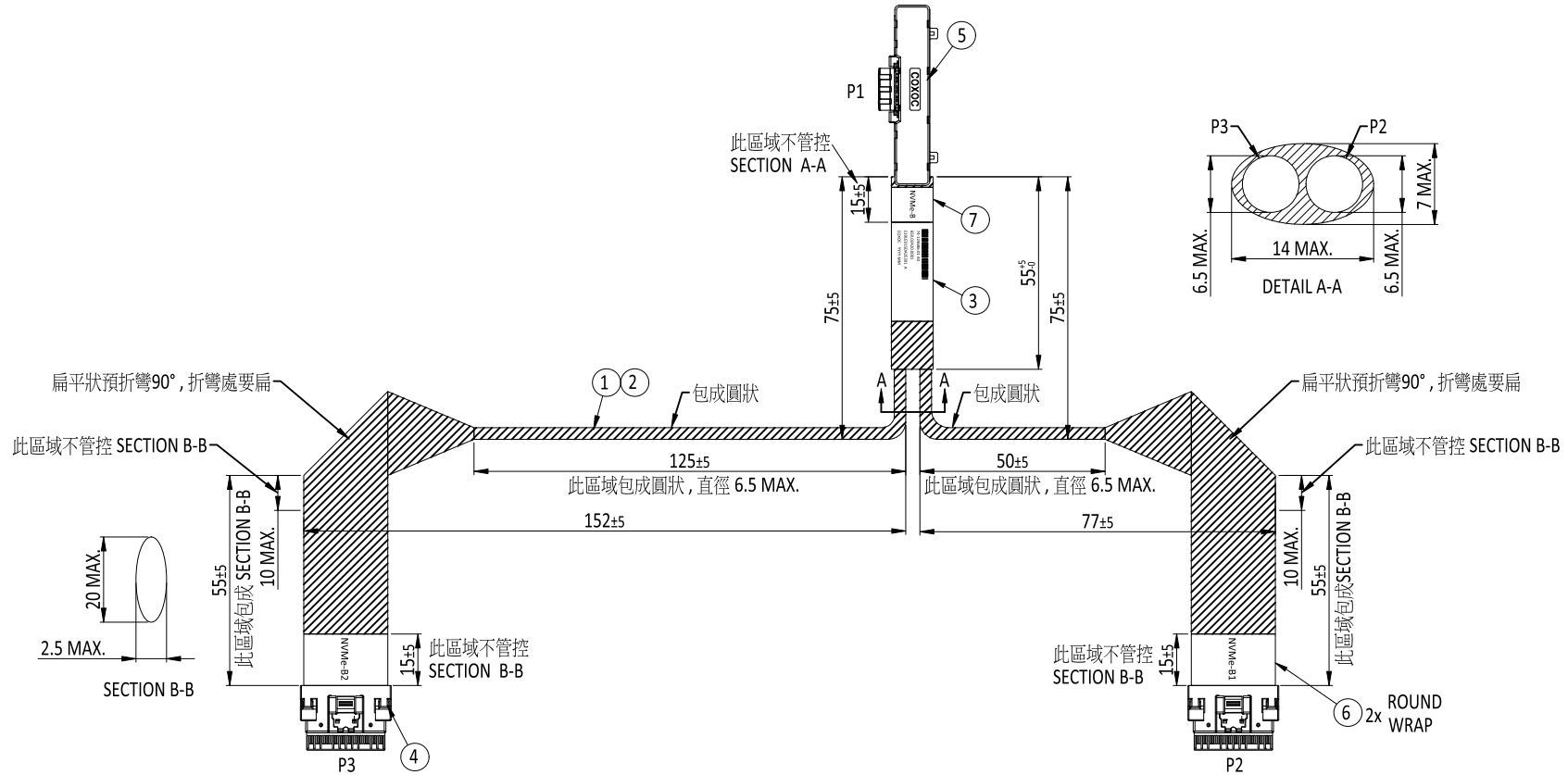


RoHS compliant

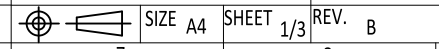


- SPECIFICATION
1. THE CABLE ASSEMBLY SHALL BE RoHS2.0 COMPLIANT.
該產品通過RoHS 2.0認證。
 2. THE CABLE ASSEMBLY SHALL MEET BELOW IMPEDANCE REQUIREMENT: TERMINATION AREA: 85±15% Ω, CABLE ABSOLUTE AREA: 85±10% Ω.
該產品滿足下面阻抗特性: 接觸區域 85±15% 歐姆, 線材為 85±10% 歐姆。
 3. ELECTRICAL AND MCEHANICL PERFORMANCE SHALL MEET THE GEN4.0 INDUSTRIAL STANDARD.
電氣特性遵循GEN4.0工業標準。

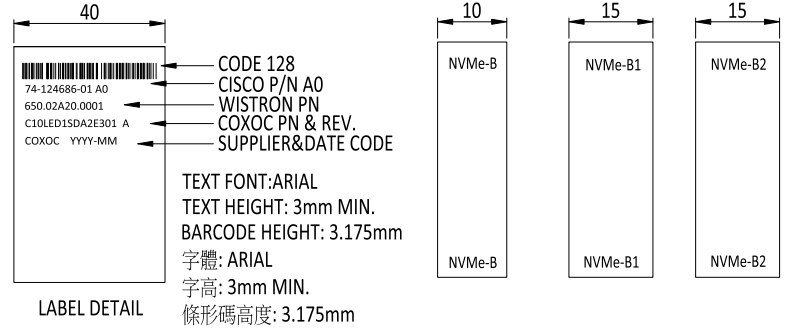
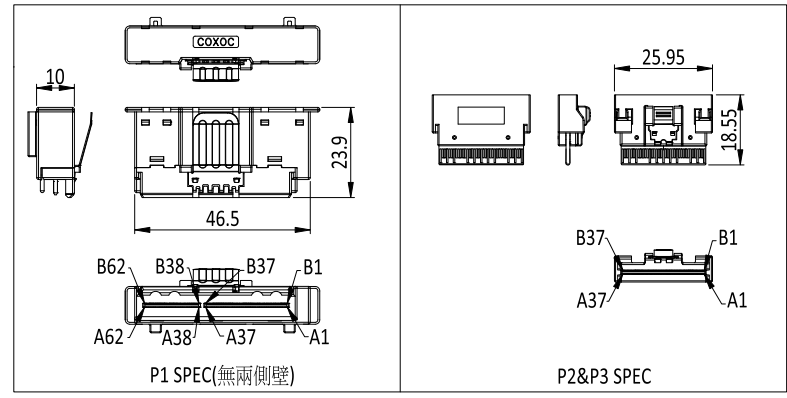
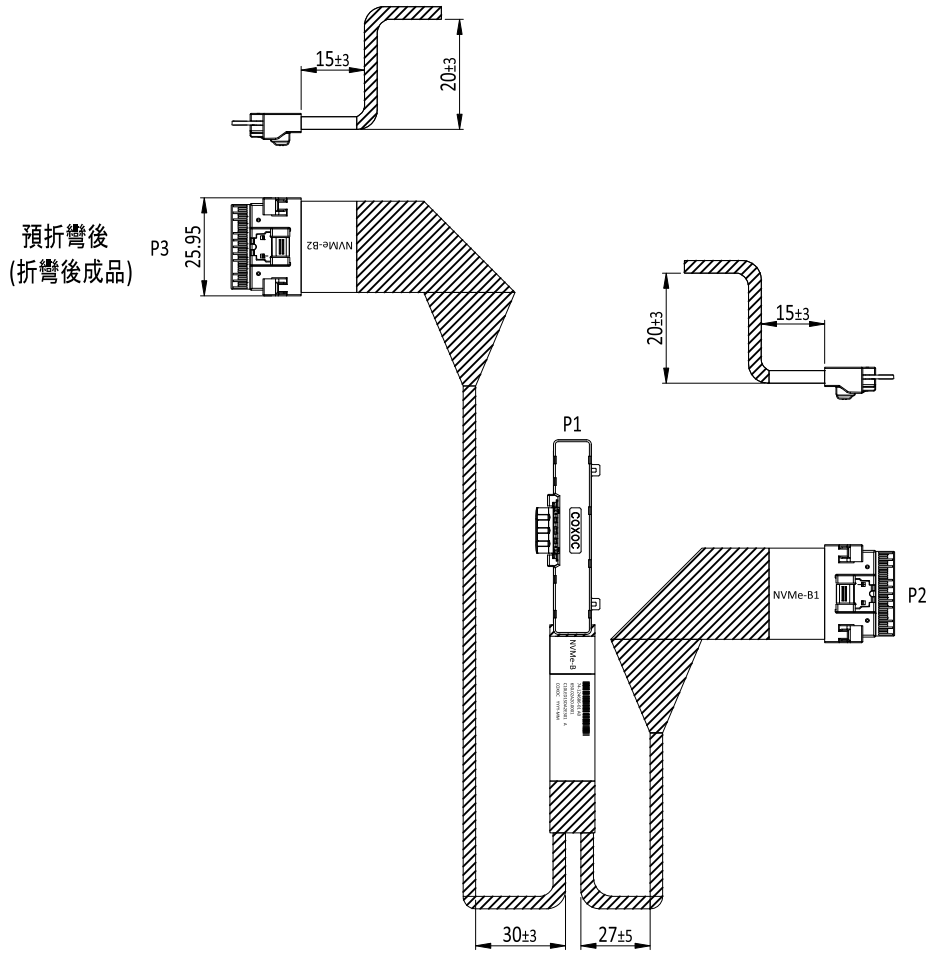
| | | | |
|------|-------|--|------|
| 7 | LABEL | SYNTHETIC PAPER,WHITE | 1 |
| 6 | LABEL | SYNTHETIC PAPER,WHITE | 2 |
| 5 | CONN. | SlimSAS LP 16X RIGHT SIDE PLUG, AU 30u" | 1 |
| 4 | CONN. | SlimSAS 8X STR PLUG, AU 30u" | 1 |
| 3 | LABEL | SYNTHETIC PAPER,WHITE | 1 |
| 2 | TAPE | ACETATE TAPE, BLACK | A/R |
| 1 | CABLE | UL20744, #32(2C+2C+AM), SILVER PLATED, 85 Ω, 24G, BLUE | A/R |
| ITEM | PART | DESCRIPTION | Q'TY |

| | | | |
|-----------|--------------------------------------|-----------------|---|
| 2 | | | |
| 1 | 1510202XXXX | C10LED1SDA2E301 | |
| ITEM | NEW P/N | OLD P/N | NOTE |
| | UNLESS OTHERWISE SPECIFIED TOLERANCE | | SIP Cmk Cpk |
| | ANG. ±2° | | |
| | 0. ±0.50 | | |
| | .0 ±0.25 | | |
| | .00 ±0.15 | | |
| SCALE: | AS SHOWN | UNIT: | mm |
| DRAWN: | PEARL_HUNG | 13 Feb 2026 | TITLE: PDR-20048 SlimSAS LP 16X RS TO SlimSAS 8X STR*2 CABLE |
| CHECKED: | RITA_CHANG | 13 Feb 2026 | |
| APPROVED: | RITA_CHANG | 13 Feb 2026 | |
| | | PART NO. | 1510202XXXX |
| | | CODE: | P09 |
| | | CUSTOMER: | |

| | | | | | | | |
|------|----------|------------------------------------|---|-----------|---|---|---|
| | | | | | | | |
| | B | ECN-2602022(CANDY_CHEN)ADD NEW P/N | | 10FEB2026 | | | |
| | A | ECN-2205006(JASON)X15 CHANGE TO A | | 04MAY2022 | | | |
| ZONE | REVISION | DESCRIPTION | | DATE | | | |
| 1 | 2 | 3 | 4 | 5 | 6 | 7 | 8 |



RoHS compliant



| | | | | | |
|---|--|---|--|----------------------------------|--|
| UNLESS OTHERWISE SPECIFIED TOLERANCE | | SIP Cmk Cpk | | CHANT SINCERE CO.,LTD | |
| ANG. ±2° 0. ±0.50 .0 ±0.25 .00 ±0.15 | | UNIT: mm | | | |
| SCALE: AS SHOWN | | DRAWN: PEARL_HUNG | | 13 Feb 2026 | |
| | | CHECKED: RITA_CHANG | | 13 Feb 2026 | |
| | | APPROVED: RITA_CHANG | | 13 Feb 2026 | |
| TITLE: PDR-20048 | | SlimSAS LP 16X RS TO SlimSAS 8X STR*2 CABLE | | | |
| PART NO. | | 1510202XXXX | | | |
| CODE: P09 | | CUSTOMER: | | | |

| | | | |
|------|----------|------------------------------------|-----------|
| ZONE | REVISION | DESCRIPTION | DATE |
| 1 | 2 | 3 | 4 |
| 1 | B | ECN-2602022(CANDY_CHEN)ADD NEW P/N | 10FEB2026 |
| 1 | A | ECN-2205006(JASON)X15 CHANGE TO A | 04MAY2022 |

RoHS compliant

WIRE DIAGRAM

| P1 | | P2 | | P1 | | P2 | |
|-----|------|---------|------|-----|------|---------|------|
| B62 | GRND | A37 | GND | A62 | GRND | B37 | GND |
| B61 | TX- | A36 | RX7- | A61 | RX- | B36 | TX7- |
| B60 | TX+ | A35 | RX7+ | A60 | RX+ | B35 | TX7+ |
| B59 | GRND | A34 | GND | A59 | GRND | B34 | GND |
| B58 | TX- | A33 | RX6- | A58 | RX- | B33 | TX6- |
| B57 | TX+ | A32 | RX6+ | A57 | RX+ | B32 | TX6+ |
| B56 | GRND | A25/A31 | GND | A56 | GRND | B25/B31 | GND |
| B55 | TX- | A24 | RX5- | A55 | RX- | B24 | TX5- |
| B54 | TX+ | A23 | RX5+ | A54 | RX+ | B23 | TX5+ |
| B53 | GRND | A22 | GND | A53 | GRND | B22 | GND |
| B52 | TX- | A21 | RX4- | A52 | RX- | B21 | TX4- |
| B51 | TX+ | A20 | RX4+ | A51 | RX+ | B20 | TX4+ |
| B50 | GRND | A19 | GND | A50 | GRND | B19 | GND |
| B49 | TX- | A18 | RX3- | A49 | RX- | B18 | TX3- |
| B48 | TX+ | A17 | RX3+ | A48 | RX+ | B17 | TX3+ |
| B47 | GRND | A16 | GND | A47 | GRND | B16 | GND |
| B46 | TX- | A15 | RX2- | A46 | RX- | B15 | TX2- |
| B45 | TX+ | A14 | RX2+ | A45 | RX+ | B14 | TX2+ |
| B44 | GRND | A7/A13 | GND | A44 | GRND | B7/B13 | GND |
| B43 | TX- | A6 | RX1- | A43 | RX- | B6 | TX1- |
| B42 | TX+ | A5 | RX1+ | A42 | RX+ | B5 | TX1+ |
| B41 | GRND | A4 | GND | A41 | GRND | B4 | GND |
| B40 | TX- | A3 | RX0- | A40 | RX- | B3 | TX0- |
| B39 | TX+ | A2 | RX0+ | A39 | RX+ | B2 | TX0+ |
| B38 | GRND | A1 | GND | A38 | GRND | B1 | GND |

| P1 | | P3 | | P1 | | P3 | |
|-----|------|-----|-------|-----|------|-----|-------|
| B37 | GRND | A37 | GND | A37 | GRND | B37 | GND |
| B36 | TX- | A36 | TX7- | A36 | RX- | B36 | TX7- |
| B35 | TX+ | A35 | TX7+ | A35 | RX+ | B35 | TX7+ |
| B34 | GRND | A34 | GND | A34 | GRND | B34 | GND |
| B33 | TX- | A33 | TX6- | A33 | RX- | B33 | TX6- |
| B32 | TX+ | A32 | TX6+ | A32 | RX+ | B32 | TX6+ |
| B31 | GRND | A31 | GND | A31 | GRND | B31 | GND |
| B30 | TX- | A30 | SB 6A | A30 | RX- | B30 | SB 5B |
| B29 | TX+ | A29 | SB 2A | A29 | RX+ | B29 | SB 4B |
| B28 | GRND | A28 | SB 8A | A28 | GRND | B28 | SB 9B |
| B27 | TX- | A27 | SB 1A | A27 | RX- | B27 | SB 3B |
| B26 | TX+ | A26 | SB 0A | A26 | RX+ | B26 | SB 7B |
| B25 | GRND | A25 | GND | A25 | GRND | B25 | GND |
| B24 | TX- | A24 | TX5- | A24 | RX- | B24 | TX5- |
| B23 | TX+ | A23 | TX5+ | A23 | RX+ | B23 | TX5+ |
| B22 | GRND | A22 | GND | A22 | GRND | B22 | GND |
| B21 | TX- | A21 | TX4- | A21 | RX- | B21 | TX4- |
| B20 | TX+ | A20 | TX4+ | A20 | RX+ | B20 | TX4+ |
| B19 | GRND | A19 | GND | A19 | GRND | B19 | GND |
| B18 | TX- | A18 | TX3- | A18 | RX- | B18 | TX3- |
| B17 | TX+ | A17 | TX3+ | A17 | RX+ | B17 | RX3+ |
| B16 | GRND | A16 | GND | A16 | GRND | B16 | GND |
| B15 | TX- | A15 | TX2- | A15 | RX- | B15 | TX2- |
| B14 | TX+ | A14 | TX2+ | A14 | RX+ | B14 | TX2+ |
| B13 | GRND | A13 | GND | A13 | GRND | B13 | GND |
| B12 | TX- | A12 | SB 6A | A12 | RX- | B12 | SB 5A |
| B11 | TX+ | A11 | SB 2A | A11 | RX+ | B11 | SB 4A |
| B10 | GRND | A10 | SB 8A | A10 | GRND | B10 | SB 9A |
| B9 | TX- | A9 | SB 1A | A9 | RX- | B9 | SB 3A |
| B8 | TX+ | A8 | SB 0A | A8 | RX+ | B8 | SB 7A |
| B7 | GRND | A7 | GND | A7 | GRND | B7 | GND |
| B6 | TX- | A6 | RX1- | A6 | RX- | B6 | TX1- |
| B5 | TX+ | A5 | RX1+ | A5 | RX+ | B5 | TX1+ |
| B4 | GRND | A4 | GND | A4 | GRND | B4 | GND |
| B3 | TX- | A3 | RX0- | A3 | RX- | B3 | TX0- |
| B2 | TX+ | A2 | RX0+ | A2 | RX+ | B2 | TX0+ |
| B1 | GRND | A1 | GND | A1 | GRND | B1 | GND |

| | | | |
|--------------------------------------|-------|----------------------|---|
| UNLESS OTHERWISE SPECIFIED TOLERANCE | | SIP Cmk Cpk | CHANT SINCERE CO.,LTD |
| ANG. | ±2° | | |
| 0. | ±0.50 | SCALE: AS SHOWN | UNIT: mm |
| .0 | ±0.25 | DRAWN: PEARL_HUNG | 13 Feb 2026 |
| .00 | ±0.15 | CHECKED: RITA_CHANG | 13 Feb 2026 |
| | | APPROVED: RITA_CHANG | 13 Feb 2026 |
| | | TITLE: PDR-20048 | SlimSAS LP 16X RS TO SlimSAS 8X STR*2 CABLE |
| | | PART NO. | |
| | | CODE: p09 | CUSTOMER: |

| ZONE | REVISION | DESCRIPTION | DATE |
|------|------------------------------------|-------------|------|
| B | ECN-2602022(CANDY_CHEN)ADD NEW P/N | 10FEB2026 | |
| A | ECN-2205006(JASON)X15 CHANGE TO A | 04MAY2022 | |

1 2 3 4 5 6 7 8 9 10