

SPECIFICATION

ELECTRICAL:

1. FINISHED CABLE 100% CONDUCTIVITY TEST
2. CHARACTERISTIC IMPEDANCE: 50 Ω
3. FREQUENCY: DC TO 4 GHz
4. VSWR 1.5MAX.@0~3GHz ; 1.8 MAX.@3~4GHz
5. INSULATION RESISTANCE: ≥ 100 MΩ

ENVIRONMENTAL:

1. OPERATING TEMPERATURE: -40°C TO +105°C
2. WATER TIGHTNESS IP69K

MECHANICAL:

1. CONNECTOR INSERTION FORCE: ≤ 25N
2. DISENGAGEMENT FORCE: ≥ 2N
3. MATING CYCLES: ≥ 25 CYCLES
4. RETENTION FORCE LATCH: ≥ 110N
5. CODING EFFICIENCY: ≥ 40N
6. USCAR-17 COMPLIANT

SCALE 1:1

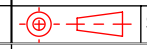
4	H.S.T	HEAT-SHRINKABLE TUBINGS WITH INNER GLUE ID: 4.8mm, BLACK	2
3	FAKRA R/A JACK	THERMOPLASTIC UL94V-0, 1u"GOLD	1
2	FAKRA STR JACK	THERMOPLASTIC UL94V-0, 30u"GOLD	1
1	CABLE	031 CABLE: 22AWG COAXIAL+AL+MYLAR+BRAID OD: 3.2mm, JACKET: PVC BLACK	A/R
ITEM	PART	DESCRIPTION	QTY

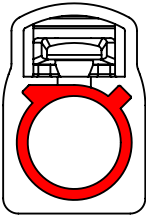
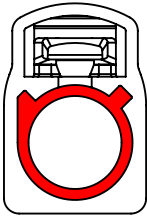
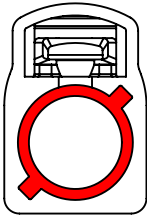
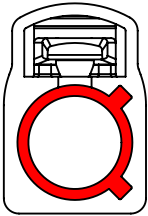
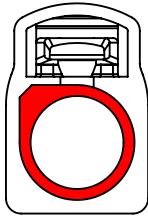
1413301002Z	CWS34ZZ3A01E10M	1000 ± 150mm	Z/Z CODE	W/O LOGO
1413301001Z	CWS34ZZ3A01E1M0	1000 ± 30mm	Z/Z CODE	W/O LOGO
NEW P/N	OLD P/N	LENGTH	CODING	LOGO

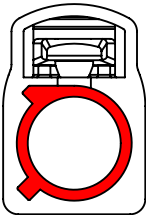
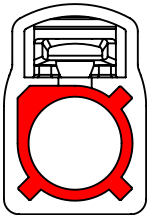
UNLESS OTHERWISE SPECIFIED TOLERANCE	SIP
ANG. ±5°	Crk
0. ±0.30	Cpk
.0 ±0.20	
.00 ±0.10	

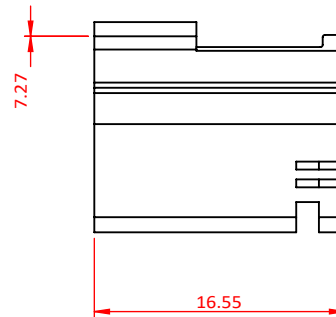
OXOC
CHANT SINCERE CO., LTD
TEL: +886-2-8647-1251 WWW.COXOC.COM.TW

	B	ECN-2308010(VICKY)ADD LENGTH 10M	02AUG2023	CHECKED: PEARL_HUNG	16 08 2023	TITLE: FAKRA JACK 180 TO FAKRA JACK 90_031 CABLE FOR IP69K			
	A	ECN-2212005(OLIVER)X1 CHANGE TO A	02OCT2022	APPROVED: PEARL_HUNG	16 08 2023				
ZONE	REVISION	DESCRIPTION	DATE	SIZE	SHEET	REV.	PART NO.	CODE:	CUSTOMER:
1	2			A4	1/3	B	1413301XXXX	GC	

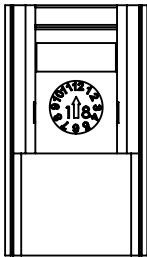
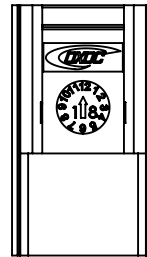


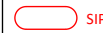

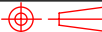
CODING A	CODING B	CODING C	CODING D	CODING E
BLACK (SIM.9005)	PURE WHITE (SIM.9010)	LIGHT BLUE (SIM.5012)	CLARET VIOLET (SIM.4004)	MAY GREEN (SIM.6017)
				

CODING F	CODING Z
NUT BROWN (SIM.8011)	WATER BLUE (SIM.5021)
	



FAKRA LOGO OPTIONS

TOP VIEW	
NONE LOGO	COXOC LOGO
	

UNLESS OTHERWISE SPECIFIED TOLERANCE		 SIP
ANG.	±5°	 Crk Cpk
0.	±0.30	
.0	±0.20	
.00	±0.10	
SCALE:	2:1	UNIT: mm
DRAWN:	BENSON_ZHENG	11 08 2023
CHECKED:	PEARL_HUNG	16 08 2023
APPROVED:	PEARL_HUNG	16 08 2023
	SIZE A4	SHEET 2/3
REV.	B	



CHANT SINCERE CO., LTD
TEL:+886-2-8647-1251 WWW.COXOC.COM.TW

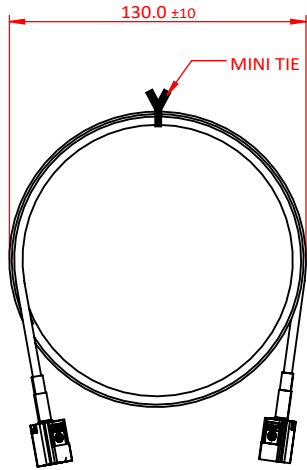
TITLE: FAKRA JACK 180 TO FAKRA JACK 90_031 CABLE FOR IP69K

PART NO. 1413301XXXX

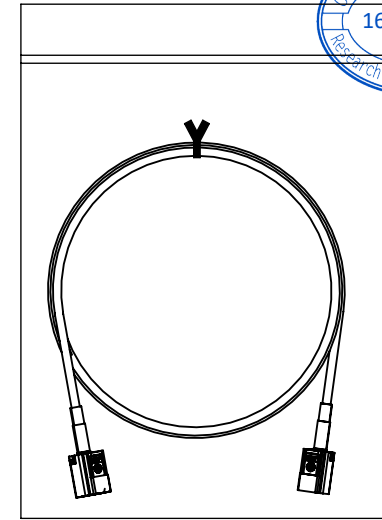
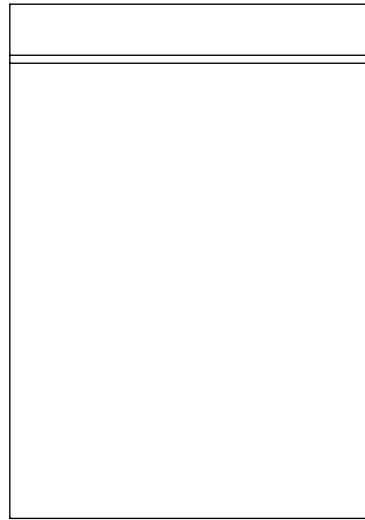
CODE: GC CUSTOMER:

ZONE	REVISION	DESCRIPTION	DATE
1	2	3	4
	A	ECN-2212005(OLIVER)X1 CHANGE TO A	02OCT2022
	B	ECN-2308010(VICKY)SEE PAGE 1/3	02AUG2023

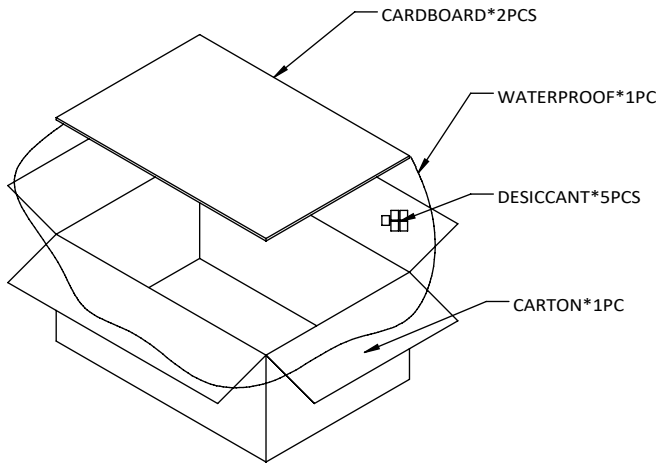
RoHS
compliant



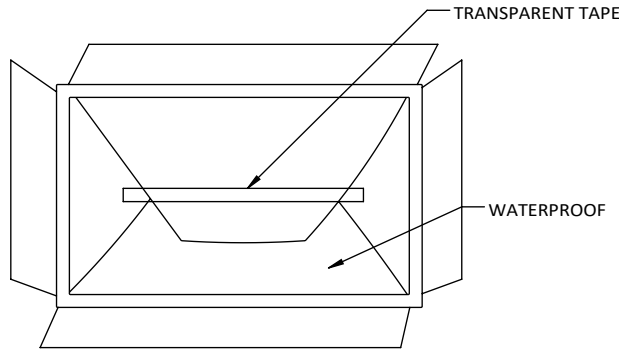
FAKRA JACK TO JACK CABLE



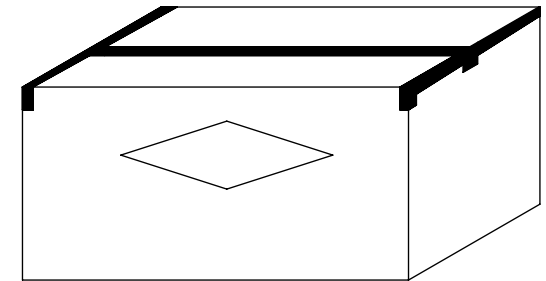
FAKRA JACK TO JACK CABLE



CARTON: 177.5(L)x130(W)x90(H)



(AFTER THE INSTALLED PRODUCT,
CARTON SEALING TAPE SHOULD BE TRANSPARENT)



裝箱數量依首批訂單為主

5	M90000EZ0000029	DESICCANT	2g
4	M9BE91461007009	WATERPROOF	914*610*0.07
3	M9DE295450000500	CARDBOARD(B3B)	295*450
2	M9CE451330229500	CARTON	17.75"*13"*9"
1	MQR1000NB10A0850	ZIP BAG	240*170mm
ITEM	PART NUMBER	DESCRIPTION	SPECIFICATION

UNLESS OTHERWISE SPECIFIED TOLERANCE		SIP
ANG.	±5°	Crk Cpk
0.	±0.50	
.0	±0.30	
.00	±0.20	
SCALE:	2:1	UNIT: mm
DRAWN:	BENSON_ZHENG	11 08 2023
CHECKED:	PEARL_HUNG	16 08 2023
APPROVED:	PEARL_HUNG	16 08 2023
SIZE	A4	SHEET 3/3
REV.	B	



CHANT SINCERE CO., LTD
TEL:+886-2-8647-1251 WWW.COXOC.COM.TW

	B	ECN-2308010(VICKY)SEE PAGE 1/3	02AUG2023
	A	ECN-2212005(OLIVER)X1 CHANGE TO A	02DEC2022
ZONE	REVISION	DESCRIPTION	DATE
1		3	

TITLE: FAKRA JACK 180 TO FAKRA JACK 90_031 CABLE FOR IP69K	
PART NO.	1413301XXXX
CODE:	GC
CUSTOMER:	