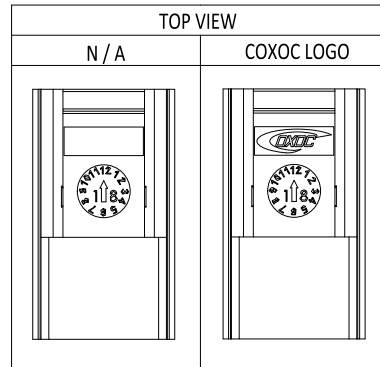
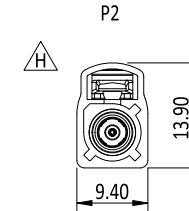
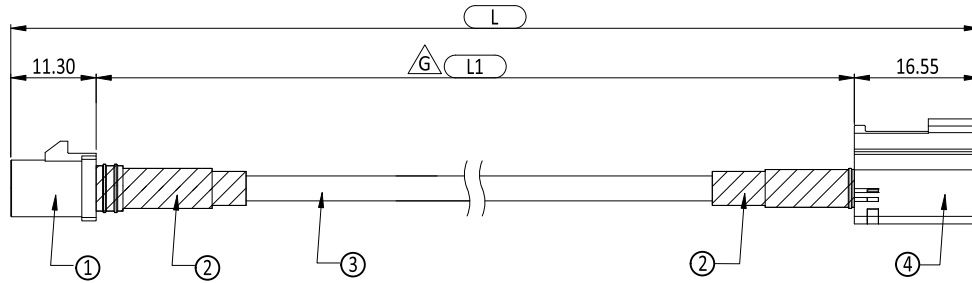
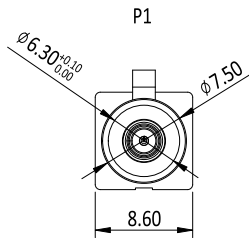


RoHS compliant



SPECIFICATION

ELECTRICAL CHARACTERISTIC:

1. FINISHED CABLE 100% CONDUCTIVITY TEST
2. CHARACTERISTIC IMPEDANCE: 50 Ω
3. FREQUENCY: DC TO 4 GHz
4. VSWR: 1.50 MAX. @0~3GHz; 1.80 MAX. @3~4GHz
5. INSULATION RESISTANCE: ≥100 MΩ

MECHANICAL: GAGEMENT FORCE:

1. CONNECTOR INSERTION FORCE: ≤25 N
2. DISENGAGEMENT FORCE: ≥2 N
3. MATING CYCLE: ≥25 CYCLES
4. RETENTION FORCE LATCH: ≥110 DINGN
5. CODING EFFICIENCY: ≥40 N
6. ALL MATERIALS MUST BE USCAR-2, USCAR-17 COMPLIANT

ENVIRONMENTAL:

1. OPERATING TEMPERATURE: -40°C TO +105°C
2. WATER TIGHTNESS IP67

X=CODING(EX. Z=Z/Z CODE) SEE PAGE 2/4 & 3/4

ITEM	PART NO.	OLD P/N	LENGTH	LOGO	NOTE
11	1413201011X	N/A	L= 500±15mm	N/A	
10	1413201010X	CWS22XX3A01E30C	L= 300±15mm	N/A	
9	1413201009X	CWS22XX3A01E14M	L= 14000±150mm	N/A	
8	1413201008X	CWS22XX3A01E12M	L= 12000±150mm	N/A	
7	1413201007X	CWS22XX3A01E9M0	L= 9000±100mm	N/A	
6	1413201006X	CWS22XX3A01E6M0	L= 6000±100mm	N/A	
5	1413201005X	CWS22XX3A01E1M0	L= 1000±30mm	N/A	
4	1413201004X	CWS22XX3A01E10M	L= 10000±150mm	N/A	
3	1413201003X	CWS22XX3A01E5M0	L= 5000±100mm	N/A	
2	1413201002X	CWS22XX3A01E2M0	L= 2000±50mm	N/A	
1	1413201001X	CWS22XX3A01E3M0	L= 3000±50mm	N/A	

4	FAKRA JACK(IP)	△F	THERMOPLASTIC UL94-V0, 30u" AU	1
3	031 CABLE	△F	22AWG COAXIAL+AL+MYLAR+BRAID, OD: 3.3mm, JACKET: PVC BLACK	A/R
2	HST		HEAT SHRINK TUBE WITH GLUE, BLACK	2
1	FAKRA PLUG(IP)	△F	THERMOPLASTIC UL94-V0, 30u" AU	1

ITEM	PART	DESCRIPTION	Q'TY
G8	H	ECN-2601044(BENSON)MODIFY CODE & SEE PAGE 3/4	16JAN2026
C1, D6, G5	G	ECN-2510094(DAVID)ADD P/N 1413201011X & USCAR-2	23OCT2025
B1, B5, C6	F	ECN-2510017((TINA)ADD NEW /A, MODIY PART NME & CABLE OD.	02OCT2025
ZONE	REVISION	DESCRIPTION	DATE

SCALE:	AS SHOWN	UNIT:	mm
UNLESS OTHERWISE SPECIFIED TOLERANCE		SIP	
ANG. ±5°		ST	Cmk
0. ±0.50		Cpk	
.0 ±0.30			
.00 ±0.20			



DRAWN: CANDY_CHEN	28 Jan 2026	TITLE:	FAKRA PLUG TO FAKRA JACK CABLE(IP RATING)
CHECKED: VICKY_HSIEH	28 Jan 2026	PART NO.	1413201XXXX
APPROVED: JASON_HUANG	29 Jan 2026	CODE: GC	CUSTOMER:

RoHS  
compliant



A	B	C	D	E	F	G
JET BLACK SIMILAR RAL 9005	CREAM WHITE SIMILAR RAL 9001	SIGNAL BLUE SIMILAR RAL 5005	CLARET VIOLET SIMILAR RAL 4004	LEAF GREEN SIMILAR RAL 6002	NUT BROWN SIMILAR RAL 8011	BLUE GRAY SIMILAR RAL 7031
H	I	K	L	M	N	Z
HEATHER VIOLET SIMILAR RAL 4003	BEIGE SIMILAR RAL 1001	CURRY SIMILAR RAL 1027	CARMINE RED SIMILAR RAL 3002	PASTEL ORANGE SIMILAR RAL 2003	PASTEL GREEN SIMILAR RAL 6019	WATER BLUE SIMILAR RAL 5021

UNLESS OTHERWISE SPECIFIED TOLERANCE	SIP
ANG. ±5°	Cmk
0. ±0.50	Cpk
.0 ±0.30	
.00 ±0.20	

**CHANT SINCERE CO.,LTD**

	H	ECN-2601044(BENSON)SEE PAGE 1/4, 3/4	16JAN2026	DRAWN: CANDY_CHEN	28 Jan 2026	TITLE:	FAKRA PLUG TO FAKRA JACK CABLE(IP RATING)	
	G	ECN-2510094(DAVID)SEE PAGE 1/4	23OCT2025	CHECKED: VICKY_HSIEH	28 Jan 2026	PART NO.	1413201XXXX	
	F	ECN-2510017(TINA)SEE PAGE 1/4	02OCT2025	APPROVED: JASON_HUANG	29 Jan 2026	REV.	H	
ZONE	REVISION	DESCRIPTION	DATE		SIZE A4	SHEET 2/4	CODE: GC	CUSTOMER:
1	2	3	4	5	6	7	8	9
1	2	3	4	5	6	7	8	9

RoHS  
compliant

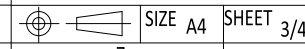


△ FAKRA JACK  
\*=DEVELOPING

A	B	C	D	E	F	Z
JET BLACK SIMILAR RAL 9005	CREAM WHITE SIMILAR RAL 9001	SIGNAL BLUE SIMILAR RAL 5005	CLARET VIOLET SIMILAR RAL 4004	LEAF GREEN SIMILAR RAL 6002	NUT BROWN SIMILAR RAL 8011	WATER BLUE SIMILAR RAL 5021

UNLESS OTHERWISE SPECIFIED TOLERANCE		SIP ST Cmk Cpk		 <b>CHANT SINCERE CO.,LTD</b>					
ANG.	±5°	0.	±0.50			SCALE:	AS SHOWN	UNIT:	mm
.0	±0.30	.00	±0.20	DRAWN:	CANDY_CHEN	28 Jan 2026	TITLE:	FAKRA PLUG TO FAKRA JACK CABLE(IP RATING)	
ZONE	REVISION	DESCRIPTION		DATE	APPROVED:	JASON_HUANG	29 Jan 2026	PART NO.	1413201XXXX
1	2	3	4	5	6	7	8	9	10

F1	H	ECN-2601044(BENSON)MODIFY CODE & SEE PAGE 1/4		16JAN2026
	G	ECN-2510094(DAVID)SEE PAGE 1/4		23OCT2025
	F	ECN-2510017(TINA)SEE PAGE 1/4		02OCT2025

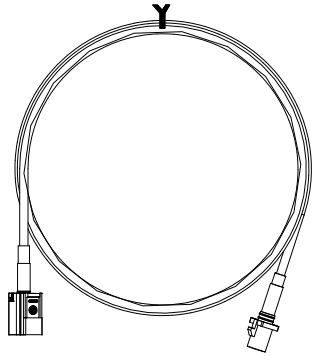


SIZE A4 SHEET 3/4

REV. H

CODE: GC CUSTOMER:

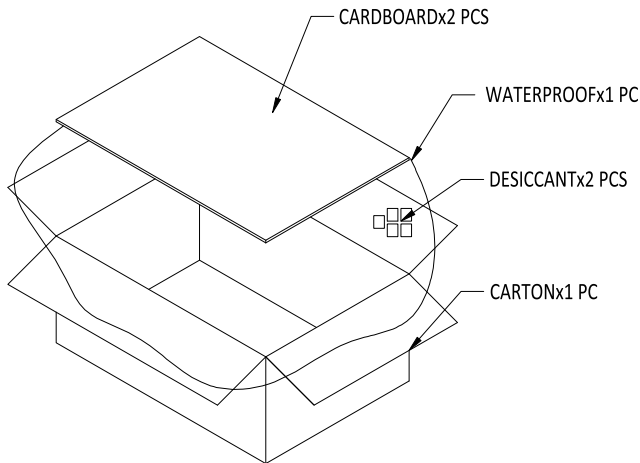
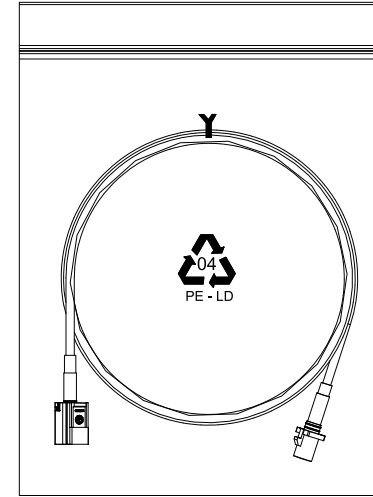
RoHS  
compliant



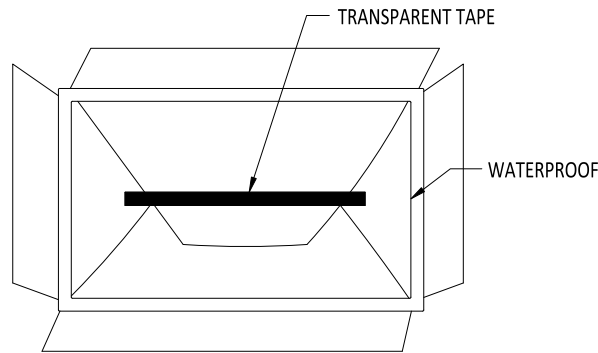
CABLE



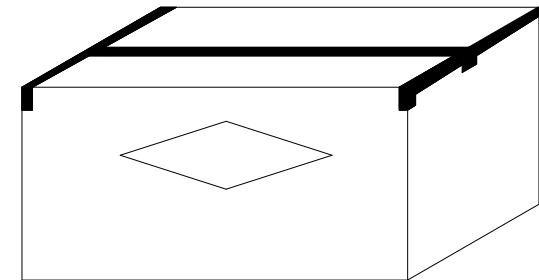
ZIP BAG



CARTON: 420(L)X350(W)X310(H)



(AFTER THE INSTALLED PRODUCT,  
CARTON SEALING TAPE SHOULD BE TRANSPARENT)



(THE PACKING QUANTITY IS BASED ON  
THE FIRST BATCH OF ACTUAL ORDER)

UNLESS OTHERWISE SPECIFIED TOLERANCE		SIP Crmk Cpk		 <b>CHANT SINCERE CO.,LTD</b>		
ANG.	±5°	SCALE:	AS SHOWN			UNIT:
0.	±0.50	DRAWN:	CANDY_CHEN	28 Jan 2026	TITLE:	FAKRA PLUG TO FAKRA JACK CABLE(IP RATING)
.0	±0.30	CHECKED:	VICKY_HSIEH	28 Jan 2026	PART NO.	1413201XXXX
.00	±0.20	APPROVED:	JASON_HUANG	29 Jan 2026	CODE:	GC
					CUSTOMER:	

	H	ECN-2601044(BENSON)SEE PAGE 1/4, 3/4	16JAN2026
	G	ECN-2510094(DAVID)SEE PAGE 1/4	23OCT2025
	F	ECN-2510017(TINA)SEE PAGE 1/4	02OCT2025
ZONE	REVISION	DESCRIPTION	DATE
1	2	3	4