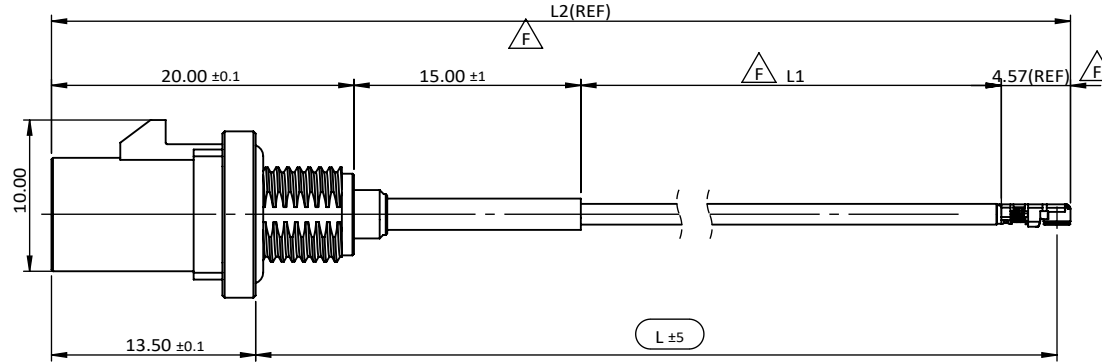
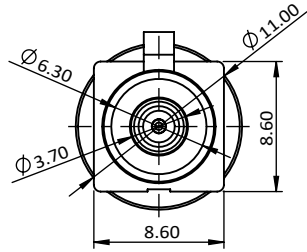
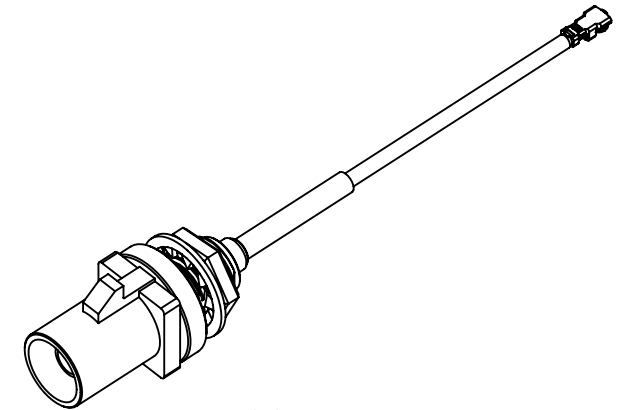
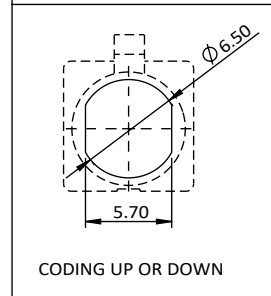
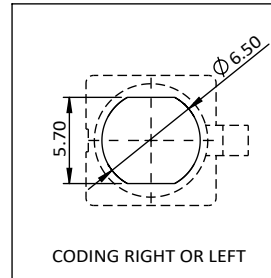
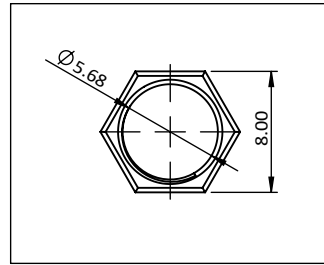
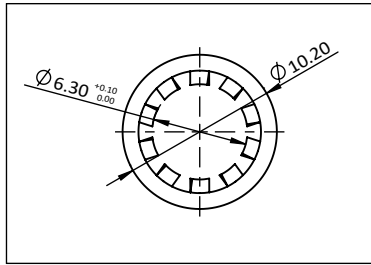


RoHS  
compliant



RECOMMEND DRILLING SIZE AND DIRECTION



SACLE 1.5:1

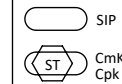
- SPECIFICATION:  
**ELECTRICAL TEST:**  
 1. CABLE MUST BE OPEN, SHORT MISWIRED 100% TEST  
 2. IMPEDANCE 50 Ω(NOMIND)  
 3. TEMPERATURE RANGE: -40°C TO +90°C  
 4. WATERPROOF (FAKRA ASSEMBLY) LEVEL: IP67  
 1 METER UNDERWATER FOR 30 MINUTES

6	NUT	8mm HEX NUT, 1/4-36UNS, NICKEL PLATED	1
5	WASHER	LOCK WASHER Ø6.3, 0.5mm, NICKEL PLATED	1
4	I-PEX4L	MHF 4L 20632, GOLD PLATED	1
3	CABLE	AWG 30, OD1.37, 50 Ω, GREY	1
2	HST	HEAT SHRINK TUBE, ID: 2.5*15mm, BLACK	1
1	FAKRA PLUG	THERMOPLASTIC UL94V-0, 3u" GOLD	1

X=CODING(SEE PAGE 2/3)

1413102006X	N/A	324mm	300	340
1413102005X	CWS12X02B02E30C	300mm	276	316
1413102004X	CWS12X02B02E25C	250mm	226	266
1413102003X	CWS12X02B02E20C	200mm	176	216
1413102002X	CWS12X02B02E15C	150mm	126	166
1413102001X	CWS12X02B02E10C	100mm	76	116
NEW P/N	OLD P/N	LENGTH NOTE.	L1	L2(REF)

UNLESS OTHERWISE SPECIFIED TOLERANCE  
 ANG. ±5°  
 0. ±0.50  
 .0 ±0.30  
 .00 ±0.20



SCALE: 2:1	UNIT: mm
DRAWN: KEVIN_ZHENG	28 NOV 2023
CHECKED: PEARL_HUNG	25 DEC 2023
APPROVED: PEARL_HUNG	25 DEC 2023
SIZE A4	SHEET 1/3
REV. G	

TITLE: FAKRA PLUTG TO I-PEX4L CABLE
PART NO. 1413102XXXX
CODE: GC
CUSTOMER:

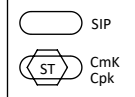
ZONE	REVISION	DESCRIPTION	DATE
G		ECN-2311040(QUEENIE)SEE PAGE 2/3	15NOV2023
G6, G7, G8	F	ECN-2307067(CRYSTAL)ADD 1413102006X	25JUL2023
	E	ECN-2307003(VICKY) NEW P/N	03JUL2023

**RoHS**  
compliant



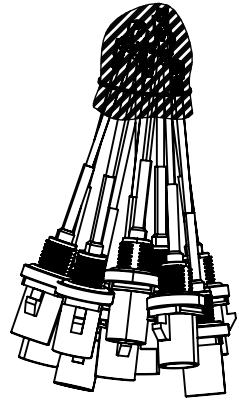
A	B	C	D	E	F	G
JET BLACK SIMILAR RAL 9005	CREAM WHITE SIMILAR RAL 9001	SIGNAL BLUE SIMILAR RAL 5005	CLARET VIOLET SIMILAR RAL 4004	LEAF GREEN SIMILAR RAL 6002	NUT BROWN SIMILAR RAL 8011	BLUE GREY SIMILAR RAL 7031
H	I	K	L	M	N	Z
HEATHER VIOLET SIMILAR RAL SIM.4003	BEIGE SIMILAR RAL 1001	CURRY SIMILAR RAL 1027	CARMINE RED SIMILAR RAL 3002	PASTEL ORANGE SIMILAR RAL 2003	PASTEL GREEN SIMILAR RAL 6019	WATER BLUE SIMILAR RAL 5021

UNLESS OTHERWISE SPECIFIED TOLERANCE	
ANG.	±5°
0.	±0.50
.0	±0.30
.00	±0.20
SCALE:	2:1
UNIT:	mm

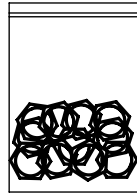


	G	ECN-2311040(QUEENIE)MODIFY COLOR	15NOV2023	DRAWN: KEVIN_ZHENG	28 NOV 2023	TITLE: FAKRA PLUG TO I-PEX4L CABLE		
	F	ECN-2307067(CRYSTAL) SEE PAGE 1	25JUL2023	CHECKED: PEARL_HUNG	25 DEC 2023			
	E	ECN-2307003(VICKY) SEE PAGE 1	03JUL2023	APPROVED: PEARL_HUNG	25 DEC 2023			
ZONE	REVISION	DESCRIPTION	DATE		SIZE A4	SHEET 2/3	REV. G	CUSTOMER:

RoHS  
compliant

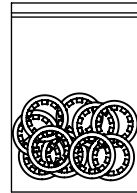


+

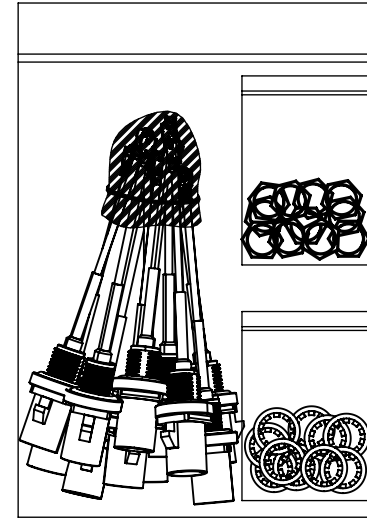


NUT 50 PCS/ZIP BAG  
100(L)\*70(W) ZIP BAG

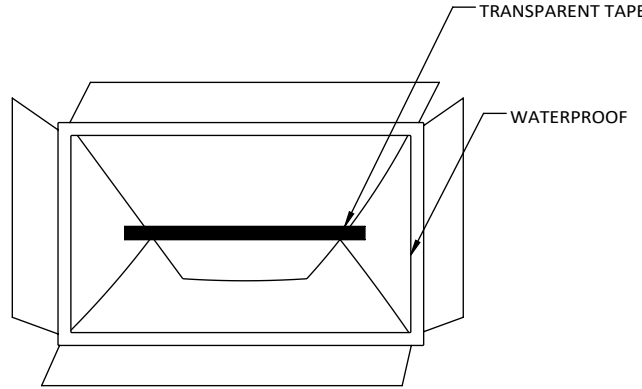
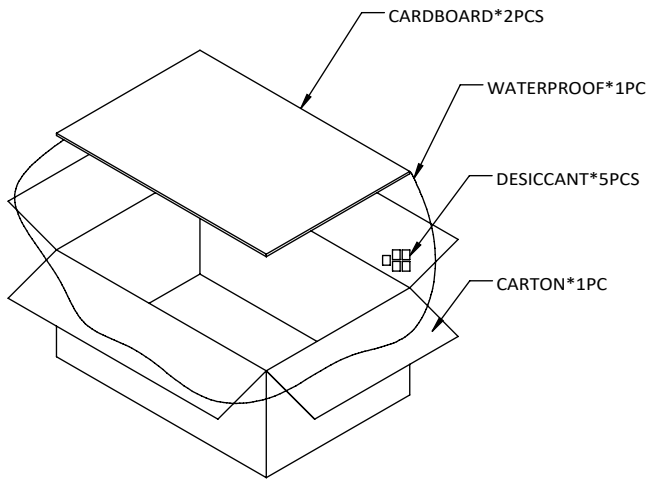
+



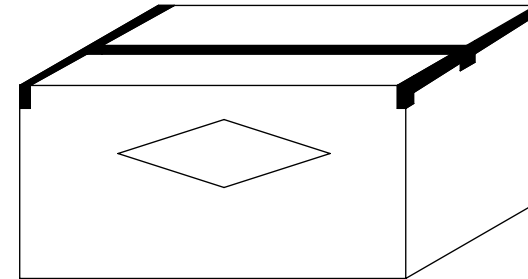
WASHER 50 PCS/ZIP BAG  
100(L)\*70(W) ZIP BAG



240(L)\*170(W) ZIP BAG  
50 PCS/ZIP BAG



(AFTER THE INSTALLED PRODUCT,  
CARTON SEALING TAPE SHOULD BE TRANSPARENT)



預計一箱400PCS  
裝箱數量依首批訂單為主

6	M90000EZ0000029	DESICCANT	2g
5	M9BE71163507009	WATERPROOF	28"*25"*0.07mm
4	M9DE250276000500	CARDBOARD(B3B)	250*276
3	M9CE356241127500	CARTON	14"*9.5"*5"
2	M9BE24017000819	ZIP BAG	240*170mm
1	M9BE10007000819	ZIP BAG	100*70mm
ITEM	PART NUMBER	DESCRIPTION	SPECIFICATION

UNLESS OTHERWISE SPECIFIED TOLERANCE		SIP
ANG.	±5°	Crk Cpk
0.	±0.50	
.0	±0.30	
.00	±0.20	
SCALE:	2:1	UNIT: mm



G		ECN-2311040(QUEENIE)SEE PAGE 2/3	15NOV2023	DRAWN:	KEVIN_ZHENG	28 NOV 2023	TITLE:		FAKRA PLUG TO I-PEX4L CABLE				
F		ECN-2307067(CRYSTAL) SEE PAGE 1	25JUL2023	CHECKED:	PEARL_HUNG	25 DEC 2023	PART NO.		1413102XXXX				
E		ECN-2307003(VICKY) SEE PAGE 1	03JUL2023	APPROVED:	PEARL_HUNG	25 DEC 2023	REV.		G				
ZONE	REVISION	DESCRIPTION	DATE		SIZE	A4	SHEET	3/3	REV.	G	CODE:	GC	CUSTOMER: