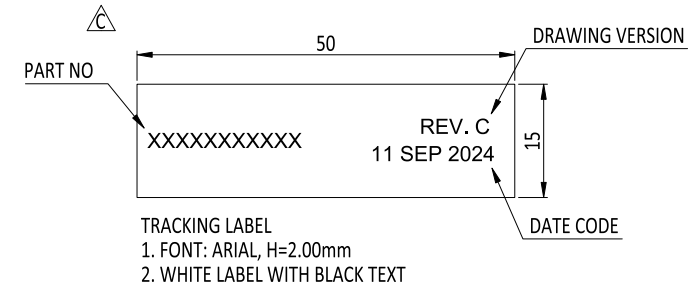
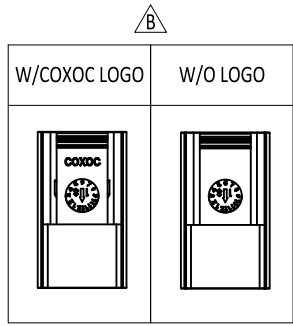
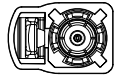
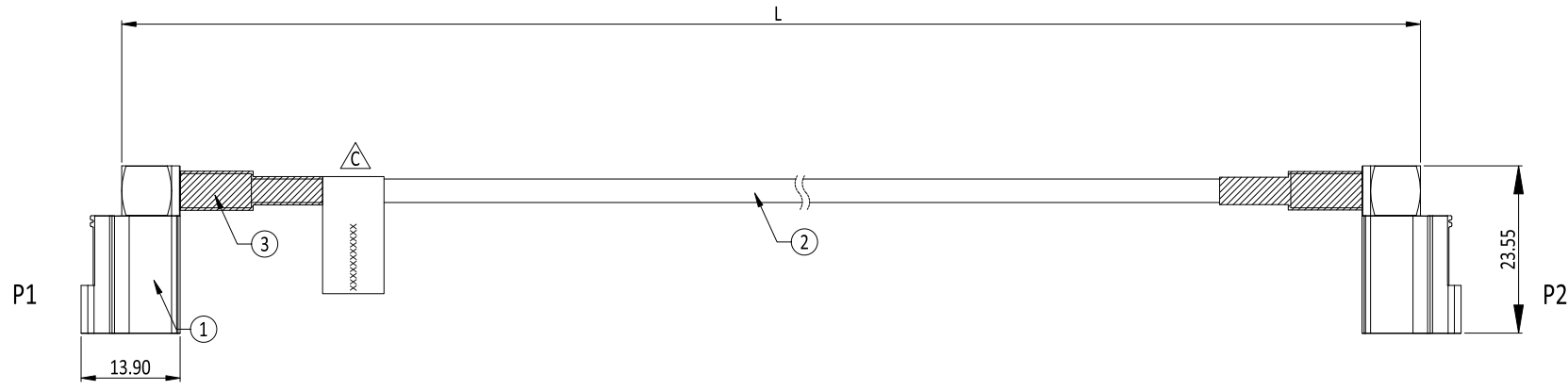


RoHS compliant



**SPECIFICATION**  
**ELECTRICAL CHARACTERISTIC:**  
 1. CHARACTERISTIC IMPEDANCE: 50Ω  
 2. FINISHED CABLE 100% CONDUCTIVITY TEST

**ENVIRONMENTAL :**  
 1. OPERATING TEMPERATURE RANGE: -40°C TO +105°C

| 3    | HST            | HEAT SHRINK TUBE, BLACK                                    | 2    |
|------|----------------|--|------|
| 2    | 031 CABLE      | 22AWG COAXIAL+AL+MYLAR+BRAID, OD: 3.2mm, JACKET: PVC BLACK | A/R  |
| 1    | FAKRA JACK R/A | PBT, UL94V-0; BRASS, 1u" AU                                | 2    |
| ITEM | DESCRIPTION    | MATERIAL   | Q'TY |

| 2    | 1410801002Z | N/A             | Z/Z CODE | 700±30mm   | W/COXOC LOGO |      |
|------|-------------|-----------------|----------|------------|--------------|------|
| 1    | 1410801001Z | C7SA4ZZ3A01E1M0 | Z/Z CODE | 1000±30mm  | W/O LOGO     |      |
| ITEM | NEW P/N     | OLD P/N         | CODING   | L (LENGTH) | LOGO         | NOTE |

UNLESS OTHERWISE SPECIFIED TOLERANCE  
 ANG. ±2°  
 0. ±0.30  
 .0. ±0.20  
 .00 ±0.10



| F3, D7 | C        | ECN-2409034(TINA)ADD LABEL & PAGE 3/3 | 11SEP2024 | DRAWN: BENSON_ZHENG   | 19 Sep 2024 | TITLE:<br>FAKRA JACK 90° CABLE (CNC VER.)<br>PART NO. 1410801XXXX<br>CODE: Z10 CUSTOMER: |
|--------|----------|---------------------------------------|-----------|-----------------------|-------------|--|
| D5, B6 | B        | ECN-2406060(JOAN)ADD P/N              | 18JUN2024 | CHECKED: VICKY_HSIEH  | 19 Sep 2024 |  |
|        | A        | ECN-2309040(JOLIN)NEW DRAWN           | 15SEP2023 | APPROVED: JASON_HUANG | 26 Sep 2024 |  |
| ZONE   | REVISION | DESCRIPTION                           | DATE      | SIZE A4               | SHEET 1/3   | REV. C   |

RoHS  
compliant



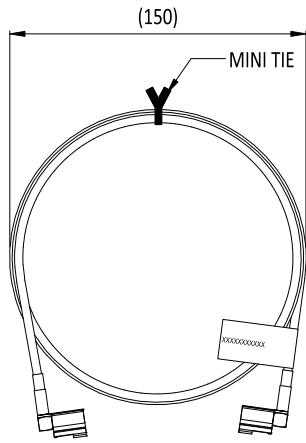
FAKRA JACK

|                                    |                                 |                                 |                                   |                                   |                                  |                                |
|------------------------------------|---------------------------------|---------------------------------|-----------------------------------|-----------------------------------|----------------------------------|--------------------------------|
| A                                  | B                               | C                               | D                                 | E                                 | F                                | G                              |
| JET BLACK<br>SIMILAR RAL 9005      | CREAM WHITE<br>SIMILAR RAL 9001 | SIGNAL BLUE<br>SIMILAR RAL 5005 | CLARET VIOLET<br>SIMILAR RAL 4004 | LEAF GREEN<br>SIMILAR RAL 6002    | NUT BROWN<br>SIMILAR RAL 8011    | BLUE GRAY<br>SIMILAR RAL 7031  |
|                                    |                                 |                                 |                                   |                                   |                                  |                                |
| H                                  | I                               | K                               | L                                 | M                                 | N                                | Z                              |
| HEATHER VIOLET<br>SIMILAR RAL 4003 | BEIGE<br>SIMILAR RAL 1001       | CURRY<br>SIMILAR RAL 1027       | CARMINE RED<br>SIMILAR RAL 3002   | PASTEL ORANGE<br>SIMILAR RAL 2003 | PASTEL GREEN<br>SIMILAR RAL 6019 | WATER BLUE<br>SIMILAR RAL 5021 |
|                                    |                                 |                                 |                                   |                                   |                                  |                                |

|                                      |       |                                   |                                  |
|--------------------------------------|-------|-----------------------------------|----------------------------------|
| UNLESS OTHERWISE SPECIFIED TOLERANCE |       | SIP<br>Crmk<br>Cpk                | <br><b>CHANT SINCERE CO.,LTD</b> |
| ANG.                                 | ±2°   |                                   |                                  |
| 0.                                   | ±0.30 | SCALE: 1:1                        |                                  |
| .0                                   | ±0.20 | UNIT: mm                          |                                  |
| .00                                  | ±0.10 | DRAWN: BENSON_ZHENG 19 Sep 2024   |                                  |
| ZONE                                 |       | CHECKED: VICKY_HSIEH 19 Sep 2024  |                                  |
| REVISION                             |       | APPROVED: JASON_HUANG 26 Sep 2024 |                                  |
| DESCRIPTION                          |       | PART NO. 1410801XXXX              |                                  |
| DATE                                 |       | CODE: Z10 CUSTOMER:               |                                  |
| SIZE A4 SHEET 2/3                    |       | REV. C                            |                                  |

|   |  |           |
|---|--|-----------|
| C | ECN-2409034(TINA)SEE PAGE 1/3 & ADD PAGE 3/3 | 11SEP2024 |
| B | ECN-2406060(JOAN)SEE PAGE 1/2                | 18JUN2024 |
| A | ECN-2309040(JOLIN)NEW DRAWN                  | 15SEP2023 |

RoHS  
compliant

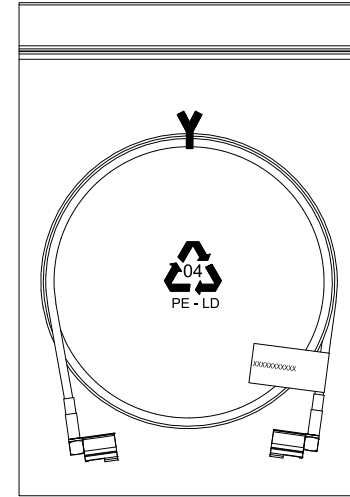


CABLE

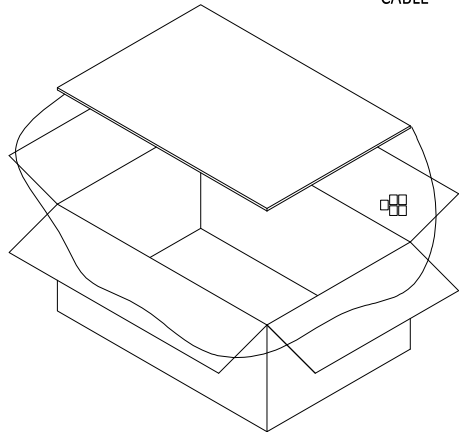
+



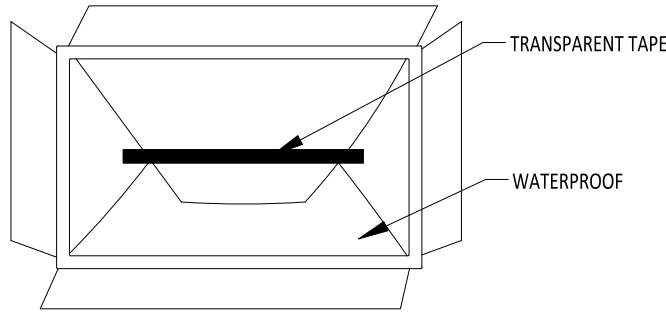
ZIP BAG



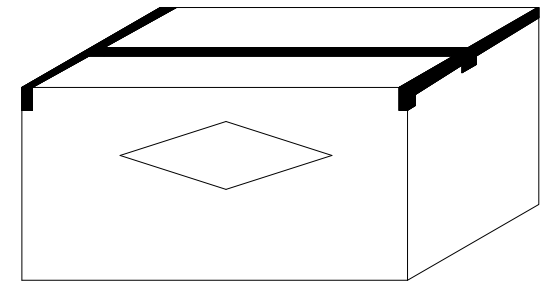
1PC/ZIP BAG



CARTON



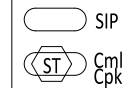
(AFTER THE INSTALLED PRODUCT,  
CARTON SEALING TAPE SHOULD BE TRANSPARENT)



(THE PACKING QUANTITY IS BASED ON THE FIRST BATCH OF ACTUAL ORDER)

| 5    | DESICCANT      | M90000EZ0000029  | 2g              | 5 PCS       |      |
|------|----------------|------------------|-----------------|-------------|------|
| 4    | WATERPROOF     | M9BE91461007009  | 914x610x0.07mm  | 1 PC        |      |
| 3    | CARDBOARD(B3B) | M9DE295450000500 | 295x450mm       | 2 PCS       |      |
| 2    | CARTON         | M9CE451330229500 | 17.75"x13"x9"   | 1 PC        |      |
| 1    | ZIP BAG        | M9BE2401700081I  | 240(L)x170(W)mm | 1PC/ZIP BAG |      |
| ITEM | DESCRIPTION    | PART NUMBER      | SPECIFICATION   | Q'TY        | NOTE |

|                                      |       |
|--------------------------------------|-------|
| UNLESS OTHERWISE SPECIFIED TOLERANCE |       |
| ANG.                                 | ±2°   |
| 0.                                   | ±0.30 |
| .0                                   | ±0.20 |
| .00                                  | ±0.10 |



CHANT SINCERE CO.,LTD

|                       |             |
|-----------------------|-------------|
| SCALE: AS SHOWN       | UNIT: mm    |
| DRAWN: BENSON_ZHENG   | 19 Sep 2024 |
| CHECKED: VICKY_HSIEH  | 19 Sep 2024 |
| APPROVED: JASON_HUANG | 26 Sep 2024 |

|           |                                 |
|-----------|---------------------------------|
| TITLE:    | FAKRA JACK 90° CABLE (CNC VER.) |
| PART NO.  | 1410801XXXX                     |
| CODE:     | Z10                             |
| CUSTOMER: |                                 |

|   |                               |           |
|---|-------------------------------|-----------|
| C | ECN-2409034(TINA)ADD PAGE 3/3 | 11SEP2024 |
| B | ECN-2406060(JOAN)SEE PAGE 1/2 | 18JUN2024 |
| A | ECN-2309040(JOLIN)NEW DRAWN   | 15SEP2023 |

| ZONE | REVISION | DESCRIPTION | DATE |
|------|----------|-------------|------|
| 1    | 2        | 3           | 4    |

|         |           |        |
|---------|-----------|--------|
| SIZE A4 | SHEET 3/3 | REV. C |
|---------|-----------|--------|

|           |           |
|-----------|-----------|
| CODE: Z10 | CUSTOMER: |
|-----------|-----------|