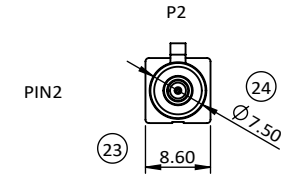
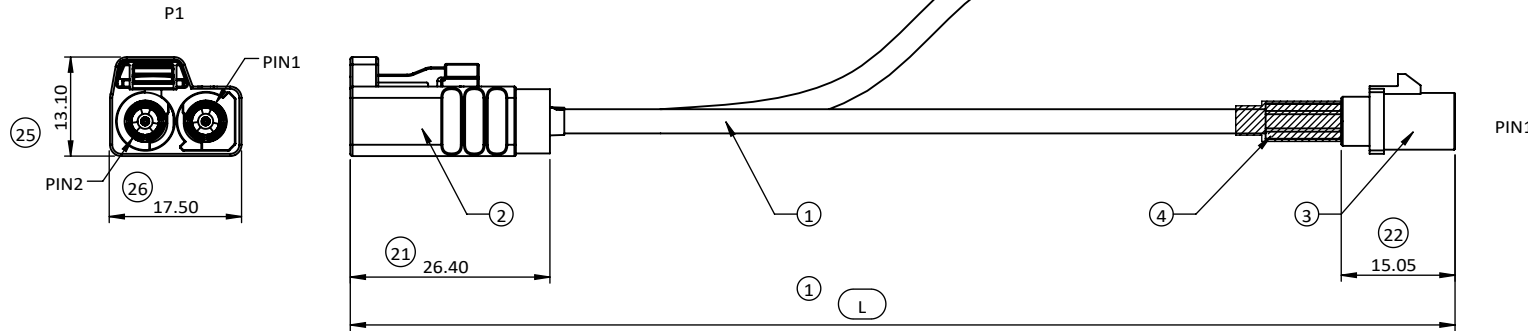


RoHS
compliant



SPECIFICATION

ELECTRICAL:

1. FINISHED CABLE 100% CONDUCTIVITY TEST
2. CHARACTERISTIC IMPEDANCE: 50 Ω
3. FREQUENCY: DC TO 4 GHz
4. VSWR: 1.50MAX.@0~3GHz; 1.80MAX.@3~4GHz
5. INSULATION RESISTANCE: ≥100 MΩ

ENVIRONMENTAL:

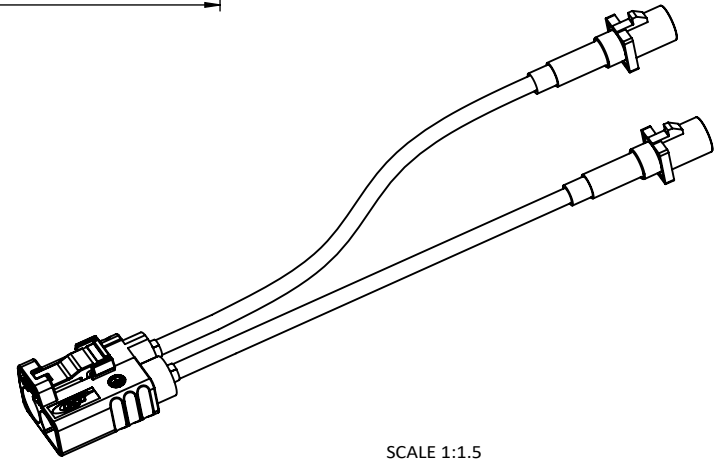
1. OPERATING TEMPERATURE: -40 °C TO +150 °C

MECHANICAL: GAGEMENT FORCE:

1. CONNECTOR INSERTION FORCE: ≤25 N
2. DISENGAGEMENT FORCE: ≥2 N
3. MATING CYCLE: ≥25 CYCLES
4. RETENTION FORCE LATCH: ≥110 DINGN
5. CODING EFFICIENCY: ≥40 N
6. USCAR-17 COMPLIANT

PACKAGING:

1. QUANTITY: SINGLE PACK



SCALE 1:1.5

4	H.S.T	HEAT SHRINK TUBE, ID5.0, BLACK	2
3	FAKRA PLUG	THERMOPLASTIC UL94V-0, 1u" AU	2
2	FAKRA JACK 1X2	THERMOPLASTIC UL94V-0, 30u" AU	1
1	CABLE	031 CABLE: 22AWG COAXIAL+AL+MYLAR+BRAID, OD: 3.2mm, JACKET: PVC BLACK	2

ITEM	PART	DESCRIPTION	QTY
	B	ECN-2402058(JOLIN)NEW P/N	23FEB2024
	A	ECN-2302037(OLIVER)X2 CHANGE TO A	10FEB2023
ZONE	REVISION	DESCRIPTION	DATE

2					
1	1410507001Z	C7S23ZZ3A04E1M0	1000 ± 30mm	W/O LOGO	Z/Z
ITEM	NEW P/N	OLD P/N	L (LENGTH)	LOGO	CODING TYPE
UNLESS OTHERWISE SPECIFIED TOLERANCE					
ANG. ±5°					
0. ±0.50					
.0 ±0.30					
.00 ±0.20					
SCALE: 1:1			UNIT: mm		
DRAWN: XINGRU_LAI		23 FEB 2024		TITLE:	
CHECKED: PEARL_HUNG		22 Mar 2024		FAKRA JACK 1X2 TO FAKRA PLUG_031 CABLE	
APPROVED: PEARL_HUNG		22 Mar 2024		PART NO. 1410507001Z	
		SIZE A4	SHEET 1/4	REV. B	C
CODE: GC		CUSTOMER:			



G
F
E
D
C
B
A

G
F
E
D
C
B
A

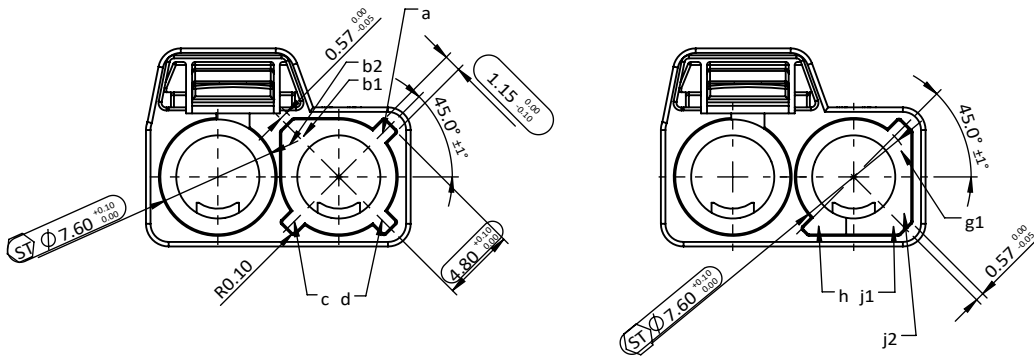
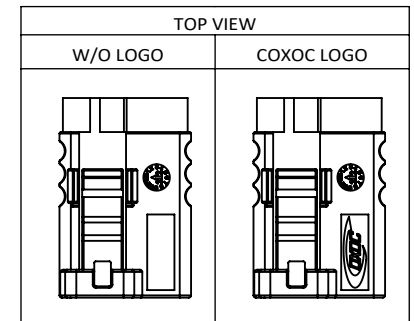
1 2 3 4 5 6 7 8 9 10

1 2 3 4 5 6 7 8 9 10

RoHS
compliant



A	B	C	D
JET BLACK SIMILAR RAL 9005	CREAM WHITE SIMILAR RAL 9001	SIGNAL BLUE SIMILAR RAL 5005	CLARET VIOLET SIMILAR RAL 4004
H	I	N	Z
HEATHER VIOLET SIMILAR RAL 4003	BEIGE SIMILAR RAL 1001	PASTEL GREEN SIMILAR RAL 6019	WATER BLUE SIMILAR RAL 5021



UNLESS OTHERWISE SPECIFIED TOLERANCE		SIP	 CHANT SINCERE CO.,LTD
ANG. +5° 0. +0.50 .0 +0.30 .00 ±0.20		Crk Cpk	
SCALE: AS SHOWN	UNIT: mm	TITLE: FAKRA JACK 1X2 TO FAKRA PLUG_031 CABLE	
DRAWN: XINGRU_LAI	23 FEB 2024	CHECKED: PEARL_HUNG	22 Mar 2024
APPROVED: PEARL_HUNG	10FEB2023	22 Mar 2024	REV. B
SIZE A4 SHEET 2/4		REV. B	PART NO. 1410507001Z
ZONE		REVISION	DESCRIPTION
1	2	3	4
CODE: GC		CUSTOMER:	
7	8	9	10

ZONE		REVISION	DESCRIPTION	DATE	SIZE	SHEET	REV.	CODE	CUSTOMER
1	2	3	4	5	6	7	8	9	10

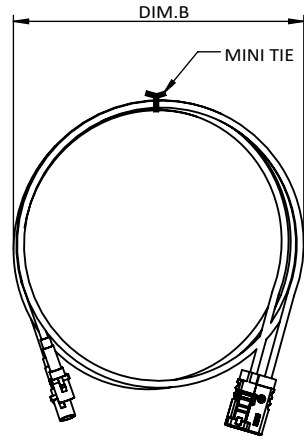
RoHS
compliant



A	B	C	D	E	F	G
JET BLACK SIMILAR RAL. 9005	CREAM WHITE SIMILAR RAL. 9001	SIGNAL BLUE SIMILAR RAL. 5005	CLARET VIOLET SIMILAR RAL. 4004	LEAF GREEN SIMILAR RAL. 6002	NUT BROWN SIMILAR RAL. 8011	BLUE GRAY SIMILAR RAL. 7031
H	I	K	L	M	N	Z
HEATHER VIOLET SIMILAR RAL. 4003	BEIGE SIMILAR RAL. 1001	CURRY SIMILAR RAL. 1027	CARMINE RED SIMILAR RAL. 3002	PASTEL ORANGE SIMILAR RAL. 2003	PASTEL GREEN SIMILAR RAL. 6019	WATER BLUE SIMILAR RAL. 5021

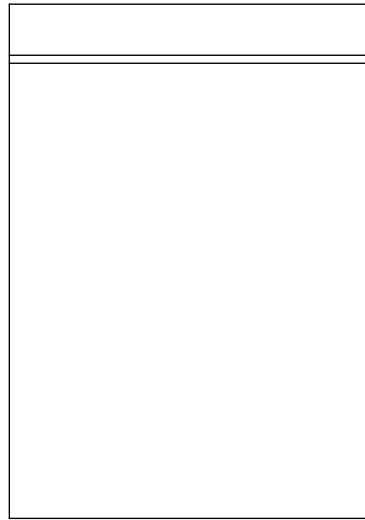
UNLESS OTHERWISE SPECIFIED TOLERANCE ANG. $\pm 5^\circ$ 0. ± 0.20 .0 ± 0.12 .00 ± 0.05	SIP Crk Cpk	 CHANT SINCERE CO.,LTD
SCALE: 2:1	UNIT: mm	
DRAWN: XINGRU_LAI	23 FEB 2024	TITLE: FAKRA JACK 1X2 TO FAKRA PLUG_031 CABLE
CHECKED: PEARL_HUNG	22 Mar 2024	
APPROVED: PEARL_HUNG	22 Mar 2024	PART NO. 1410507001Z
SIZE A4	SHEET 3/4	REV. B
		CODE: GC
		CUSTOMER:

	B	ECN-2402058(JOLIN)NEW P/N	23FEB2024
	A	ECN-2302037(OLIVER)X2 CHANGE TO A	10FEB2023
ZONE	REVISION	DESCRIPTION	DATE

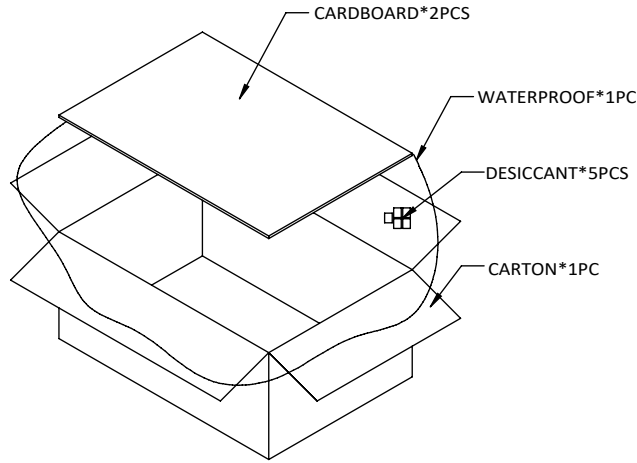
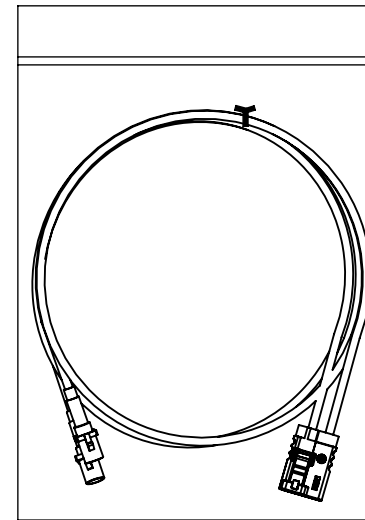


CABLE

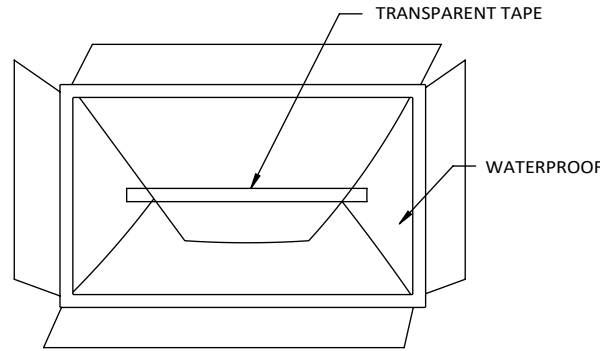
LENGHT	RANGE(LENGHT "B")
1m/3m	130 ±10mm



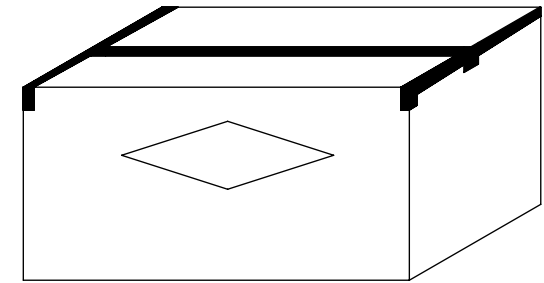
ZIP BAG: 240(L)X170(W)XT0.05mm



CARTON: 177.5(L)X130(W)X90(H)



(AFTER THE INSTALLED PRODUCT,
CARTON SEALING TAPE SHOULD BE TRANSPARENT)



裝箱數量依首批訂單為主

5	M90000EZ0000029	DESICCANT	2g
4	M9BE91461007009	WATERPROOF	914x610x0.07
3	M9DE295450000500	CARDBOARD(B3B)	295x450
2	M9CE451330229500	CARTON	17.75"x13"x9"
1	MQR1000NB10A0850	ZIP BAG	240x170mm
ITEM	PART NUMBER	DESCRIPTION	SPECIFICATION

UNLESS OTHERWISE SPECIFIED TOLERANCE		SIP Crk Cpk		 CHANT SINCERE CO.,LTD		
ANG.	±5°	SCALE:	AS SHOWN			UNIT:
0.	±0.50	DRAWN:	XINGRU_LAI	23 FEB 2024	TITLE:	FAKRA JACK 1X2 TO FAKRA PLUG_031 CABLE
.0	±0.30	CHECKED:	PEARL_HUNG	22 Mar 2024	PART NO.	1410507001Z
.00	±0.20	APPROVED:	PEARL_HUNG	22 Mar 2024	CODE:	GC
		SIZE	A4	SHEET	4/4	CUSTOMER:

B		ECN-2402058(JOLIN)NEW P/N	23FEB2024
A		ECN-2302037(OLIVER)X2 CHANGE TO A	10FEB2023
ZONE	REVISION	DESCRIPTION	DATE