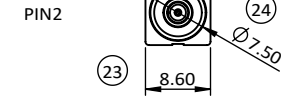
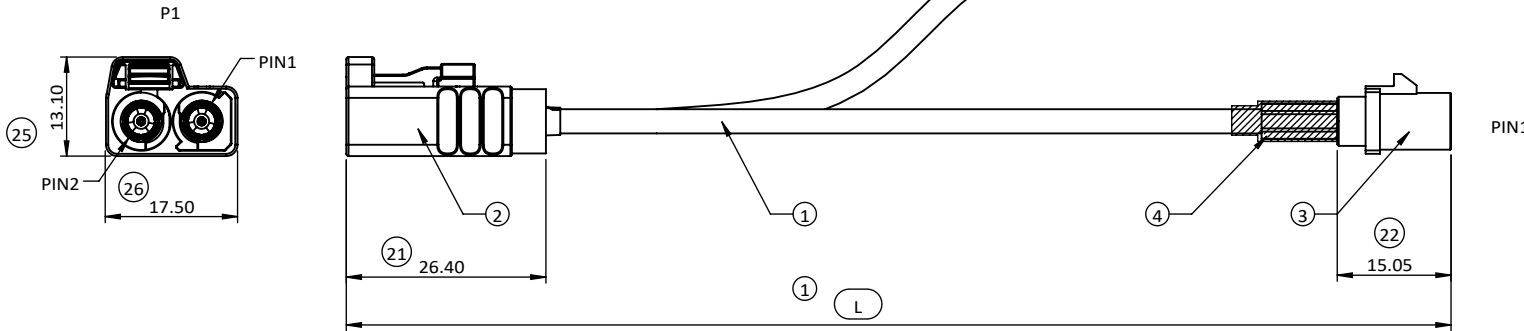


RoHS
compliant



SPECIFICATION

ELECTRICAL:

1. FINISHED CABLE 100% CONDUCTIVITY TEST
2. CHARACTERISTIC IMPEDANCE: 50 Ω
3. FREQUENCY: DC TO 4 GHz
4. VSWR: 1.50MAX.@0~3GHz; 1.80MAX.@3~4GHz
5. INSULATION RESISTANCE: ≥100 MΩ

MECHANICAL: GAGEMENT FORCE:

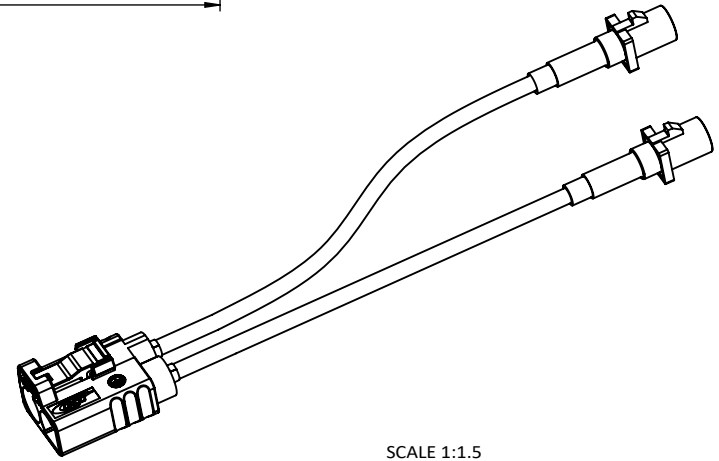
1. CONNECTOR INSERTION FORCE: ≤25 N
2. DISENGAGEMENT FORCE: ≥2 N
3. MATING CYCLE: ≥25 CYCLES
4. RETENTION FORCE LATCH: ≥110 DINGN
5. CODING EFFICIENCY: ≥40 N
6. USCAR-17 COMPLIANT

ENVIRONMENTAL:

1. OPERATING TEMPERATURE: -40 °C TO +150 °C

PACKAGING:

1. QUANTITY: SINGLE PACK



SCALE 1:1.5

2	1410507002Z	C7S23ZZ3A04E3M0	3000 ± 50mm	W/O LOGO	Z/Z
1	1410507001Z	C7S23ZZ3A04E1M0	1000 ± 30mm	W/O LOGO	Z/Z
ITEM	NEW P/N	OLD P/N	L (LENGTH)	LOGO	CODING TYPE

UNLESS OTHERWISE SPECIFIED TOLERANCE		SIP
ANG.	±5°	CmK Cpk
0.	±0.50	
.0	±0.30	
.00	±0.20	



4	H.S.T	HEAT SHRINK TUBE, ID5.0, BLACK	2
3	FAKRA PLUG	THERMOPLASTIC UL94V-0, 1u" AU	2
2	FAKRA JACK 1X2	THERMOPLASTIC UL94V-0, 30u" AU	1
1	031 CABLE	22AWG COAXLAL+AL+MYLAR+BRAID, OD: 3.2mm, JACKET: PVC BLACK	2
ITEM	PART	DESCRIPTION	QTY

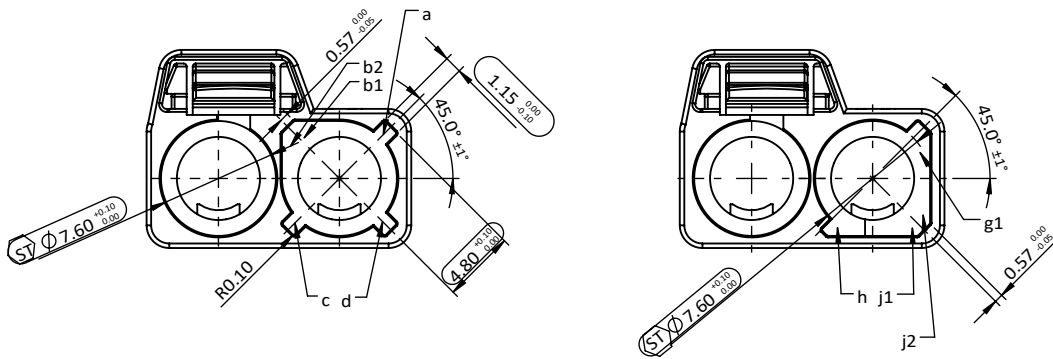
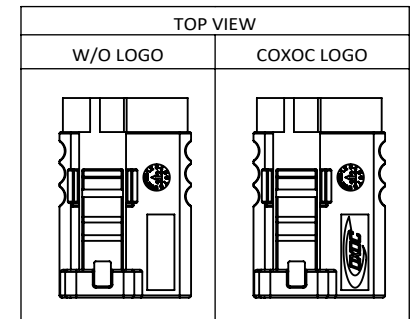
B6	C	ECN-2409001(ZOE)NEW P/N & SEE PAGE 4/4	02SEP2024
	B	ECN-2402058(JOLIN)NEW P/N	23FEB2024
	A	ECN-2302037(OLIVER)X2 CHANGE TO A	10FEB2023
ZONE	REVISION	DESCRIPTION	DATE

SCALE:	1:1	UNIT:	mm
DRAWN:	HOLLY_TU	02 SEP 2024	TITLE:
CHECKED:	PEARL_HUNG	02 Sep 2024	FAKRA JACK 1X2 TO FAKRA PLUG_031 CABLE
APPROVED:	PEARL_HUNG	02 Sep 2024	PART NO. 1410507XXXX
	SIZE A4	SHEET 1/4	REV. C
			CODE: GC
			CUSTOMER:

RoHS
compliant



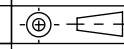
A	B	C	D
JET BLACK SIMILAR RAL 9005	CREAM WHITE SIMILAR RAL 9001	SIGNAL BLUE SIMILAR RAL 5005	CLARET VIOLET SIMILAR RAL 4004
H	I	N	Z
HEATHER VIOLET SIMILAR RAL 4003	BEIGE SIMILAR RAL 1001	PASTEL GREEN SIMILAR RAL 6019	WATER BLUE SIMILAR RAL 5021



UNLESS OTHERWISE SPECIFIED TOLERANCE	SIP
ANG. +5°	Cmk Cpk
0. +0.50	
.0 +0.30	
.00 ±0.20	
SCALE: AS SHOWN	UNIT: mm



	C	ECN-2409001(ZOE)SEE PAGE 1/4 & 4/4	02SEP2024	DRAWN: HOLLY_TU	02 SEP 2024	TITLE:
	B	ECN-2402058(JOLIN)NEW P/N	23FEB2024	CHECKED: PEARL_HUNG	02 Sep 2024	FAKRA JACK 1X2 TO FAKRA PLUG_031 CABLE
	A	ECN-2302037(OLIVER)X2 CHANGE TO A	10FEB2023	APPROVED: PEARL_HUNG	02 Sep 2024	PART NO. 1410507XXXX
ZONE	REVISION	DESCRIPTION	DATE	SIZE A4	SHEET 2/4	REV. C
1	2	3	4	5	6	7
						8
						9
						10



RoHS
compliant

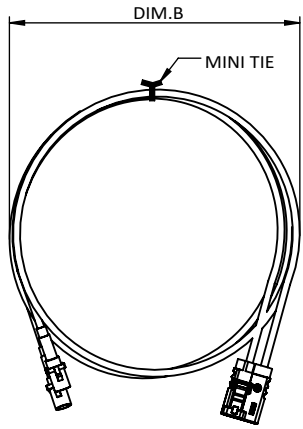


A	B	C	D	E	F	G
JET BLACK SIMILAR RAL. 9005	CREAM WHITE SIMILAR RAL. 9001	SIGNAL BLUE SIMILAR RAL. 5005	CLARET VIOLET SIMILAR RAL. 4004	LEAF GREEN SIMILAR RAL. 6002	NUT BROWN SIMILAR RAL. 8011	BLUE GRAY SIMILAR RAL. 7031
H	I	K	L	M	N	Z
HEATHER VIOLET SIMILAR RAL. 4003	BEIGE SIMILAR RAL. 1001	CURRY SIMILAR RAL. 1027	CARMINE RED SIMILAR RAL. 3002	PASTEL ORANGE SIMILAR RAL. 2003	PASTEL GREEN SIMILAR RAL. 6019	WATER BLUE SIMILAR RAL. 5021

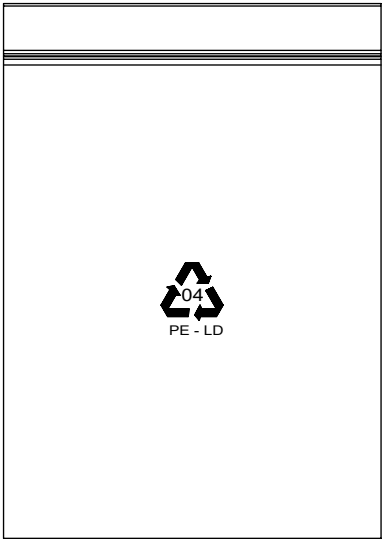
UNLESS OTHERWISE SPECIFIED TOLERANCE	SIP
ANG. $\pm 5^\circ$	Cmk Cpk
0. ± 0.20	
.0 ± 0.12	
.00 ± 0.05	
SCALE: 2:1	UNIT: mm



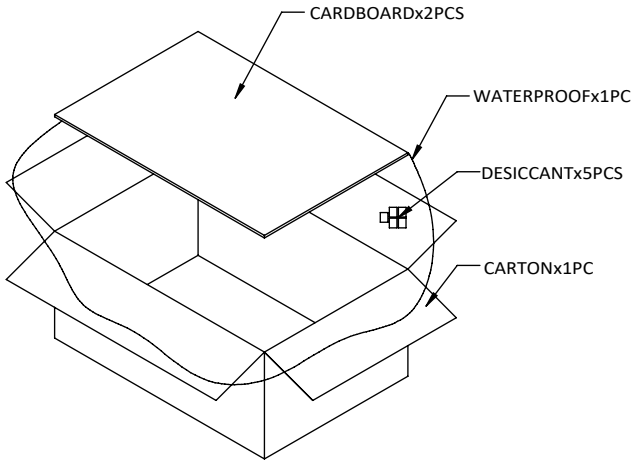
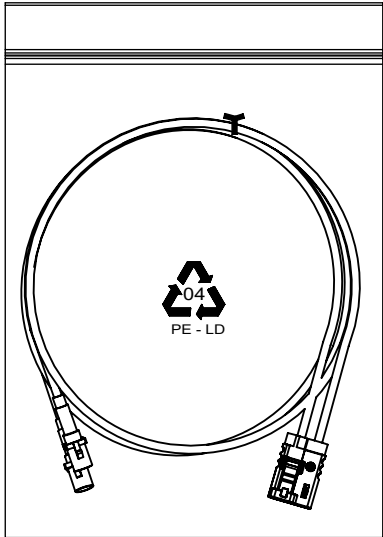
	C	ECN-2409001(ZOE)SEE PAGE 1/4 & 4/4	02SEP2024	DRAWN: HOLLY_TU	02 SEP 2024	TITLE: FAKRA JACK 1X2 TO FAKRA PLUG_031 CABLE			
	B	ECN-2402058(JOLIN)NEW P/N	23FEB2024	CHECKED: PEARL_HUNG	02 Sep 2024				
	A	ECN-2302037(OLIVER)X2 CHANGE TO A	10FEB2023	APPROVED: PEARL_HUNG	02 Sep 2024				
ZONE	REVISION	DESCRIPTION	DATE		SIZE A4	SHEET 3/4	REV. C	CODE: GC	CUSTOMER:



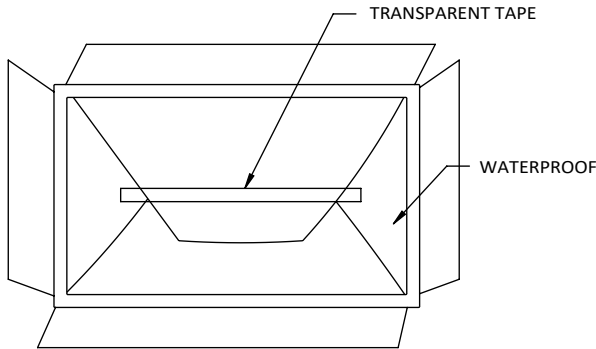
CABLE	
LENGHT	RANGE(LENGHT "B")
1m/3m	130 ±10mm



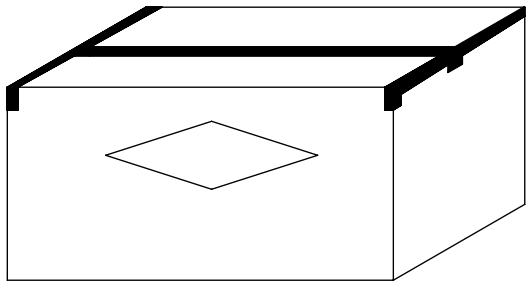
ZIP BAG: 240(L)x170(W)xT0.05mm



CARTON: 177.5(L)x130(W)x90(H)



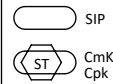
(AFTER THE INSTALLED PRODUCT,
CARTON SEALING TAPE SHOULD BE TRANSPARENT)



裝箱數量依首批訂單為主

5	M90000EZ0000029	DESICCANT	2g
4	M9BE91461007009	WATERPROOF	914x610x0.07
3	M9DE295450000500	CARDBOARD(B3B)	295x450
2	M9CE451330229500	CARTON	17.75"x13"x9"
1	M9BE24017000811	ZIP BAG	240x170mm

UNLESS OTHERWISE SPECIFIED TOLERANCE	
ANG.	±5°
0.	±0.50
.0	±0.30
.00	±0.20



ITEM	PART NUMBER	DESCRIPTION	SPECIFICATION
	C	ECN-2409001(ZOE)MODIFY ZIP BAG & SEE PAGE 1/4	02SEP2024
	B	ECN-2402058(JOLIN)NEW P/N	23FEB2024
	A	ECN-2302037(OLIVER)X2 CHANGE TO A	10FEB2023
ZONE	REVISION	DESCRIPTION	DATE

SCALE:	AS SHOWN	UNIT:	mm
DRAWN:	HOLLY_TU	02 SEP 2024	
CHECKED:	PEARL_HUNG	02 Sep 2024	
APPROVED:	PEARL_HUNG	02 Sep 2024	
SIZE	A4	SHEET	4/4
REV.	C		

TITLE:	FAKRA JACK 1X2 TO FAKRA PLUG_031 CABLE		
PART NO.	1410507XXXX		
CODE:	GC	CUSTOMER:	