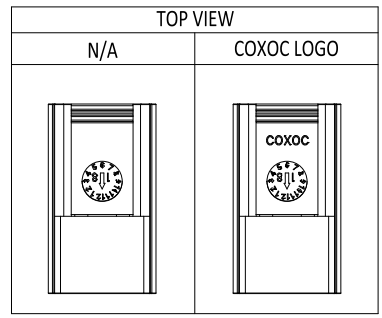
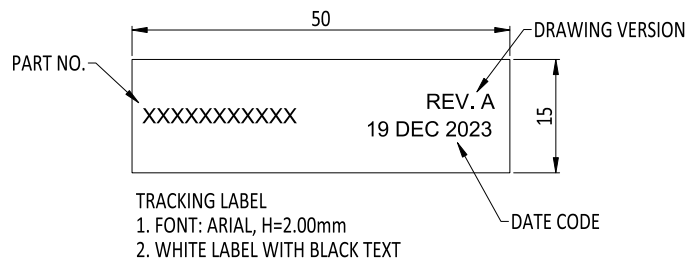
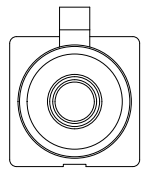
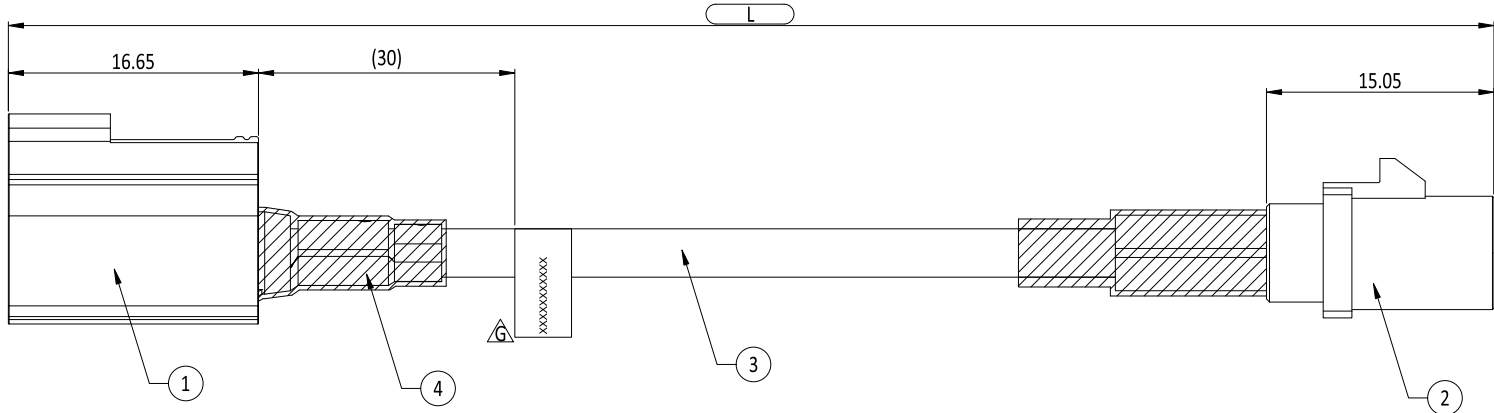
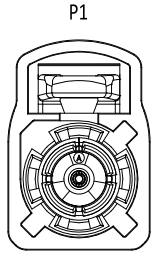


RoHS compliant



SPECIFICATION
ELECTRICAL CHARACTERISTIC:
 1. FINISHED CABLE 100% CONDUCTIVITY TEST
 2. CHARACTERISTIC IMPEDANCE: 50 Ω

ENVIRONMENTAL CHARACTERISTIC:
 1. OPERATING TEMPERATURE RANGE: -40°C TO +105°C

6	1410503006X	N/A	2000±50mm	COXOC LOGO	
5	1410503005X	C7S23XX3A02SE30C	300±15mm	COXOC LOGO	
4	1410503004X	C7S23XX3A02SE3M0	3000±50mm	COXOC LOGO	
3	1410503003X	C7S23XX3A02SE4M5	4500±50mm	COXOC LOGO	
2	1410503002X	C7S23XX3A02E1M0	1000±30mm	N/A	W/O LABEL
1	1410503001X	C7S23XX3A02E635	635±30mm	N/A	W/O LABEL
ITEM	PART NO.	OLD P/N	L (LENGTH)	LOGO	NOTE

4	HST	HEAT SHRINK TUBE, BLACK	A/R
3	O31 CABLE	22AWG COAXIAL+AL-MYLAR+BRAID OD: 3.3±0.2, JACKET: PVC, BLACK	1
2	FAKRA PLUG CNC	TEFLON, 1u" AU	1
1	FAKRA JACK	THERMOPLASTIC UL94V-0, 30u" AU	1
ITEM	PART	DESCRIPTION	Q'TY

UNLESS OTHERWISE SPECIFIED TOLERANCE

ANG. ±5°
 0. ±0.50
 .0 ±0.30
 .00 ±0.20

SIP
 Cmk
 Cpk

SCALE: 2:1 UNIT: mm

DRAWN: CANDY_CHEN 22 Jan 2026
 CHECKED: PEARL_HUNG 27 Jan 2026
 APPROVED: PEARL_HUNG 27 Jan 2026

TITLE: PDR-21004
 FAKRA JACK TO FAKRA PLUG(CNC) CABLE (RTK-031)

CHANT SINCERE CO.,LTD

PART NO. 1410503XXXX
 CODE: GC CUSTOMER:

C6	I	ECN-2601075(JOAN)ADD P/N 1410503006X	22JAN2026
B10	H	ECN-2501098(VICKY)ADD DESCRIPTION W/O LABEL	22JAN2025
C6, F4	G	ECN-2501029(JOAN)ADD NEW P/N \ LABEL & SEE PAGE 4/4	08JAN2025
ZONE	REVISION	DESCRIPTION	DATE

RoHS
compliant



FAKRA JACK

A	B	C	D	E	F	G
JET BLACK SIMILAR RAL 9005	CREAM WHITE SIMILAR RAL 9001	SIGNAL BLUE SIMILAR RAL 5005	CLARET VIOLET SIMILAR RAL 4004	LEAF GREEN SIMILAR RAL 6002	NUT BROWN SIMILAR RAL 8011	BLUE GRAY SIMILAR RAL 7031
H	I	K	L	M	N	Z
HEATHER VIOLET SIMILAR RAL 4003	BEIGE SIMILAR RAL 1001	CURRY SIMILAR RAL 1027	CARMINE RED SIMILAR RAL 3002	PASTEL ORANGE SIMILAR RAL 2003	PASTEL GREEN SIMILAR RAL 6019	WATER BLUE SIMILAR RAL 5021

UNLESS OTHERWISE SPECIFIED TOLERANCE		SIP
ANG.	±5°	Crk Cpk
0.	±0.50	
.0	±0.30	
.00	±0.20	
SCALE:	2:1	UNIT: mm
DRAWN:	CANDY_CHEN	22 Jan 2026
CHECKED:	PEARL_HUNG	27 Jan 2026
APPROVED:	PEARL_HUNG	27 Jan 2026
	SIZE A4	SHEET 2/4
	REV.	I

CHANT SINCERE CO.,LTD	
TITLE: PDR-21004	
FAKRA JACK TO FAKRA PLUG(CNC) CABLE (RTK-031)	
PART NO.	1410503XXXX
CODE: GC	CUSTOMER:

I	ECN-2601075(JOAN)SEE PAGE 1/4	22JAN2026	
H	ECN-2501098(VICKY)SEE PAGE 1/4	22JAN2025	
G	ECN-2501029(JOAN)SEE PAGE 1/4 & 4/4	08JAN2025	
ZONE	REVISION	DESCRIPTION	DATE

RoHS
compliant



FAKRA PLUG

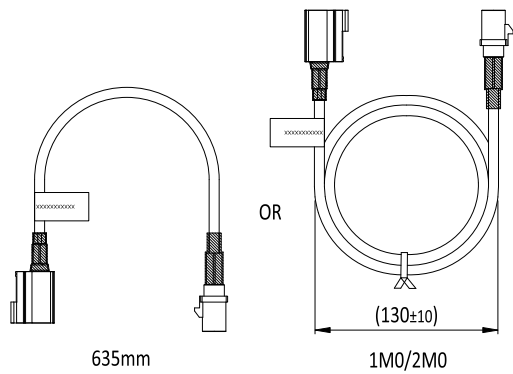
A	B	C	D	E	F	G
JET BLACK SIMILAR RAL 9005	CREAM WHITE SIMILAR RAL 9001	SIGNAL BLUE SIMILAR RAL 5005	CLARET VIOLET SIMILAR RAL 4004	LEAF GREEN SIMILAR RAL 6002	NUT BROWN SIMILAR RAL 8011	BLUE GRAY SIMILAR RAL 7031
H	I	K	L	M	N	Z
HEATHER VIOLET SIMILAR RAL 4003	BEIGE SIMILAR RAL 1001	CURRY SIMILAR RAL 1027	CARMINE RED SIMILAR RAL 3002	PASTEL ORANGE SIMILAR RAL 2003	PASTEL GREEN SIMILAR RAL 6019	WATER BLUE SIMILAR RAL 5021

UNLESS OTHERWISE SPECIFIED TOLERANCE		SIP
ANG.	±5°	Crk Cpk
0.	±0.50	
.0	±0.30	
.00	±0.20	
SCALE:	2:1	UNIT: mm
DRAWN:	CANDY_CHEN	22 Jan 2026
CHECKED:	PEARL_HUNG	27 Jan 2026
APPROVED:	PEARL_HUNG	27 Jan 2026
	SIZE A4	SHEET 3/4
	REV.	I

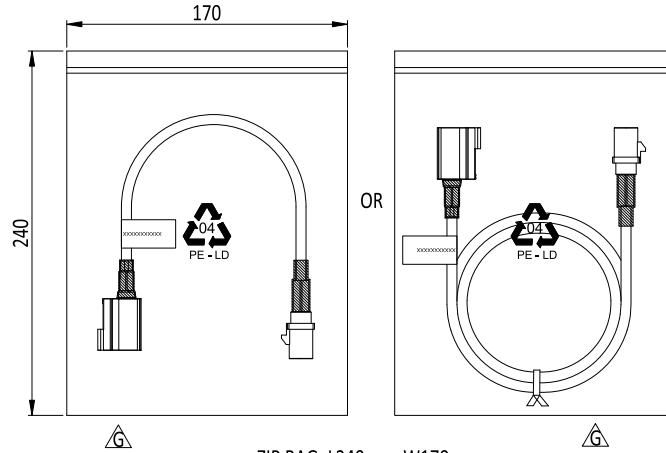
CHANT SINCERE CO.,LTD	
TITLE: PDR-21004	
FAKRA JACK TO FAKRA PLUG(CNC) CABLE (RTK-031)	
PART NO.	1410503XXXX
CODE: GC	CUSTOMER:

	I	ECN-2601075(JOAN)SEE PAGE 1/4	22JAN2026
	H	ECN-2501098(VICKY)SEE PAGE 1/4	22JAN2025
	G	ECN-2501029(JOAN)SEE PAGE 1/4 & 4/4	08JAN2025
ZONE	REVISION	DESCRIPTION	DATE

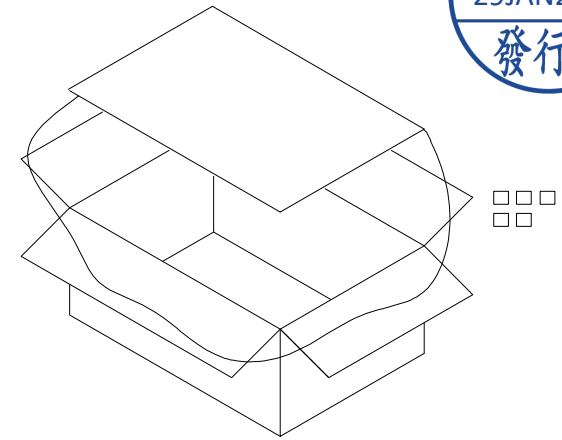
RoHS compliant



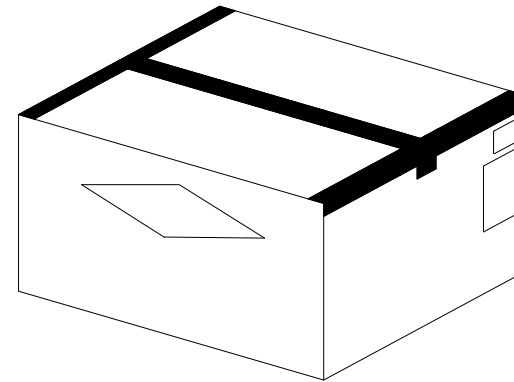
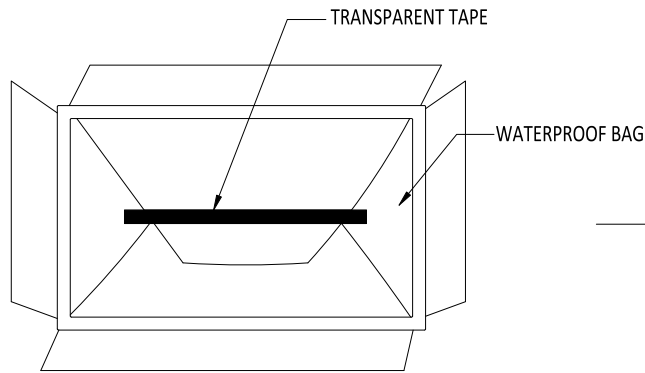
FAKRA STRAIGHT JACK CABLE



ZIP BAG: L240mmxW170mm
1PC CABLE/ZIP BAG



CARTON



(裝箱數量依首批實際訂單為主)

包裝說明:

1. 單PC成品繞線後放入夾鍊袋
2. 先在紙箱底部放一層隔板, 再套一個防水袋, 將產品整齊擺放至紙箱中, 上面放入乾燥劑, 收攏袋口, 最後上層放一層隔板, 裝好產品後, 防水袋需用透明膠紙封口

UNLESS OTHERWISE SPECIFIED TOLERANCE		SIP		 CHANT SINCERE CO.,LTD
ANG.	±5°	ST Cmk Cpk		
0.	±0.50	UNIT: mm		TITLE: PDR-21004
.0	±0.30	SCALE: AS SHOWN	DRAWN: CANDY_CHEN	22 Jan 2026
.00	±0.20	DATE: 08JAN2025	CHECKED: PEARL_HUNG	27 Jan 2026
APPROVED: PEARL_HUNG		DATE: 08JAN2025		PART NO. 1410503XXXX
		SIZE A4	SHEET 4/4	REV. I
CODE: GC		CUSTOMER:		

	I	ECN-2601075(JOAN)SEE PAGE 1/4	22JAN2026
	H	ECN-2501098(VICKY)SEE PAGE 1/4	22JAN2025
F5, F6	G	ECN-2501029(JOAN)MODIFY BOX · ZIP BAG & SEE PAGE 1/4	08JAN2025
ZONE	REVISION	DESCRIPTION	DATE