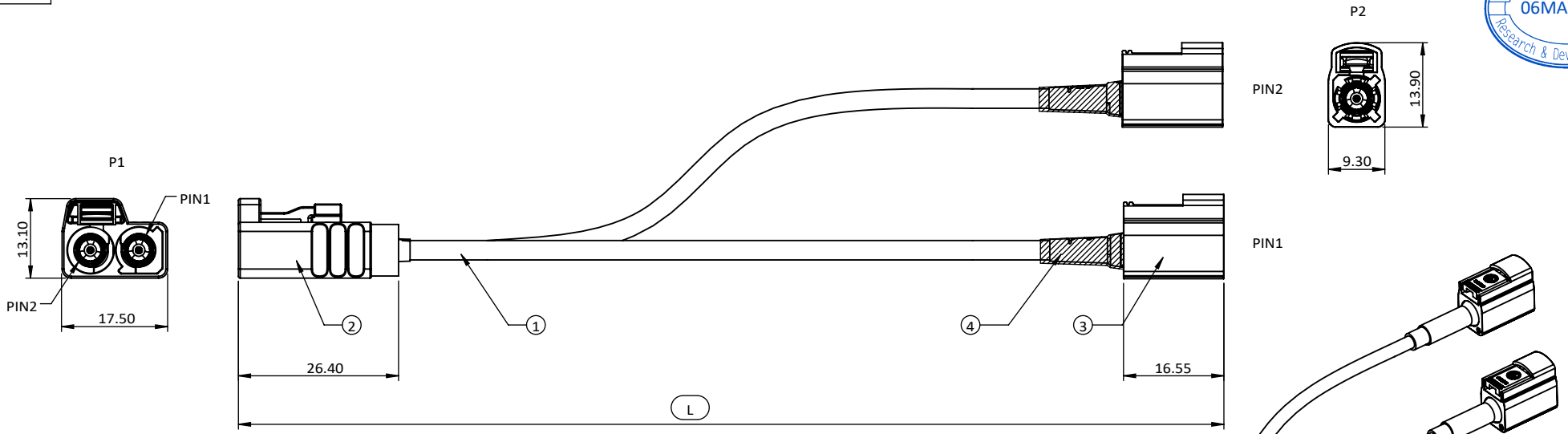


RoHS  
compliant



**SPECIFICATION**

**ELECTRICAL CHARACTERISTIC:**

1. CHARACTERISTIC IMPEDANCE: 50 Ω
2. FINISHED CABLE 100% CONDUCTIVITY TEST
3. FREQUENCY: DC TO 4 GHz
4. VSWR: 1.50 MAX.@0~3GHz; 1.80 MAX.@3~4GHz
5. INSULATION RESISTANCE: ≥100 MΩ

**MECHANICAL CHARACTERISTIC:**

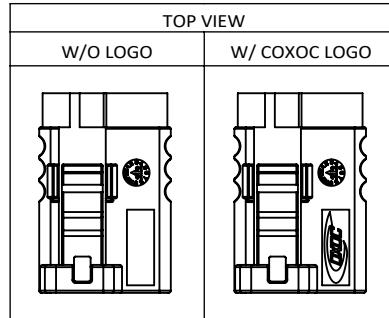
1. CONNECTOR INSERTION FORCE: ≤25 N
2. DISENGAGEMENT FORCE: ≥2 N
3. MATING CYCLE: ≥25 CYCLES
4. RETENTION FORCE LATCH: ≥110 N
5. MISMATING ORIENTATION EFFECTIVENESS: ≥40 N
6. USCAR-17 COMPLIANT

**ENVIRONMENT:**

1. OPERATING TEMPERATURE RANGE: -40°C TO +105°C

**PACKING STYLE:**

1. QUANTITY: SINGLE PACK



4	HST	HEAT SHRINK TUBE, ID: 5.0mm, BLACK	2
3	FAKRA JACK	PBT UL94V-0, 30u" AU	2
2	FAKRA JACK 1x2 JACK	PBT UL94V-0, 30u" AU	1
1	CABLE	031 CABLE : 22 AWG COAXIAL+AL+MYLAR+BRAID, OD:3.2mm, JACKET: PVC BLACK	A/R
ITEM	DESCRIPTION	MATERIAL	Q'TY

1	1410304001Z	C7524ZZ3A04SE1M0	1000±30mm	Z/Z CODE	W/ COXOC LOGO	
ITEM	NEW P/N	OLD P/N	L ( LENGTH )	CODING	LOGO	NOTE
UNLESS OTHERWISE SPECIFIED TOLERANCE			SIP Crk Cpk			
ANG. ±5°			SCALE: 1:1			
0. ±0.50			UNIT: mm			
.0 ±0.30			DRAWN: BENSON_ZHENG			
.00 ±0.20			12 09 2023			
CHECKED: WEIWEI_CHANG			12 09 2023			
APPROVED: JASON_HUANG			12 09 2023			
TITLE: PDR-22010			PART NO. 1410304001X			
FAKRA 1x2 JACK TO FAKRA JACK x2 CABLE			CODE: GC			
CUSTOMER:						
ZONE	REVISION	DESCRIPTION	DATE	SIZE	SHEET	REV.
2	3	4	5	6	7	8

B		ECN-2308057(JOLIN)NEW P/N	25AUG2023	
A		ECN-2302037(OLIVER)X2 CHANGE TO A	10FEB2023	
ZONE	REVISION	DESCRIPTION	DATE	SIZE
2	3	4	5	6

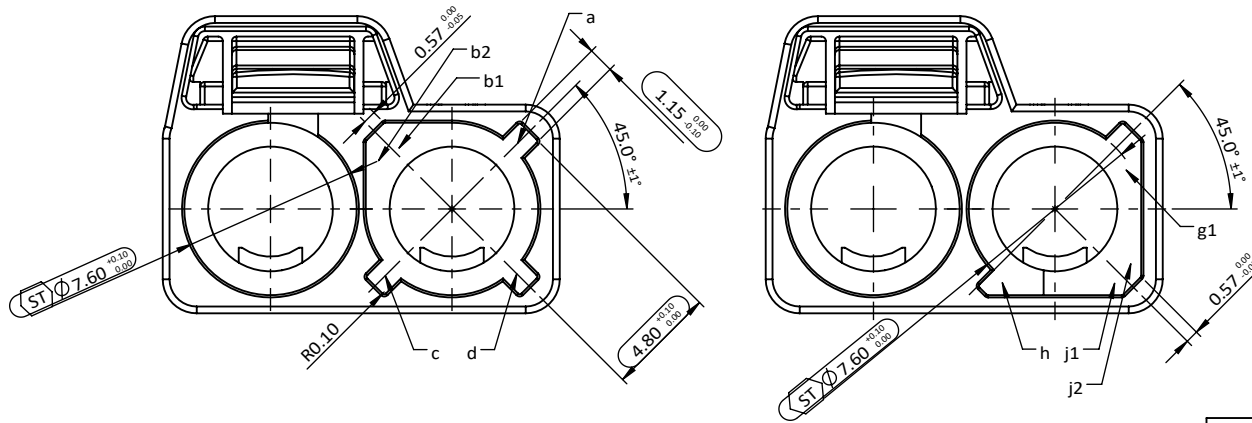
SCALE 1:1.5



RoHS  
compliant



A	B	C	D
JET BLACK SIM. 9005	CREAM WHITE SIM. 9001	SIGNAL BLUE SIM. 5005	CLARET VIOLET SIM. 4004
H	I	N	Z
HEATHER VIOLET SIM. 4003	BEIGE SIM. 1001	PASTEL GREEN SIM. 6019	WATER BLUE SIM. 5021



UNLESS OTHERWISE SPECIFIED TOLERANCE		SIP	 <b>CHANT SINCERE CO.,LTD</b>
ANG.    +5° 0.       +0.50 .0       +0.30 .00      +0.20		CmK Cpk	
SCALE:       2:1	UNIT:       mm	TITLE: PDR-22010	
DRAWN:       BENSON_ZHENG	12 09 2023	FAKRA 1x2 JACK TO FAKRA JACK x2 CABLE	
CHECKED:     WEIWEI_CHANG	12 09 2023	PART NO.     1410304001X	
APPROVED:    JASON_HUANG	12 09 2023	CODE:       GC	CUSTOMER:
SIZE A4	SHEET 2/4	REV.        B	

ZONE	REVISION	DESCRIPTION	DATE
B	ECN-2308057(JOLIN)SEE PAGE 1/4	25AUG2023	
A	ECN-2302037(OLIVER)X2 CHANGE TO A	10FEB2023	

**RoHS**  
compliant

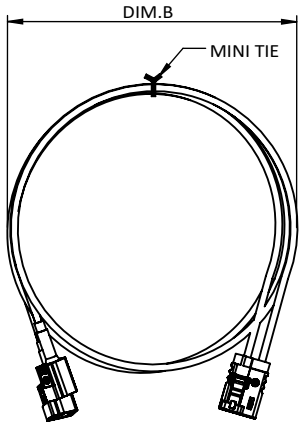


A	B	C	D	E	F	G
JET BLACK SIM. 9005	CREAM WHITE SIM. 9001	SIGNAL BLUE SIM. 5005	CLARET VIOLET SIM. 4004	LEAF GREEN SIM. 6002	NUT BROWN SIM. 8011	BLUE GRAY SIM. 7031
H	I	K	L	M	N	Z
HEATHER VIOLET SIM. 4003	BEIGE SIM. 1001	CURRY SIM. 1027	CARMINE RED SIM. 3002	PASTEL ORANGE SIM. 2003	PASTEL GREEN SIM. 6019	WATER BLUE SIM. 5021

UNLESS OTHERWISE SPECIFIED TOLERANCE ANG. $\pm 5^\circ$ 0. $\pm 0.50$ .0 $\pm 0.30$ .00 $\pm 0.20$	SIP Crk Cpk	 <b>CHANT SINCERE CO.,LTD</b> TITLE: PDR-22010 FAKRA 1x2 JACK TO FAKRA JACK x2 CABLE
SCALE: 2:1	UNIT: mm	
DRAWN: BENSON_ZHENG	12 09 2023	PART NO. 1410304001X
CHECKED: WEIWEI_CHANG	12 09 2023	
APPROVED: JASON_HUANG	12 09 2023	REV. B
SIZE A4	SHEET 3/4	CODE: GC
		CUSTOMER:

	B	ECN-2308057(JOLIN)SEE PAGE 1/4	25AUG2023
	A	ECN-2302037(OLIVER)X2 CHANGE TO A	10FEB2023
ZONE	REVISION	DESCRIPTION	DATE

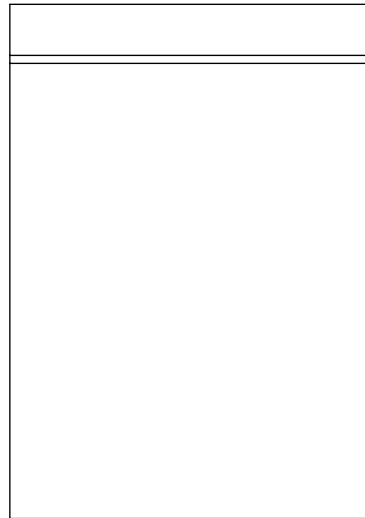
**RoHS**  
compliant



CABLE

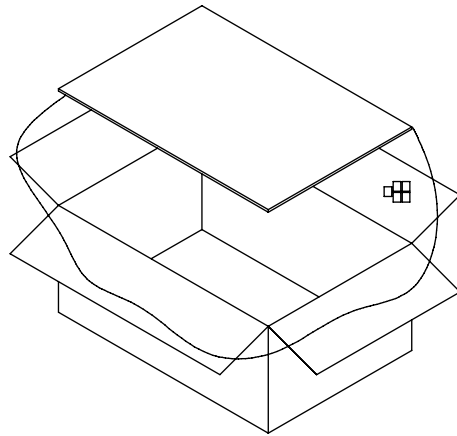
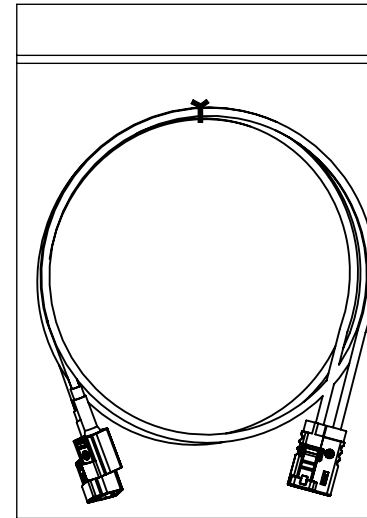
LENGHT	RANGE(LENGHT "B")
1m/3m	130 ±10mm

+

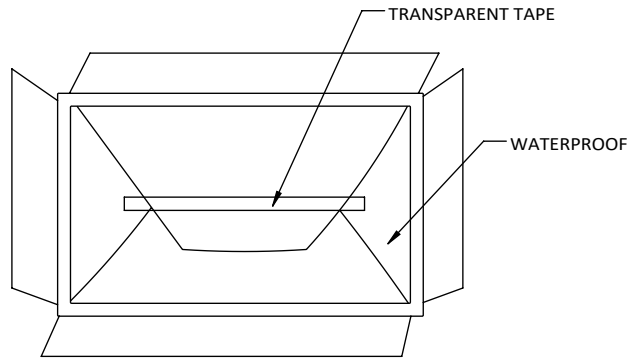


ZIP BAG: 240(L)x170(W)xT0.05mm

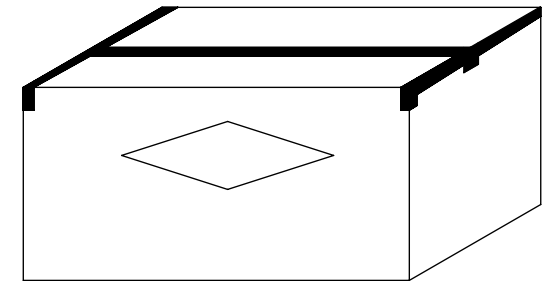
→



CARTON: 177.5(L)x130(W)x90(H)



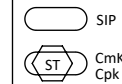
(AFTER THE INSTALLED PRODUCT,  
CARTON SEALING TAPE SHOULD BE TRANSPARENT)



(THE PACKING QUANTITY IS BASED ON  
THE FIRST BATCH OF ACTUAL ORDER )

5	DESICCANT	M90000EZ0000029	2g	5 PCS/CARTON	
4	WATERPROOF	M9BE91461007009	914"x610"x0.07mm	1 PC/CARTON	
3	CARDBOARD(B3B)	M9DE295450000500	295x450mm	2 PCS/CARTON	
2	CARTON	M9CE451330229500	17.75"x13"x9"	1 PC/CARTON	
1	ZIP BAG	MQR1000NB10A0850	240(L)x170(W)mm	1PC CABLE/ZIP BAG	

UNLESS OTHERWISE SPECIFIED TOLERANCE	
ANG.	±5°
0.	±0.50
.0	±0.30
.00	±0.20



**CHANT SINCERE CO.,LTD**

ITEM	DESCRIPTION	PART NUMBER	SPECIFICATION	AMOUNT	NOTE
		B	ECN-2308057(JOLIN)SEE PAGE 1/4		25AUG2023
		A	ECN-2302037(OLIVER)X2 CHANGE TO A		10FEB2023
	ZONE	REVISION	DESCRIPTION		DATE

SCALE:	AS SHOWN	UNIT:	mm
DRAWN:	BENSON_ZHENG	12 09 2023	
CHECKED:	WEIWEI_CHANG	12 09 2023	
APPROVED:	JASON_HUANG	12 09 2023	
		REV.	B

TITLE: PDR-22010  
FAKRA 1x2 JACK TO FAKRA JACK x2 CABLE

PART NO. 1410304001X

SIZE	A4	SHEET	4/4
------	----	-------	-----

CODE: GC CUSTOMER: