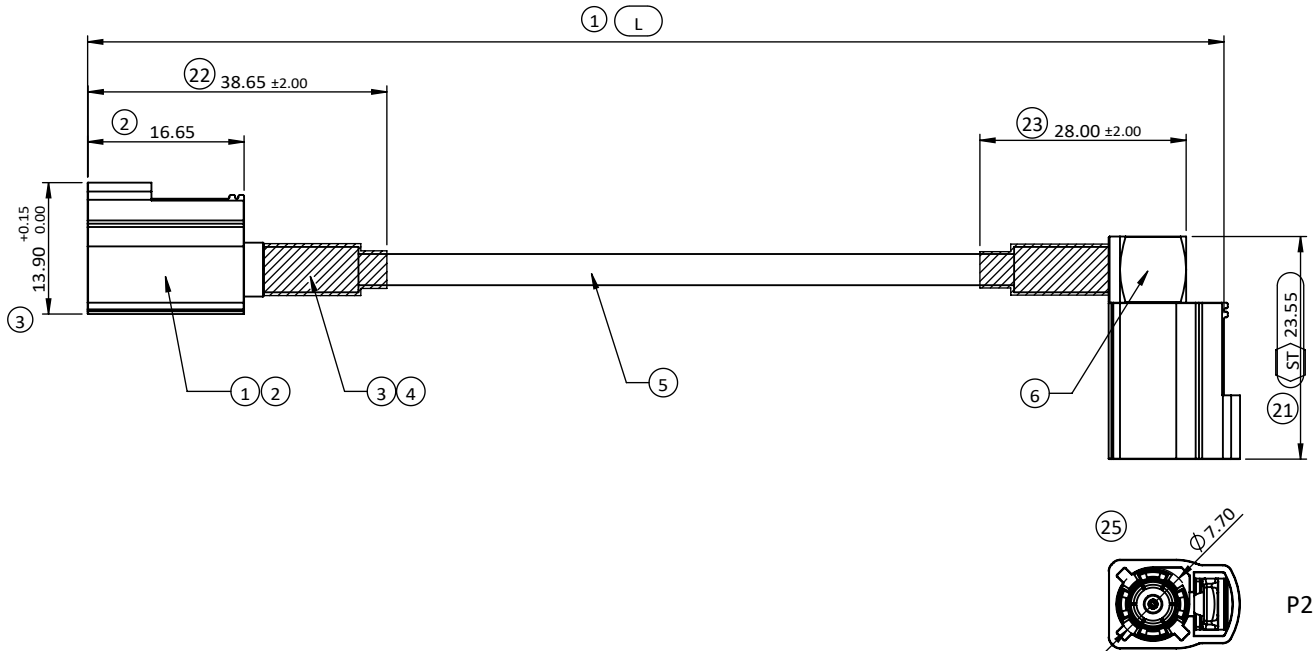
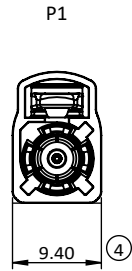


RoHS
compliant



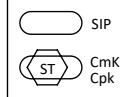
SPECIFICATION
ELECTRICAL CHARACTERISTIC:
 1. CHARACTERISTIC IMPEDANCE: 50 Ω
 2. FINISHED CABLE 100% CONDUCTIVITY TEST

ENVIRONMENT:
 1. OPERATING TEMPERATURE RANGE: -40°C TO +105°C



6	1410202005Z	N/A	720±15mm	Z/Z CODE	W/ COXOC LOGO	
5	1410202004Z	C7S74ZZ3A01SE2M0	2000±50mm	Z/Z CODE	W/ COXOC LOGO	
4	1410202003Z	C7S74ZZ3A01SE1M0	1000±30mm	Z/Z CODE	W/ COXOC LOGO	
3	1410202002Z	C7S74ZZ3A01E3M0	3000±50mm	Z/Z CODE	W/O LOGO	
2	1410202001Z	C7S74ZZ3A01E1M0	1000±30mm	Z/Z CODE	W/O LOGO	
1	1410202001A	C7S74AA3A01E1M0	1000±30mm	A/A CODE	W/O LOGO	
ITEM	NEW P/N	OLD P/N	L (LENGTH)	CODING	LOGO	NOTE

UNLESS OTHERWISE SPECIFIED TOLERANCE	
ANG.	+2°
0.	+0.30
.0	+0.20
.00	+0.10



6	FAKRA JACK R/A	BRASS, TEFLON WHITE, CONNECT ,1~3u" AU PLATED	1
5	CABLE	(RTK031)22AWG COAXIAL + AL-MYLAR+BRALA ID: 3.2 ±0.1, JACKET: PVC, BLACK	1
4	HST	HEAT SHRINK TUBE, ID: 5.0, BLACK	1
3	COPPER TUBE	BRASS, 100~130u" NI PLATED	1
2	FAKRA JACK STR	BRASS, TEFLON WHITE, CONNECT ,1~3u" AU PLATED	1
1	CODING HOUSING	XPBT 1300, UL94V-0	1
ITEM	DESCRIPTION	MATERIAL	Q'TY

C6	F	ECN-2406096(JOAN)ADD P/N	25JUN2024	DRAWN: HOLLY_TU	25 Jun 2024	TITLE: PDR-21021 FAKRA JACK TO JACK CABLE (CNC VERSION)			
C6	E	ECN-2402064(JOAN)ADD P/N	28FEB2024	CHECKED: PEARL_HUNG	25 Jun 2024				
	D	ECN-2308045(JOLIN)NEW P/N	17AUG2023	APPROVED: PEARL_HUNG	25 Jun 2024				
ZONE	REVISION	DESCRIPTION	DATE	④	SIZE A4	SHEET 1/3	REV. F	CODING: Z10	CUSTOMER:
1	2	3	4	5	6	7	8	9	10

RoHS
compliant



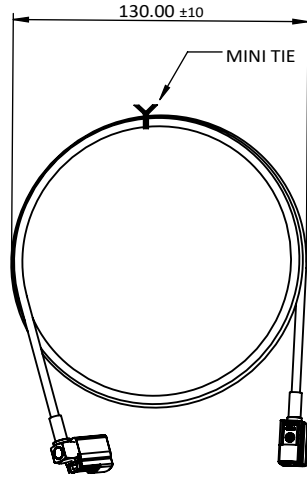
A	B	C	D	E	F	G
JET BLACK SIMILAR RAL 9005	CREAM WHITE SIMILAR RAL 9001	SIGNAL BLUE SIMILAR RAL 5005	CLARET VIOLET SIMILAR RAL 4004	LEAF GREEN SIMILAR RAL 6002	NUT BROWN SIMILAR RAL 8011	BLUE GRAY SIMILAR RAL 7031
H	I	K	L	M	N	Z
HEATHER VIOLET SIMILAR RAL 4003	BEIGE SIMILAR RAL 1001	CURRY SIMILAR RAL 1027	CARMINE RED SIMILAR RAL 3002	PASTEL ORANGE SIMILAR RAL 2003	PASTEL GREEN SIMILAR RAL 6019	WATER BLUE SIMILAR RAL 5021

UNLESS OTHERWISE SPECIFIED TOLERANCE	SIP
ANG. $\pm 2^\circ$	Crk Cpk
0. ± 0.30	
.0 ± 0.20	
.00 ± 0.10	
SCALE: 2:1	UNIT: mm



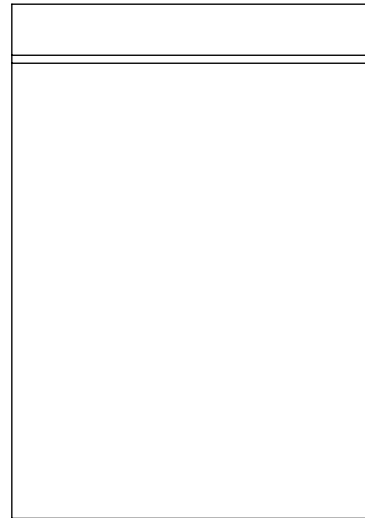
	F	ECN-2406096(JOAN)SEE PAGE 1/3	25JUN2024	DRAWN: HOLLY_TU	25 Jun 2024	TITLE: PDR-21021 FAKRA JACK TO JACK CABLE (CNC VERSION)			
	E	ECN-2402064(JOAN)SEE PAGE 1/3	28FEB2024	CHECKED: PEARL_HUNG	25 Jun 2024				
	D	ECN-2308045(JOLIN)SEE PAGE 1/3	17AUG2023	APPROVED: PEARL_HUNG	25 Jun 2024				
ZONE	REVISION	DESCRIPTION	DATE		SIZE A4	SHEET 2/3	REV. F	PART NO. 1410202XXXX	CUSTOMER:

RoHS
compliant

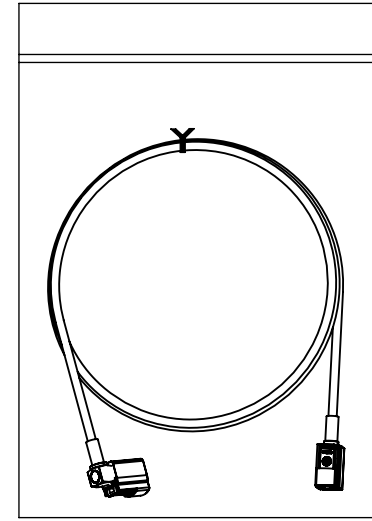


FAKRA JACK TO JACK CABLE

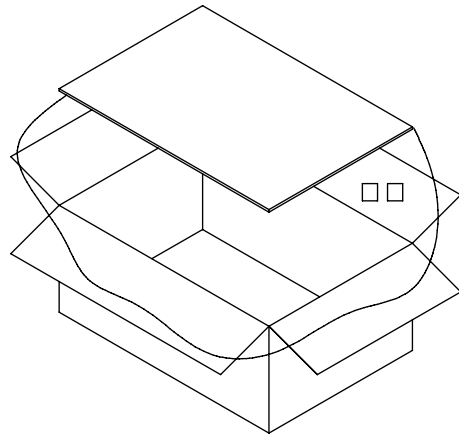
+



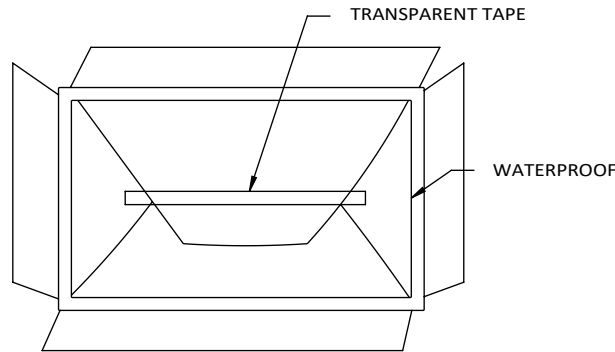
ZIP BAG:240(L)x170(W)xT0.05mm



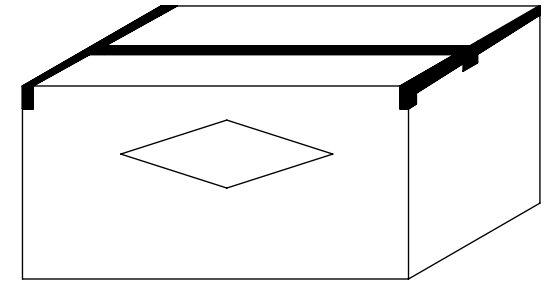
FAKRA JACK TO JACK CABLE



CARTON:16"x13"x6.5"



(AFTER THE INSTALLED PRODUCT, CARTON SEALING TAPE SHOULD BE TRANSPARENT)



(THE PACKING QUANTITY IS BASED ON THE FIRST BATCH OF ACTUAL ORDER)

5	DESICCANT	M90000EZ0000029	2g	5 PCS/CARTON	
4	WATERPROOF	M9BE71163507009	28"x25"x0.07mm	1 PC/CARTON	
3	CARDBOARD(B3B)	M9EE330330000300	330x330mm	2 PCS/CARTON	
2	CARTON	M9CE406330165500	16"x13"x6.5"	1 PC/CARTON	
1	ZIP BAG	MQR1000NB10A0850	240(L)x170(W)mm	1PC CABLE/ZIP BAG	
ITEM	DESCRIPTION	PART NUMBER	SPECIFICATION	AMOUNT	NOTE

UNLESS OTHERWISE SPECIFIED TOLERANCE		SIP
ANG.	+5°	Cmk Cpk
0.	+0.50	
.0	+0.30	
.00	+0.20	
SCALE:	AS SHOWN	UNIT: mm



	F	ECN-2406096(JOAN)SEE PAGE 1/3	25JUN2024	DRAWN: HOLLY_TU	25 Jun 2024	TITLE: PDR-21021
	E	ECN-2402064(JOAN)SEE PAGE 1/3	28FEB2024	CHECKED: PEARL_HUNG	25 Jun 2024	FAKRA JACK TO JACK CABLE (CNC VERSION)
	D	ECN-2308045(JOLIN)SEE PAGE 1/3	17AUG2023	APPROVED: PEARL_HUNG	25 Jun 2024	PART NO. 1410202XXXX
ZONE	REVISION	DESCRIPTION	DATE	SIZE A4	SHEET 3/3	REV. F
1	2	3	4	5	6	7
						CODE: Z10
						CUSTOMER:
						8
						9
						10