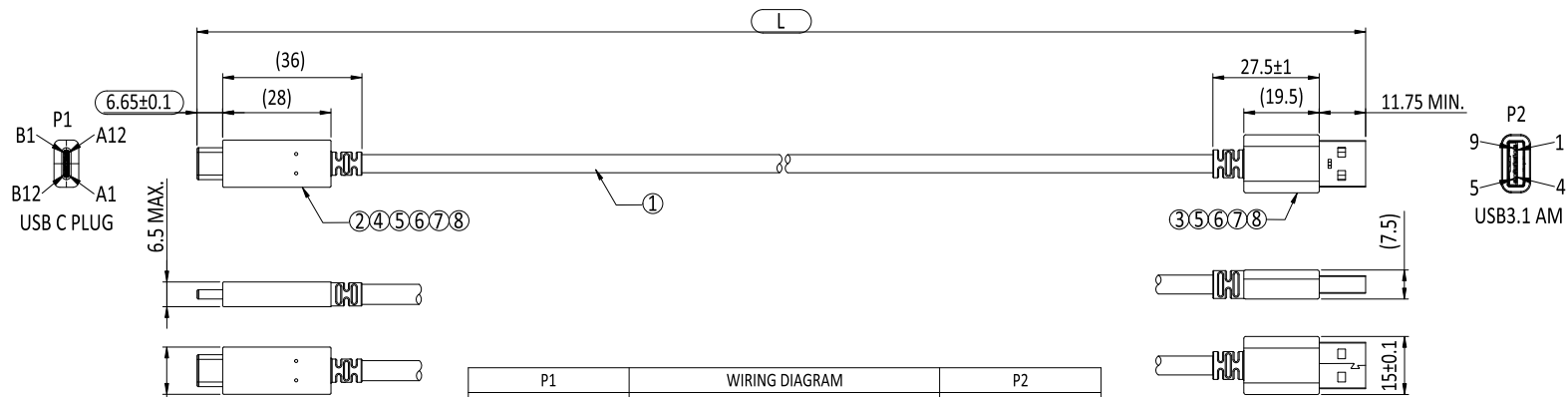


RoHS compliant



P1		WIRING DIAGRAM				P2	
USB C PLUG		WIRE				USB 3.1 AM	
PIN	SIGNAL NAME	WIRE NUMBER	NAME SIGNAL	WIRE COLOR & AWG	PIN	SIGNAL NAME	
A1, B1, A12, B12	GND	1, 7, 10	GND_PWRrt1 SDP1_DRAIN,SDP2_DRAIN	BLACK SDP1+SDP2 DRAIN	4 7	GND GND_DRAIN	
A4,B4, A9,B9	VBUS	2	PWR_VBUS1	RED #23	1	VBUS	
A5	CC	W/RESISTOR					
B5	VCONN	N/A					
A6	DP1	3	UTP_DP	GREEN	3	D+	
A7	DN1	4	UTP_DN	WHITE	2	D-	
A2	XXTP1	5	SDPP1	YELLOW	6	STDA_SSRX+	
A3	SSTXN1	6	SDPN1	BLUE	5	STDA_SSRX-	
B11	SSRX1	8	SDPP2	ORANGE	9	STDA_SSTX+	
B10	SSRXN1	9	SDPN2	PURPLE	8	STDA_SSTX-	
SHELL	SHIELD	BRIAD	SHIELD	BRIAD	SHELL	SHIELD	

- NOTE:
- CABLE ASSEMBLY MUST BE RoHS OR HF COMPLIANT
 - CABLE MUST BE OPEN, SHORT, MISWIRE 100% TEST
 - USB CABLE ELECTRIC TEST:
 - VOLTAGE: 300 V DC
 - CONTACT RESISTANCE: 5 Ω MAX.
 - INSULATION RESISTANCE: 2 MΩ MIN.

8	OVER MOLD	PVC OR TPE COLOR BLACK OR RED	⚠
7	INNER MOLD	PE	
6	FOIL	CU FOIL	
5	TIN	TIN STICK, TIN WIRE	
4	P.C.B.A	P.C.B.A, W/RESISTOR, CAPACITOR	
3	CONN.	USB3.1 A MALE, BLUE INSULATOR, CONTACT PLATING: GOLD 30u", SHELL PLATED NI (W/TIN PLATE)	
2	CONN.	USB C PLUG, BLACK INSULATOR, CONTACT PLATING: GOLD 30u" SHELL PLATED NI(EXTRUDED SHELL, W/TIN PLATE)	
1	CABLE	USB3.1 #28/28/23/24 ADB OD: 4.8mm, BLACK PVC JACKET	
NO.	TITLE	DESCRIPTION	

4	13301010030	C8F1K3A09SE40C	GEN2	400±25mm	
3	13301010020	C8F1K3A09SE50C	GEN2	500±25mm	
2	13301010011	N/A	GEN2	1000±50mm	USB A OVER MOLD RED
1	13301010010	C8F1K3A09SE1M0	GEN2	1000±50mm	
ITEM	NEW P/N.	OLD P/N.	SPEC	LENGTH	NOTE

UNLESS OTHERWISE SPECIFIED TOLERANCE

ANG. ±2°
0. ±1.0
.0 ±0.5
.00 ±0.25

SIP
Cmk
Cpk

SCALE: AS SHOWN UNIT: mm

DRAWN: XINGRU_LAI 16 Dec 2024
CHECKED: PEARL_HUNG 18 Dec 2024
APPROVED: PEARL_HUNG 18 Dec 2024

TITLE:(PDR-17017)
USB C PLUG TO AM (3.1) CABLE

PART NO. 1330101XXXX

CODE: GB CUSTOMER:

	M	ECN-2412048(VICKY)MODIFY COLOR& ADD P/N	12DEC2024
C4	L	ECN-2311052(RITA)MODIFY A6 TO SHELL	21NOV2023
	K	ECN-2306031(BENSON)NEW P/N.	09JUN2023
ZONE	REVISION	DESCRIPTION	DATE

