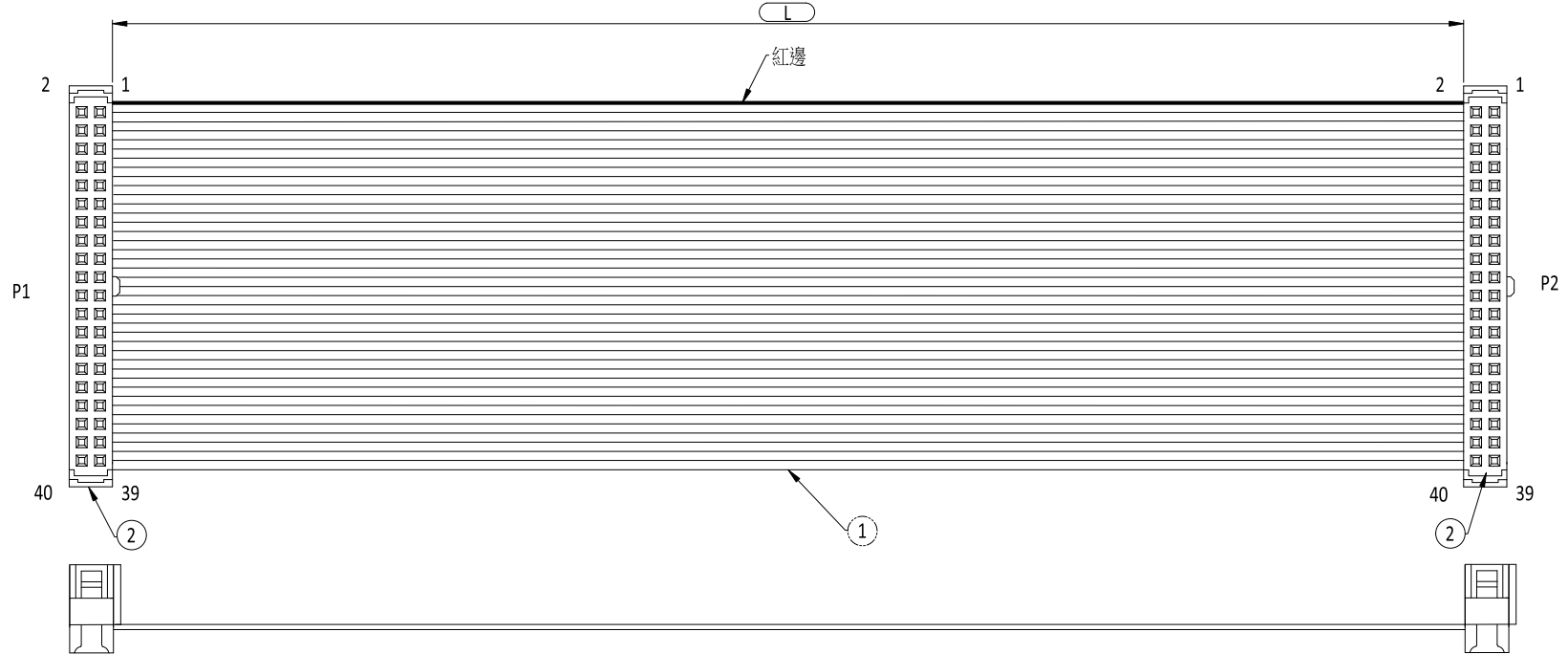


RoHS compliant



CONN	WIER LIST										
P1	1	2	3	4	5	.....	36	37	38	39	40
P2	1	2	3	4	5	.....	36	37	38	39	40

REMARK:  
 1. FINISHED CABLE MUST 100% TEST PASSED  
 THERE IS NO SHORT CIRCUIT, OPEN CIRCUIT AND  
 TEMPORARY INTERRUPTION  
 TESTING REQUIREMENTS:  
 1. INSULATION RESISTANCE: 10 MΩ  
 2. CONDUCTION RESISTANCE: 3 Ω  
 RETED VOLTAGE: 300V

3		
2	IDC 40P PH=2.0mm 有鼻(高鼻) 二件式 黑色 602AE40PSAB003	2 PCS
1	UL2651 28AWG 40C PH: 1.0mm 灰色红边	1 PCS
ITEM	DESCRIPTION	Q'TY

	A	ECN-2411081(KITA)NEW P/N	20NOV2024
	X2	ECR-1610024(VICKY)	19OCT2016
	X1	ECN-1608044(VICKY)	08AUG2016
ZONE	REVISION	DESCRIPTION	DATE
1	2	3	4

2				
1	11211050010	DMM401B53E40C	OCBFU0064A	400(-0/+20)mm
ITEM	NEW P/N	OLD P/N	CUSTOMER P/N	L
UNLESS OTHERWISE SPECIFIED TOLERANCE		SIP Cmk Cpk		 <b>CHANT SINCERE CO.,LTD</b>
0.0	±1.0			
.00	±0.5			
	±0.3			
SCALE: AS SHOWN		UNIT: mm		
DRAWN: XINGRU_LAI		22 Nov 2024		TITLE: IDC 2.0 40P TO 40P
CHECKED: PEARL_HUNG		22 Nov 2024		
APPROVED: PEARL_HUNG		22 Nov 2024		PART NO. 11211050010
SIZE A4 SHEET 1/1		REV. A		CODE: Z CUSTOMER: RPS
7	8	9	10	