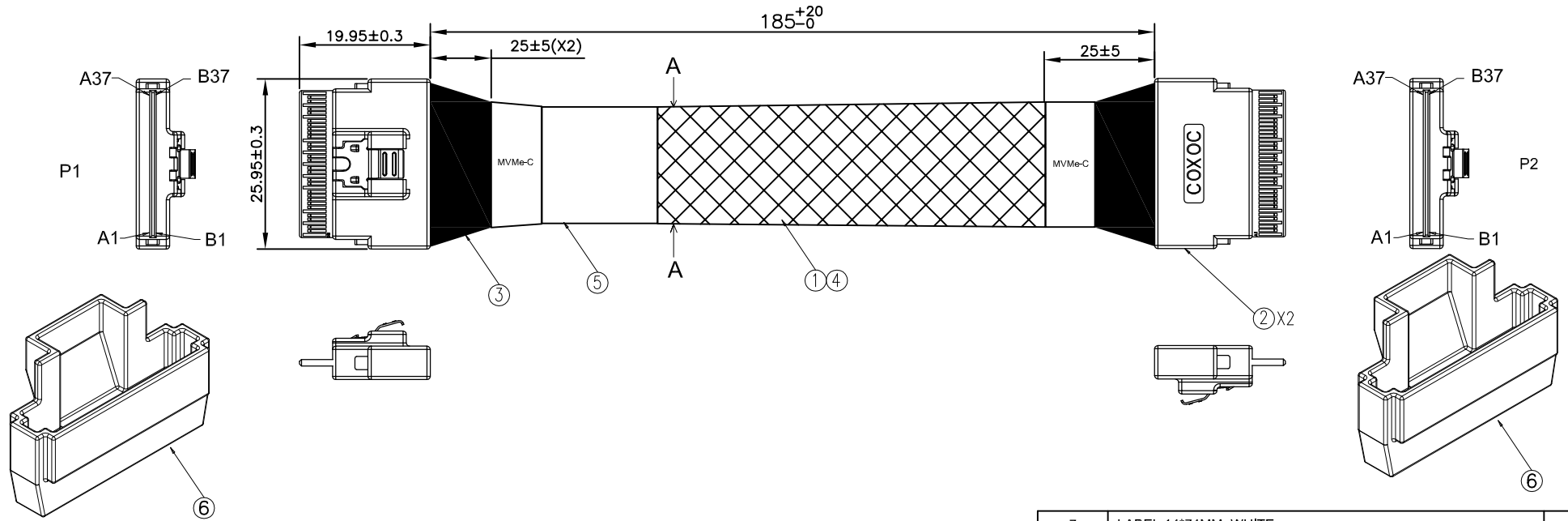


NOTE:
 1.THE CABLE ASSEMBLY SHOULD BE RoSH2.0 COMPLIANT.
 2.THE CABLE ASSEMBLY SHALL MEET BELOW IMPEDANCE REQUIREMENT:
 TERMINATION AREA:85±15% OHMS,CABLE ABSOLUTE AREA:85±10% OHMS
 3.ELECTRICAL AND MECHANICAL PERFORMANCE SHOULD MEET THE PCIE GEN4 INDUSTRIAL STANDARD.



PART NO

C10 S1 1 3 B03 E 185
 1 2 3 4 5 6 7

- | | |
|--|---------------------------|
| 1.SERIES NO.
C10=SATA TYPE | 4.CABLE COLOR
3=BLACK |
| 2.CONNECTOR OPTION
S1=SlimSAS 8X STR
/SlimSAS 8X STR | 5.TYPE. |
| 3.CONNECTOR TYPE
1=M/M | 6.GREEN OPTION:
E=RoHS |
| | 7.LENGTH NO.
185=185mm |

7	LABEL:14*74MM, WHITE	2
6	protective cover	2
5	LABEL:70*40MM, WHITE	1
4	EXPANDO TUB:7.0mm,BLACK,SINGLE(OD7~25mm)	A/R
3	ACETATE TAPE:W=1INCH,Black	A/R
2	SLIMLINE 74P CONNECTOR,Au30u"	2
1	SAS CABLE:UL20744(#30x2C+2*D+A+HM)*24C,Silver Plated 85 Ohm 24G	A/R
ITEM	DESCRIPTION	QTY

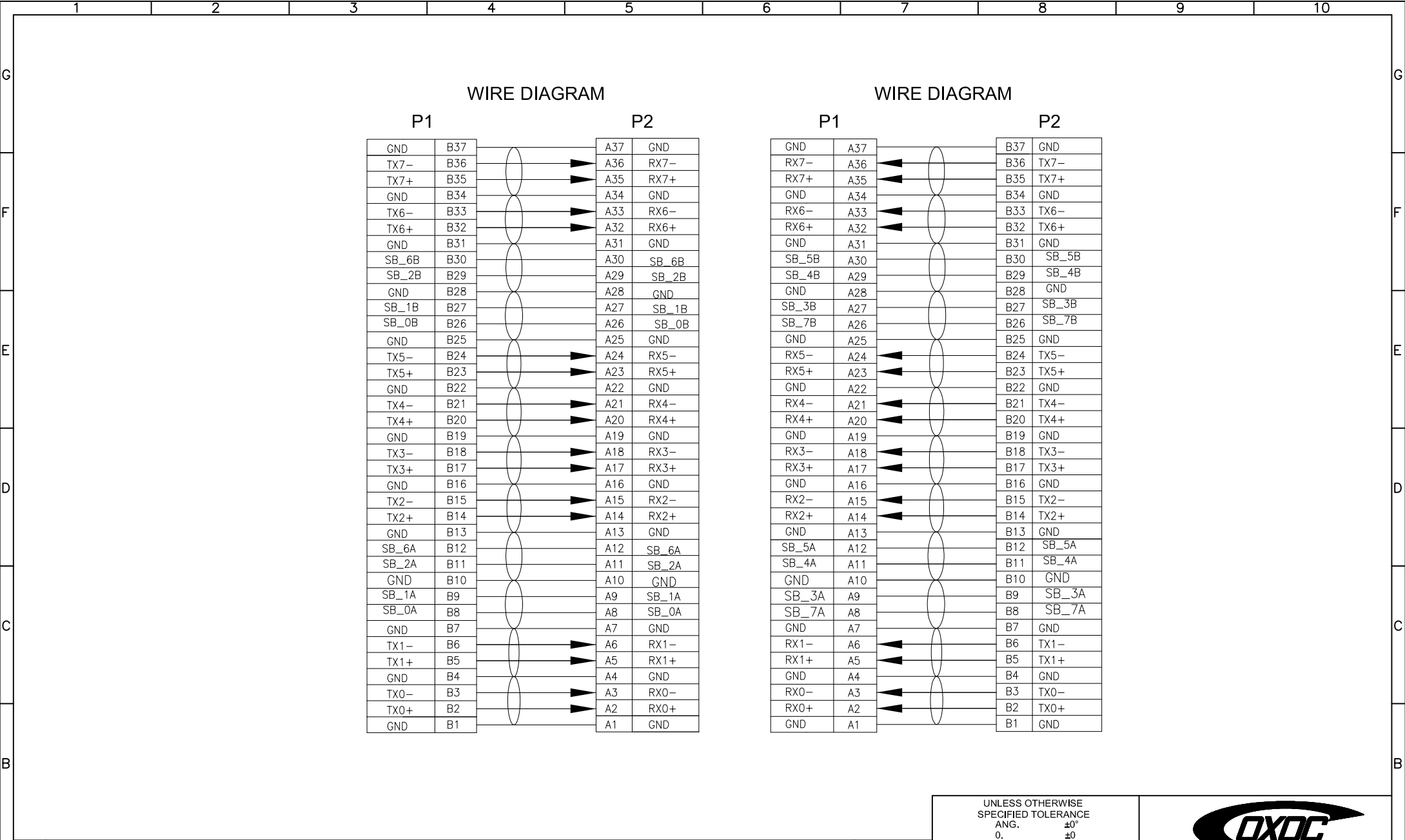
UNLESS OTHERWISE
 SPECIFIED TOLERANCE
 ANG. ±0°
 0. ±0
 .0 ±0.50
 .00 ±0.30

SCALE: AS SHOWN UNIT: mm
 DRAWN Yang 04/22/2019
 CHECKED //
 APPROVED //


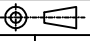


CHANT SINCERE CO.,LTD
 TEL:886-02-86471251 FAX:886-02-86472962
 DRAWN NAME: (PDR-18101)
 SAS SLIMSAS 8i PLUG TO 8i PLUG CABLE
 ASSEMBLY 1/2
 PRODUCT NO. C10S113B03E185
 FILE NAME: C10S113B03E185(GB)

REV.	DESCRIPTION	DATE	SIZE	REV.	FILE NAME
1			A4	X5	C10S113B03E185(GB)



REV.	DESCRIPTION	DATE

UNLESS OTHERWISE SPECIFIED TOLERANCE ANG. ±0° 0. ±0 .0 ±0.50 .00 ±0.30		 CHANT SINCERE CO.,LTD TEL:886-02-86471251 FAX:886-02-86472962
SCALE: AS SHOWN	UNIT: mm	
DRAWN Yang	04/22/2019	DRAWN NAME: (PDR-18101)
CHECKED	/ /	SAS SLIMSAS 8i PLUG TO 8i PLUG CABLE ASSEMBLY 2/2
APPROVED	/ /	PRODUCT NO. C10S113B03E185
 SIZE A4 REV. X5		FILE NAME: C10S113B03E185(GB)