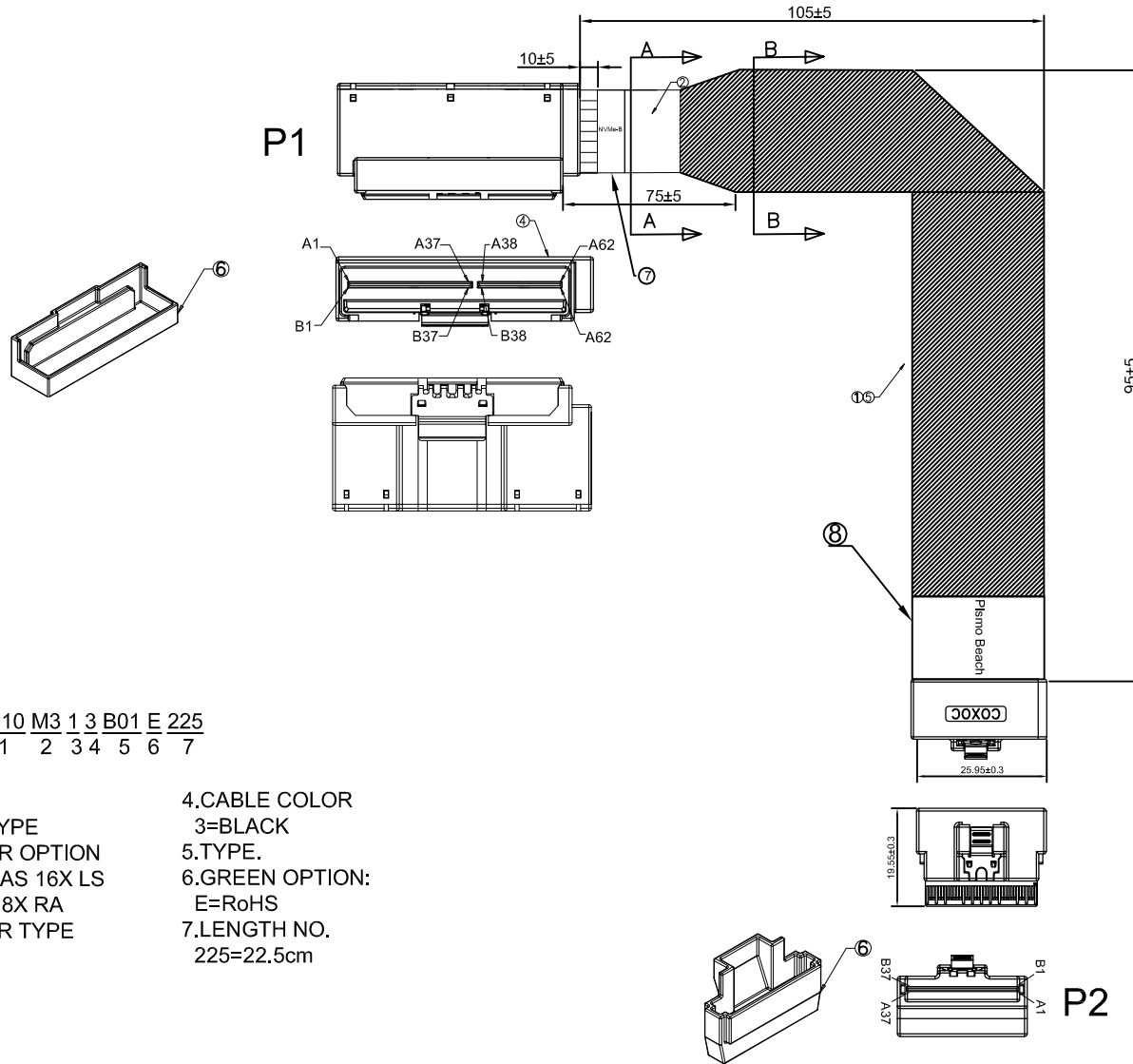


NOTE:

- 1.ELECTRICAL AND MECHANICAL PERFORMANCE SHALL MEET THE GEN4.0 INDUSTRIAL STANDARD.
- 2.THE CABLE ASSEMBLY SHALL MEET IMPEDANCE REQUIREMENT:  
CONNECTORS:85±15% OHMS,CABLE AREA:85±10% OHMS
- 3.THE CABLE ASSEMBLY SHALL BE RoSH2.0 COMPLIANT.



折彎處也要扁,90度折彎

PART NO

C10 M3 1 3 B01 E 225  
1 2 3 4 5 6 7

- |   |                                      |
|---|--------------------------------------|
| 1.SERIES NO.<br>C10=SATA TYPE                                   | 4.CABLE COLOR<br>3=BLACK             |
| 2.CONNECTOR OPTION<br>M3=LP SlimSAS 16X LS<br>/NP SlimSAS 8X RA | 5.TYPE.<br>6.GREEN OPTION:<br>E=RoHS |
| 3.CONNECTOR TYPE<br>1=M/M                                       | 7.LENGTH NO.<br>225=22.5cm           |

8	LABEL:Synthetic paper,70*26MM WHITE	1
7	LABEL:14*74MM WHITE	1
6	protective cover	2
5	TERYLENE CLOTH TAPE,W=75MM,T=0.11mm,BLACK	A/R
4	LOW PROFILE X16 SlimSAS LEFT SIDE EXIT PLUG,Au30u"	1
3	SlimSAS 74P CONNECTOR RA,Au30u"	1
2	LABEL:Synthetic paper,70*40MM WHITE	1
1	SAS CABLE:UL20744(#32x2C+2*D+A+HM)*24C,Silver Plated 85 Ohm 24G	A/R
ITEM	DESCRIPTION	QTY

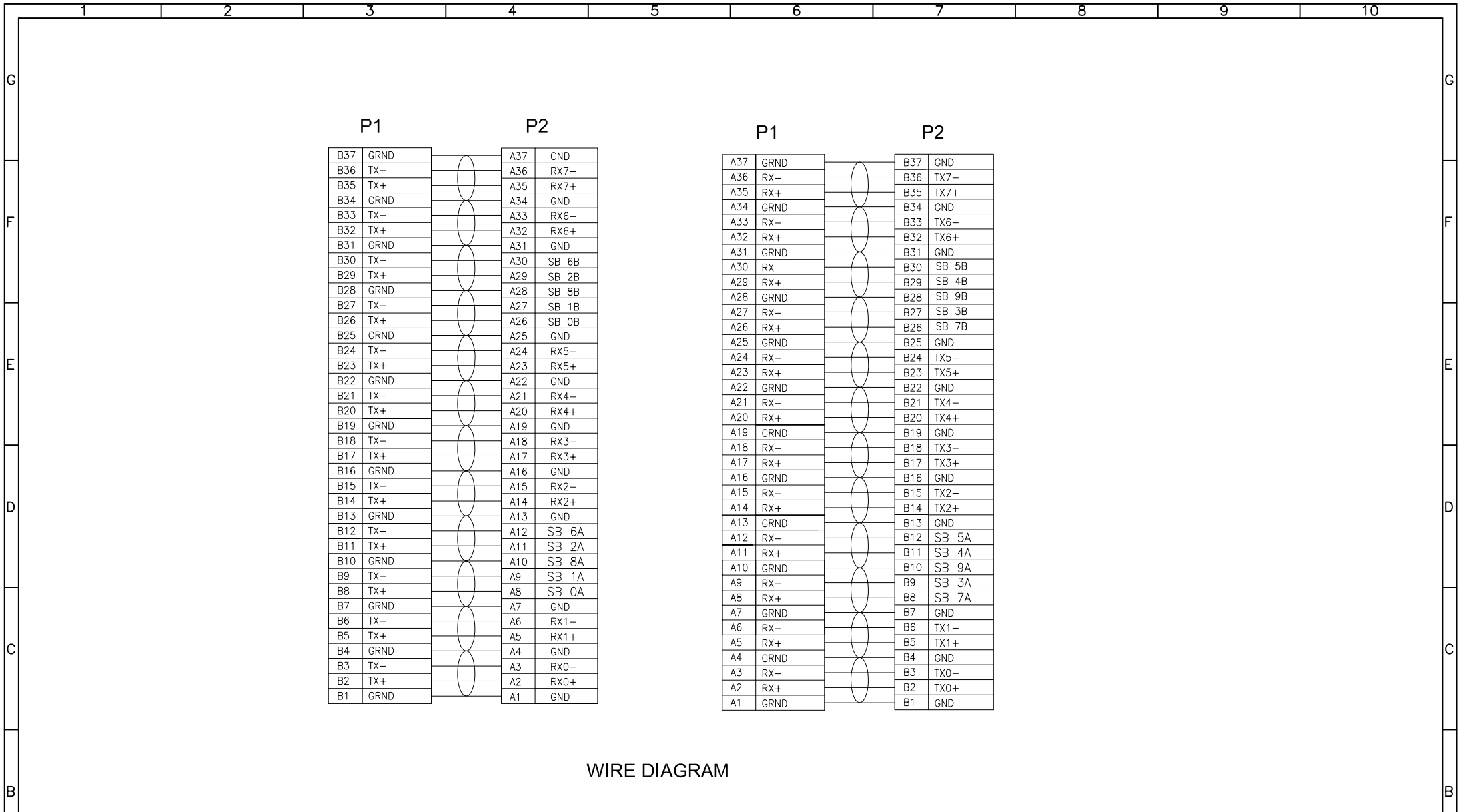
UNLESS OTHERWISE  
SPECIFIED TOLERANCE  
ANG. ±0°  
0. ±0  
.0 ±0.50  
.00 ±0.30


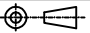
SCALE: AS SHOWN	UNIT: mm
DRAWN Yang	04/22/2019
CHECKED / /	
APPROVED / /	

**OXOC**  
**CHANT SINCERE CO.,LTD**  
 TEL:886-02-86471251 FAX:886-02-86472962

DRAWN NAME: (PDR-18095)  
 LP X16 SlimSAS LS TO X8 SlimSAS RA 1/2  
 PRODUCT NO. C10M313B01E225  
 FILE NAME: C10M313B01E225(GB)

REV.	DESCRIPTION	DATE	SIZE A4	REV. X5
1				
2				
3				
4				
5				
6				
7				
8				
9				
10				



						UNLESS OTHERWISE SPECIFIED TOLERANCE ANG.                   ±0° 0.                       ±0 .0                       ±0.50 .00                     ±0.30		 <b>CHANT SINCERE CO.,LTD</b> TEL:886-02-86471251 FAX:886-02-86472962		
						SCALE: AS SHOWN	UNIT: mm	DRAWN NAME: (PDR-18095) LP X16 SlimSAS LS TO X8 SlimSAS RA 2/2 PRODUCT NO. C10M313B01E225 FILE NAME: C10M313B01E225(GB)		
						DRAWN Yang	04/22/2019			
						CHECKED	/ /			
						APPROVED	/ /			
REV.	DESCRIPTION					DATE		SIZE	REV. X5	