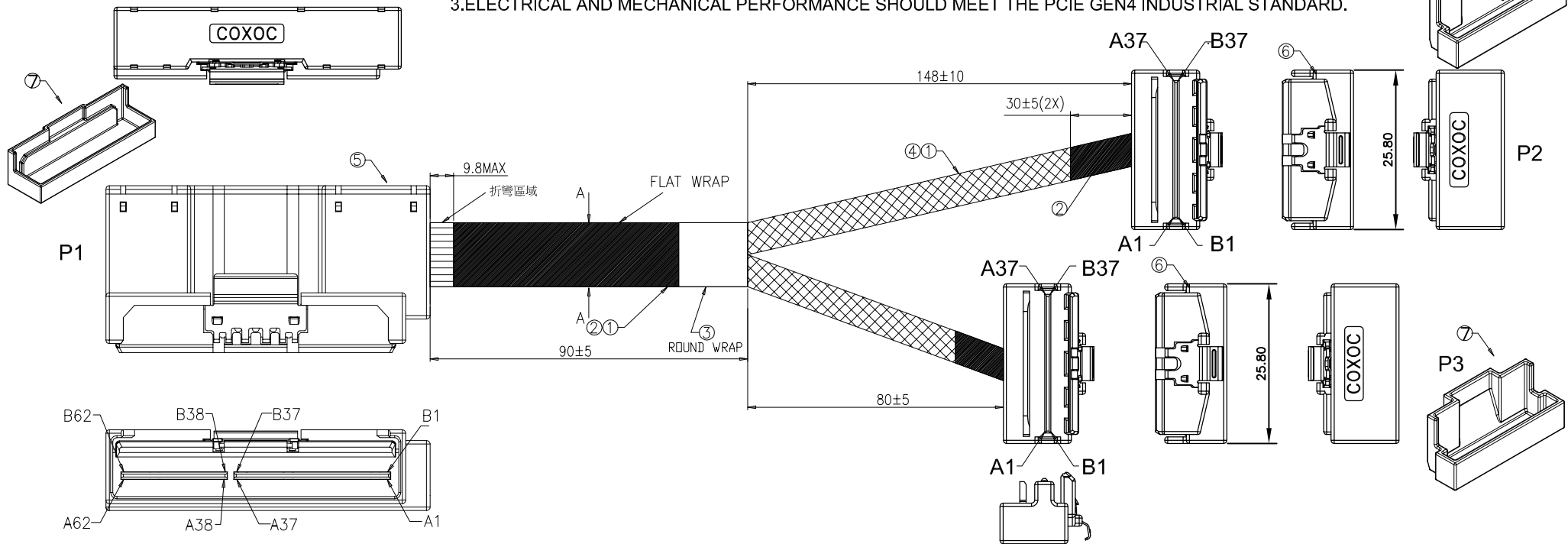


NOTE:  
 1.THE CABLE ASSEMBLY SHOULD BE RoSH2.0 COMPLIANT.  
 2.THE CABLE ASSEMBLY SHALL MEET BELOW IMPEDANCE REQUIREMENT:  
 TERMINATION AREA:85±15% OHMS,CABLE ABSOLUTE:85±10% OHMS  
 3.ELECTRICAL AND MECHANICAL PERFORMANCE SHOULD MEET THE PCIE GEN4 INDUSTRIAL STANDARD.



PART NO

**C10 L E D 1 S D B 2 E 3 01**  
 1 2 3 4 5 6 7 8 9 10 11 12

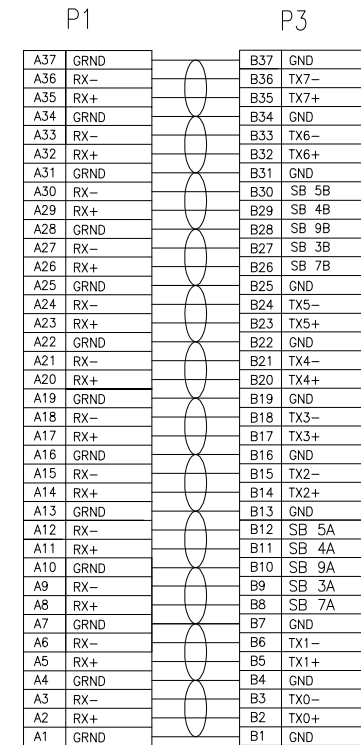
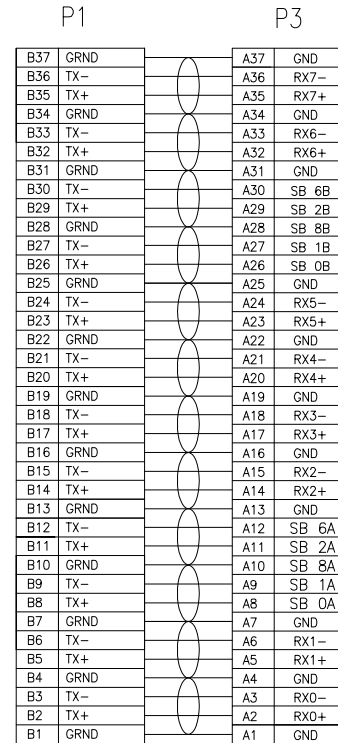
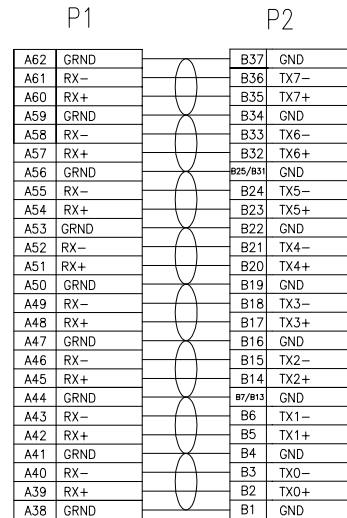
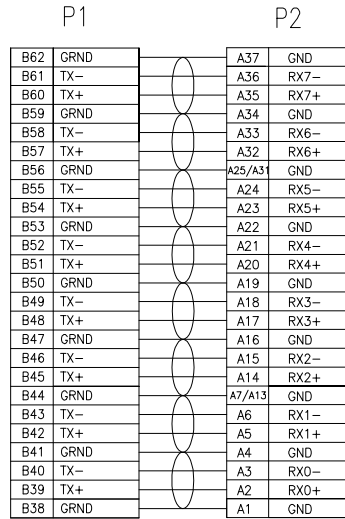
- |   |                            |
|---|----------------------------|
| 1.SERIES NO.<br>C10=SATA TYPE             | 7.Conn.Pin<br>D=8X         |
| 2.CONNECTOR OPTION<br>L=Slimline SAS Male | 8.Conn.direction<br>B=RA   |
| 3.Conn.Pin<br>E=16X                       | 9.Conn.number<br>2PCS      |
| 4.Conn.direction<br>D=RS                  | 10.GREEN OPTION:<br>E=RoHS |
| 5.Conn.number<br>1=1PCS                   | 11.CABLE COLOR<br>3=BLACK  |
| 6.CONNECTOR OPTION<br>S=Slimline SAS Male | 12.TYPE.                   |

7	protective cover	3
6	LP 8X RA SlimSAS PLUG,Au30u"	2
5	LOW PROFILE 16X SlimSAS LEFT SIDE EXIT PLUG,Au30u"	1
4	EXPANDO TUB:7.0mm,BLACK,SINGLE(OD7~25mm)	A/R
3	Label:Synthetic paper,70*40mm, WHITE	1
2	ACETOUS Tape, Black	A/R
1	SAS CABLE:UL20744(#32x2C+2*D+A+HM)*16C+(#32x2C+2*D+A+HM)*24C Silver Plated 85 Ohm 24G	A/R
ITEM	DESCRIPTION	QTY

UNLESS OTHERWISE SPECIFIED TOLERANCE		 <b>CHANT SINCERE CO.,LTD</b> TEL:886-02-86471251 FAX:886-02-86472962 (PDR-18093)
ANG.	±0°	
0.	±0	
.0	±0.50	
.00	±0.30	
SCALE: AS SHOWN	UNIT: mm	
DRAWN Yang	01/11/2019	DRAWN NAME:
CHECKED	/ /	LP X16 SlimSAS RS PLUG TO 2X LP X8 SlimSAS RA PLUG
APPROVED	/ /	PRODUCT NO. C10LED1SDB2E301
		FILE NAME: C10LED1SDB2E301(GB)


REV.	DESCRIPTION	DATE	SIZE	REV.
1			A4	X3

WIRE DIAGRAM



UNLESS OTHERWISE SPECIFIED TOLERANCE	
ANG.	±0°
0.	±0
.0	±0.50
.00	±0.30

SCALE: AS SHOWN	UNIT: mm
DRAWN Yang	01/11/2019
CHECKED	/ /
APPROVED	/ /



**CHANT SINCERE CO., LTD**  
 TEL:886-02-86471251 FAX:886-02-86472962

DRAWN NAME: (PDR-18093)

P X16 SlimSAS RS PLUG TO 2X LP X8 SlimSAS RA PLUG

PRODUCT NO. C10LED1SDB2E301

FILE NAME: C10LED1SDB2E301(GB)

REV.	DESCRIPTION	DATE	SIZE	REV.
1			A4	X3