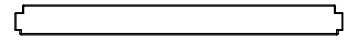


剖面圖A-A



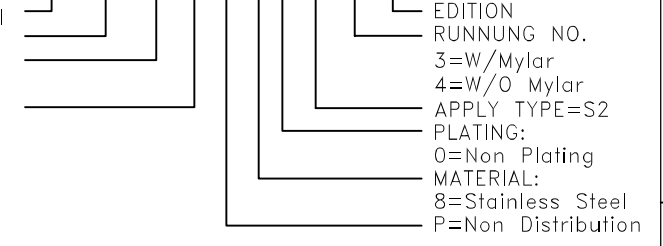
4	Adhesive	TESA #4972
3	W/MYLAR	polyester film, T=0.10MAX.
	W/O MYLAR	
2	FRAME	PC, Color:Black
1	COVER	SUS304 t=0.2mm
No	Description	MATERIAL

SPECIFICATION
 MATERIAL
 Insulator: Thermoplastic, rated UL94V-0
 Shell: Stainless

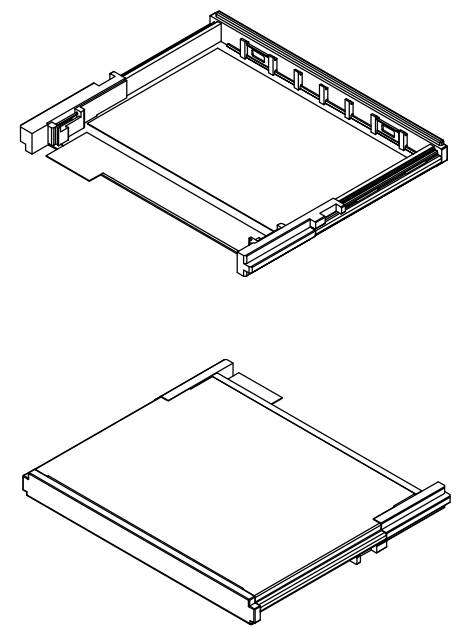
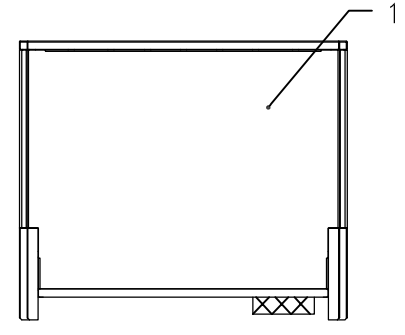
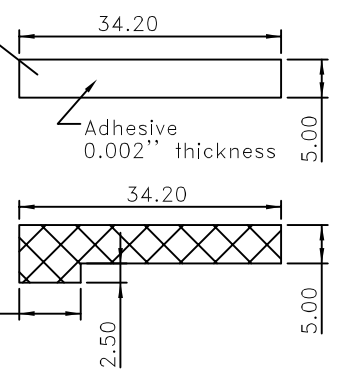
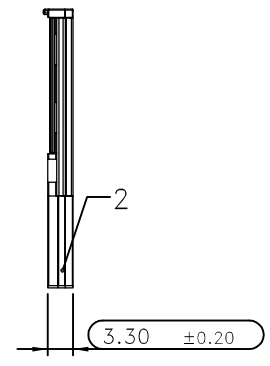
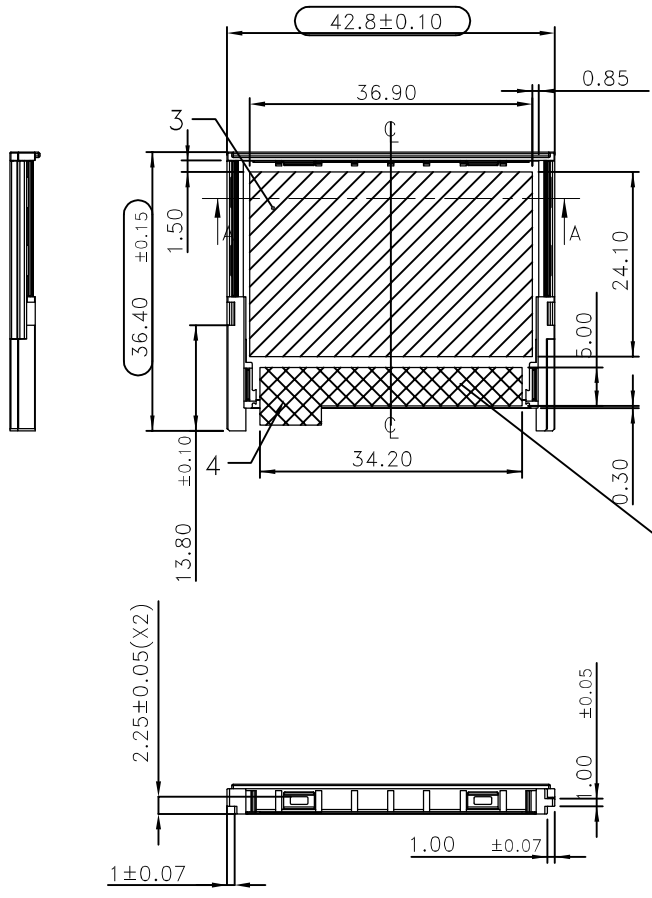
Part no.

S3 752D E 24 P 8 0 S2 X A
 1 2 3 4 5 6 7 8 9 10

S3=SEMIFISHED Shell
 SERIES NO.
 GREEN OPTION:
 E=RoHS (Bright)
 CONTACT NUMBER:
 24=24Pins



EDITION
 RUNNING NO.
 3=W/Mylar
 4=W/O Mylar
 APPLY TYPE=S2
 PLATING:
 0=Non Plating
 MATERIAL:
 8=Stainless Steel
 P=Non Distribution



For SIP

UNLESS OTHERWISE SPECIFIED TOLERANCE	
ANG.	±5°
0.	±0.50
.0	±0.30
.00	±0.20

SCALE: AS SHOWN	UNIT: mm
DRAWN Rita	12/04/2015
CHECKED	/ /
APPROVED	/ /

CHANT SINCERE CO.,LTD
 TEL:886-02-86471251 FAX:886-02-86472962

DRAWN NAME:
 CFast Type I
 Bottom Cover(w/frame) ASS'Y

PRODUCT NO. **S3752DE24P80S2XA**

FILE NAME: **C-S3752DE24P80S23A(GB)**

REV.	DESCRIPTION	DATE	SIZE	REV.
1			A4	E