

Part No.

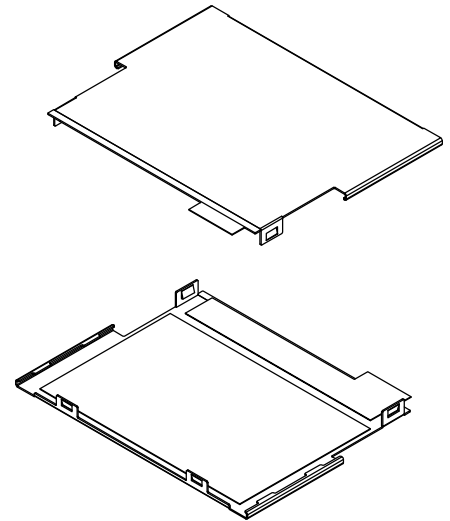
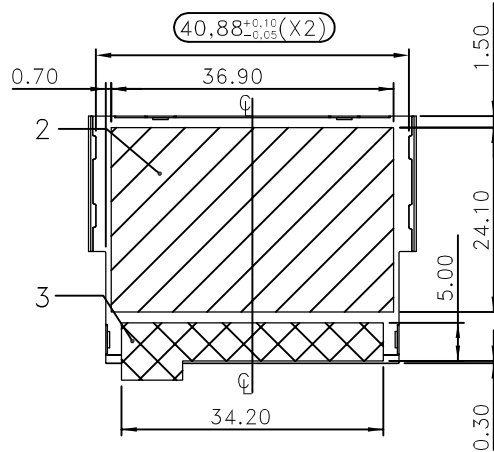
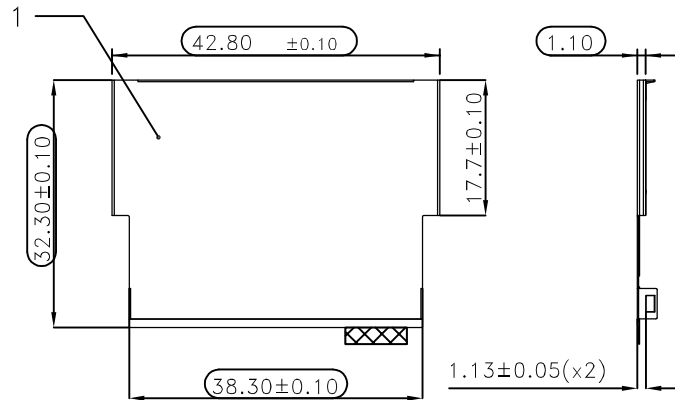
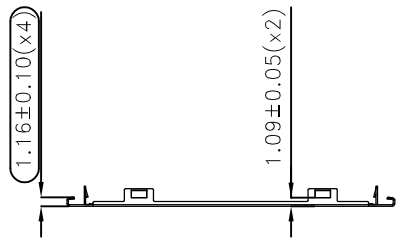
M3 752D E 24 P 8 0 S2 X A

1 2 3 4 5 6 8 9 10 11

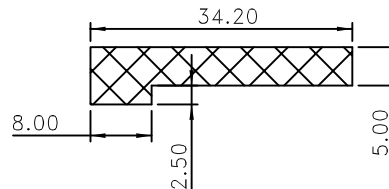
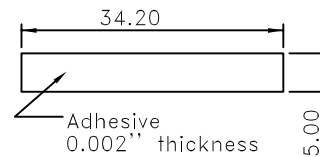
M3=Shell(w/Tap)
 SERIES NO.
 GREEN OPTION:
 E=RoHS (Bright)
 CONTACT NUMBER:
 24=24 Pins

EDITION
 RUNNING NO.
 3=W/Mylar

APPLY TYPE=S2
 PLATING:
 0=Non Plating
 MATERIAL:
 8=Stainless Steel
 P=Non Distribution



3	Adhesive	TESA #4972
2	W/MYLAR	polyester film,T=0.10mmMAX
	W/O MYLAR	
1	COVER	SUS304 t=0.2mm
No	Description	MATERIAL



For SIP

UNLESS OTHERWISE SPECIFIED TOLERANCE	
ANG.	±5°
0.	±0.50
.0	±0.30
.00	±0.20

SCALE: AS SHOWN UNIT: mm

DRAWN: RITA 12/04/2015

CHECKED: / /

APPROVED: / /

SIZE A4 REV. C



CHANT SINCERE CO.,LTD
 TEL:886-02-86471251 FAX:886-02-86472962

DRAWN NAME: CFast Type I
 Top Cover ASS'Y

PRODUCT NO. M3752DE24P80S2XA

FILE NAME: C-M3752DE24P80S23A(P06)

REV.	DESCRIPTION	DATE	SIZE	REV.	FILE NAME
1			A4	C	C-M3752DE24P80S23A(P06)