

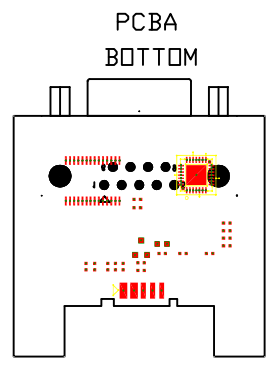
PART NO. C8 F9 K 3 B01 E 05C

SERIES NO. C8=USB TYPE
CONNECTOR OPTION F9=USB 3.1/RS232
CONTACT TYPE K=C Plug/RS232 M
CABLE COLOR 3=BLACK

LENGTH NO. 05C=50mm
GREEN OPTION E=RoHS
TYPE=B01

WIRE ARRANGEMENT

P1		WIRE	P2	
(Type C PLUG)	SIGNAL NAME	COLOR	(PCB)	SIGNAL NAME
A1,B1,A12,B12	GND	BLACK	1	GND
A4,B4,A9,B9	VBUS	RED	2	VBUS
A5	CC	W/RESISTOR		
B5	VCONN	N/A		
A6	Dp1	GREEN	3	D+
A7	Dn1	WHITE	4	D-
SHELL	SHIELD	BRAID+DRAIN	5	SHIELD



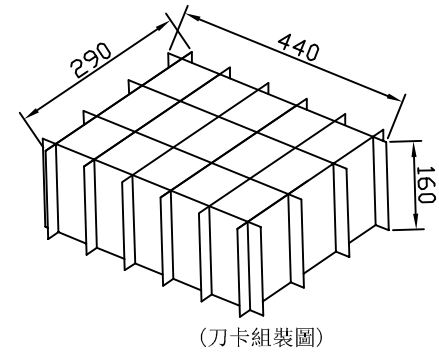
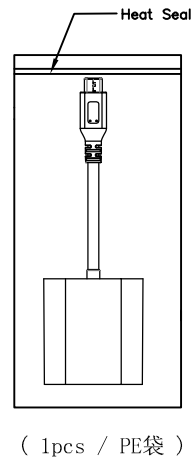
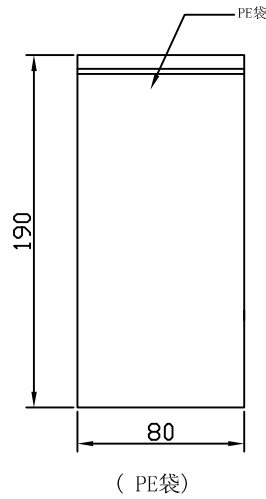
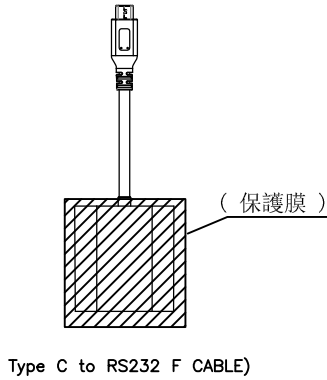
9.	後蓋	ABS + PC 黑色 表面:鏡面拋光
8.	前殼	ABS + PC 黑色 表面:鏡面拋光
7.	PCBA	FR-4,4 層板, t=1.2
6.	Over Mold	PVC COLOR BLACK.
5.	Inner Mold	PE
4.	FOIL	COPPER FOIL.
3.	CONN P2	RS232 MALE : 9 PIN 黑色膠心 鐵殼鍍線、端子鍍金
2.	CONN P1	USB TYPE C PLUG, BLACK INSULATOR, PCB W/RESISTOR CONTACT PLATING : 30u"Pd Ni+2u Gold", SHELL PLATED NICKEL,(W/TIN PLATE)
1.	CABLE	CABLE:USB2.0 UL 2725 28/24 ADB OD=4.0mm,BLACK PVC JACKET
NO.	TITLE	DESCRIPTION

UNLESS OTHERWISE SPECIFIED TOLERANCE
X°±3°
.X±0.50 .X°±2°
.XX±0.25 .XX°±1°

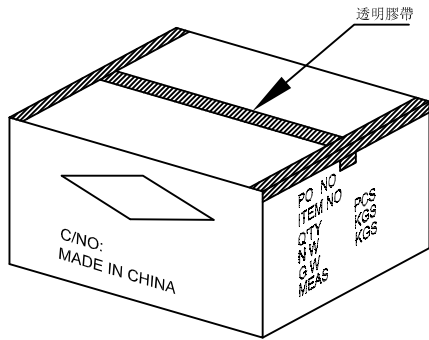
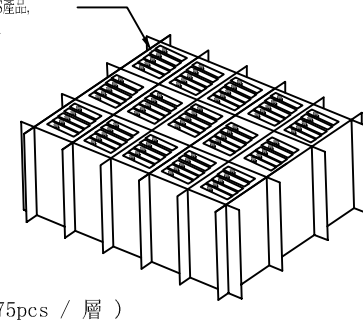


CHANT SINCERE CO., LTD
TEL:886-02-86471251 FAX:886-02-86472962

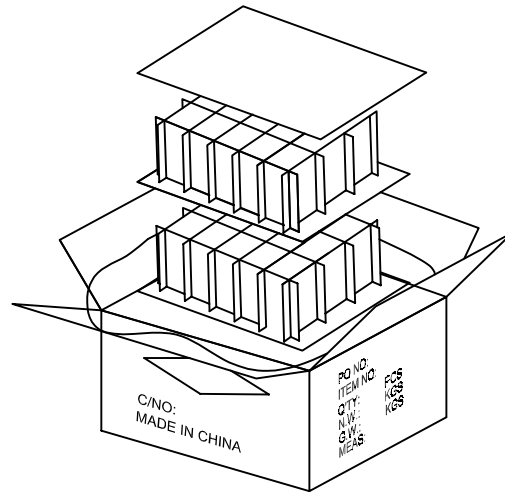
SCALE: AS SHOWN	UNIT: mm	DRAWN NAME: (PDR-15050)
DRAWN PEARL	07/15/2016	Type C Plug to RS232 Cable
CHECKED		PRODUCT NO. C8F9K3B01E05C
APPROVED		FILE NAME: C-C8F9K3B01E05C(GB)
DATE	SIZE A4	REV. B



每個格柵放5PCS產品，
產品的小頭朝上



(外箱:L45.7*W29.8*H35.5cm 材質:K=K)
(150PCS/外箱)



- 注:
1. 單PC成品用防靜電袋包裝, RS232端朝下.
 2. 防靜電袋熱封口時應注意熱封溫度, 且勿溫度過高, 封口要平整.
 3. 裝箱時產品要站立式放入刀卡, 刀卡每隔放5PCS, 每層放75PCS, 共放兩層, 一箱放150PCS成品, 產品之間需用刀卡隔離, 每層用隔板保護, 如上圖所示.

序	料號	名稱	規格
1	MQR1000NB10A0500	PE袋	PE袋L190*W80*H0.1mm
2	M9EE029016000300	短卡板	短刀卡L29.0*W16.0cm 材質B3B,3層
3	M9EE044016000300	長刀卡	長刀卡L44.0*W16.0cm 材質B3B,3層
4	M9EE043028000300	隔板	隔板43.0*28.0cm,3層
5	M9BE87070000509	防水袋	防水袋(460+410)×700×0.05
1	M9CE457298355500	外箱	紙箱L45.7*W29.8*H35.5cm 材質K=K ,5層

UNLESS OTHERWISE SPECIFIED TOLERANCE
X°±3°
.X±0.50 .X°±2°
.XX±0.25 .XX°±1°

SCALE: AS SHOWN UNIT: mm

DRAWN PEARL 07/15/2016

CHECKED

APPROVED

DATE



CHANT SINCERE CO., LTD
TEL:886-02-86471251 FAX:886-02-86472962

DRAWN NAME: (PDR-15050)

Type C Plug to RS232 Cable

PRODUCT NO. C8F9K3B01E05C

FILE NAME: C-C8F9K3B01E05C(GB)

REV.	DESCRIPTION	DATE	SIZE	REV.
1			A4	B