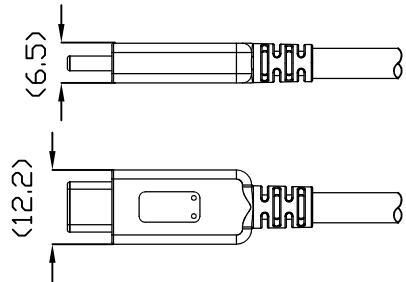
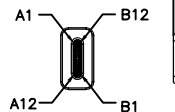


P1

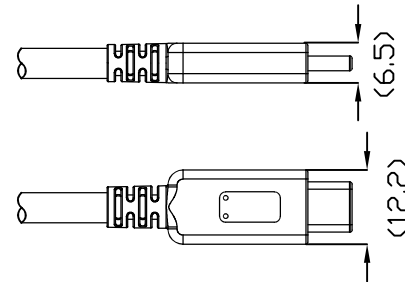
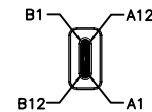
USB C PLUG



NOTE:
 1.CABLE ASSEMBLY MUST BE RoHS COMPLIANT.
 2.CABLE MUST BE OPEN,SHORT,MISWIRE 100% TEST.
 3.USB CABLE ELECTRIC TEST:
 A.VOLTAGE: 300V DC.
 B.CONTACT RESISTANCE: 5 Ohm Max.
 C.INSULATION RESISTANCE:2M Ohm Min.

P2

USB C PLUG



PART NO.

SERIES NO.

C8=USB TYPE

CONNECTOR OPTION

F7=USB 3.1/USB3.1 for Cable 2.0

CONNECTOR TYPE

M=CM/CM

C8 F7 M 3 A01 E 1M0

LENGTH NO.

1M0=1000 mm

GREEN OPTION

E=RoHS

TYPE.

CABLE COLOR

3=BLACK

P1		WIRING DIAGRAM			P2	
USB C PLUG		WIRE			USB C PLUG	
PIN	SIGNAL NAME	WIRE NUMBER	SIGNAL NAME	Wire COLOR & AWG	PIN	SIGNAL NAME
A1,B1,A12,,B12	GND	1	GND_PWRrt1	BLACK	A1,B1,A12,,B12	GND
A4,B4,A9,B9	VBUS	2	PWR_VBUS1	RED	A4,B4,A9,B9	VBUS
A5	CC	3	CC	BLUE	A5	CC
B5	VCONN	N/A	N/A	N/A	B5	VCONN
A6	Dp1	3	UTP_Dp	GREEN	A6	Dp1
A7	Dn1	4	UTP_Dn	WHITE	A7	Dn1
SHELL	SHIELD	BRIAD	SHIELD	BRIAD	SHELL	SHIELD

7	Over Mold	PVC COLOR BLACK
6	INNER Mold	PE
5	FOIL	COPPER FOIL
4	TIN	TIN STICK, TIN WIRE
3	PCB	PCB
2	CONN P1,P2	USB C PLUG,BLACK INSULATOR,CONTACT PLATING: Pd-Ni 30u"+Gold 2u" SHELL PLATED NICKEL,(W/TIN PLATE)
1	CABLE	USB2.0 UL2725 28/28/24 ADB:4.0mm, BLACK PVC JACKET
NO.	TITLE	DESCRIPTION

For SIP

For CmK/Cpk

UNLESS OTHERWISE SPECIFIED TOLERANCE
 ANG. ±
 0. ±1
 .0 ±0.5
 .00 ±0.25



CHANT SINCERE CO.,LTD

TEL:886-02-86471251 FAX:886-02-86472962

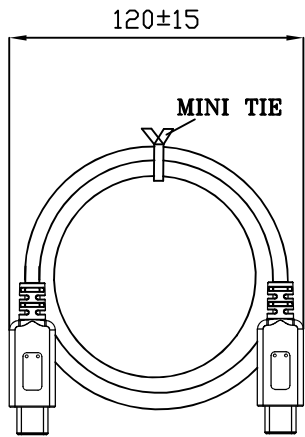
SCALE: AS SHOWN	UNIT: mm
DRAWN HYH	09/25/15
CHECKED JKC	09/25/15
APPROVED	/ /
SIZE A4	REV. X1

DRAWN NAME: USB C PLUG to C PLUG (2.0) CABLE 1/2

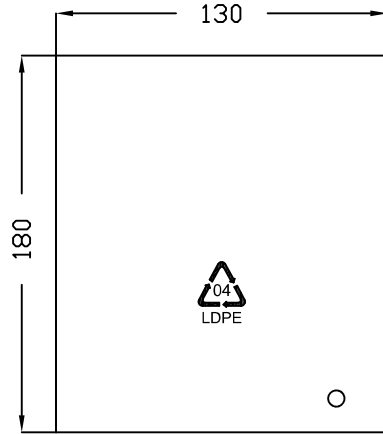
PRODUCT NO: C8F7M3A01E1M0

FILE NAME: C-C8F7M3A01E1M0(GB)

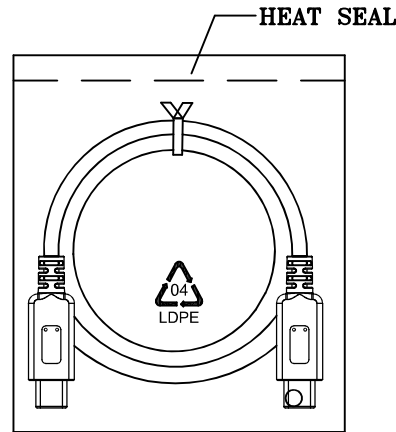
REV.	DESCRIPTION	DATE



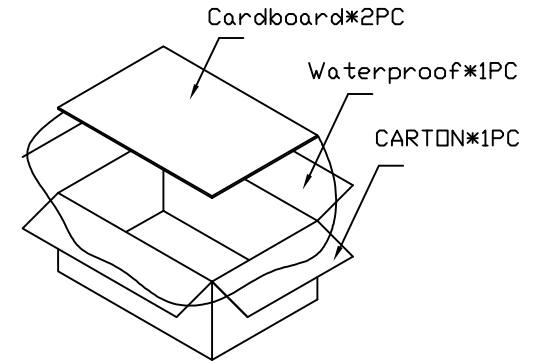
USB C/C 2.0 CABLE



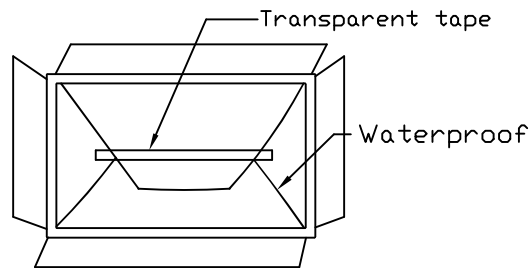
PE BAG:L180*W130*T0.05mm



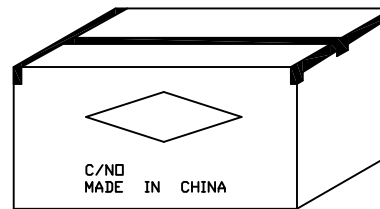
1PCS CABLE/PE BAG



(CARTON:L457*W298*H228mm Material K=K)



(After the installed Product, carton sealing tape should be transparent)



(CARTON:L457*W298*H228mm,Material K=K)
(200PCS CABLE/CARTON)

PO NO:	
ITEM NO:	
QTY:	PCS
N.W.:	KGS
G.W.:	KGS
MEAS:	1.1'

(CARTON SIDE)

- For SIP
- For CmK/Cpk

UNLESS OTHERWISE SPECIFIED TOLERANCE		
ANG.	± 1	
0.	± 0.5	CHANT SINCERE CO.,LTD TEL:886-02-86471251 FAX:886-02-86472962
.0	± 0.25	
SCALE: AS SHOWN	UNIT: mm	DRAWN NAME:
DRAWN HYH	09/25/15	USB C PLUG to C PLUG (2.0) CABLE
CHECKED Jackyc	09/25/15	PRODUCT NO: C8F7M3A01E1M0
APPROVED	/ /	FILE NAME: C-C8F7M3A01E1M0(GB)

REV.	DESCRIPTION	DATE
1		
2		
3		
4		
5		
6		

2/2