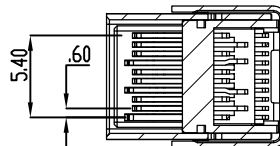
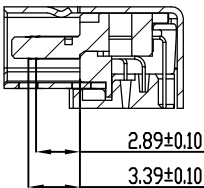
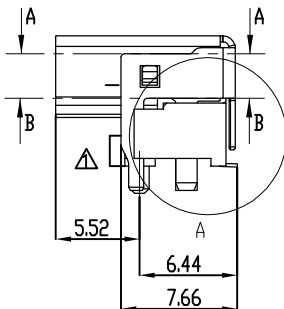
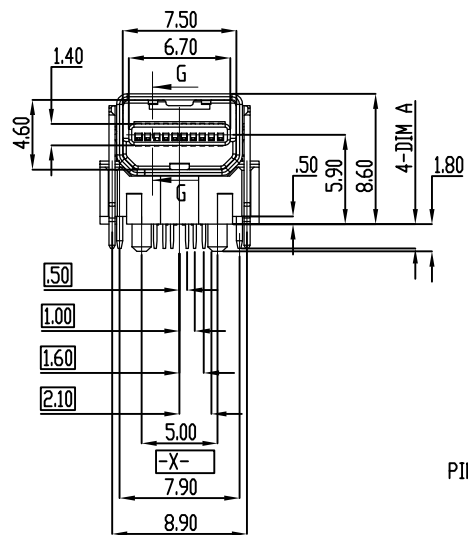


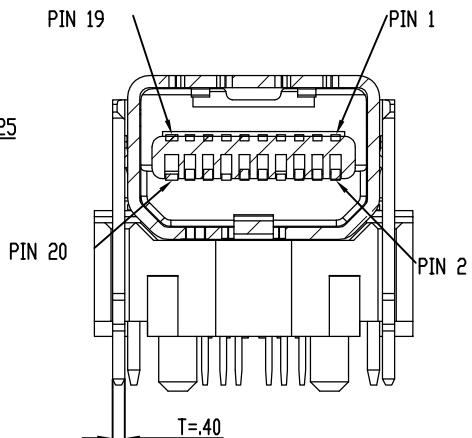
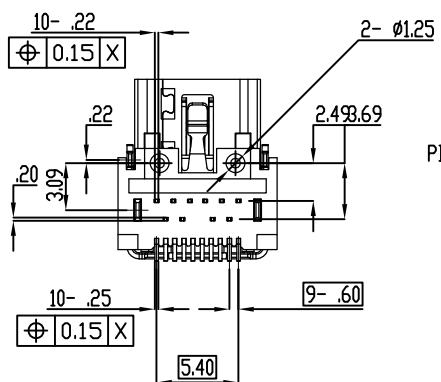
剖面圖 A-A



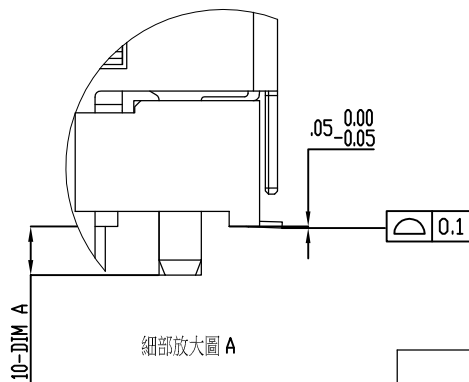
剖面圖 B-B



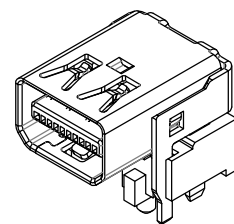
剖面圖 G-G



剖面圖 I-I



細部放大圖 A



Date code:  
 WW=Week Code  
 例如第一周=01  
 YY=Year  
 例如2011=11

**SPECIFICATION**  
**MATERIAL**  
 Insulator: (HTNFR52G30NH), rated UL94V-0  
 Contacts: Copper Alloy  
 Shell: Stainless  
**CONTACT PLATING**  
 Underplate: 50u"~150u" Nickel  
 Contact area: 1u"~30u" Selective gold  
 Solder tails area: 100u"~200u" MatteTin (Lead Free)  
**ELECTRICAL**  
 Operation voltage: 40V AC MAX.  
 Current rating: 0.5 A minimum.  
 Contact resistance: Contact= 30mΩ, Shell= 50mΩ  
 Insulation resistance: Unmated: 100 MΩ minum @ 500V DC  
 Mated: 10 MΩ minum @ 150V DC  
 Dielectric withstanding voltage: 500 VAC / minute  
 Temperature range: -20°C TO +85°C

Part no.  
 909 J H 20 F X T C4 X X C X  
 1 2 3 4 5 6 7 8 9 10 11 12

- |   |  |
|---|--|
| 1.SERIES NO:<br>909=Display Port                | 6.CONTACT AREA PLATING:<br>S=Gold Flash                    |
| 2.J=DIP+SMT                                     | 7.SOLDER TAILS AREA PLATING:<br>T=100u"min. TIN(Lead Free) |
| 3.GREEN OPTION:<br>H=RoHS (Matte)(Halogen Free) | 8.APPLY TYPE:<br>C4=MINI Display Port                      |
| 4.CONTACT NUMBER:<br>20=20 PINS                 | 9.SHELL PLATING:<br>N=Nickel                               |
| 5.CONTACT TYPE:<br>F=FEMALE                     | 10.3=Off-Set 5.9mm<br>DIM A =1.60mm                        |
|   | 11.PACKING STYLE:<br>C=TAPE REEL                           |
|   | 12.INSULATOR COLOR:<br>3=Black                             |

UNLESS OTHERWISE SPECIFIED TOLERANCE	
ANG.	± 5°
0.	± 0.50
.0	± 0.30
.00	± 0.20

SCALE: AS SHOWN UNIT: mm

DRAWN PEARL 03/17/2017

CHECKED

APPROVED

DATE SIZE A4 REV. C



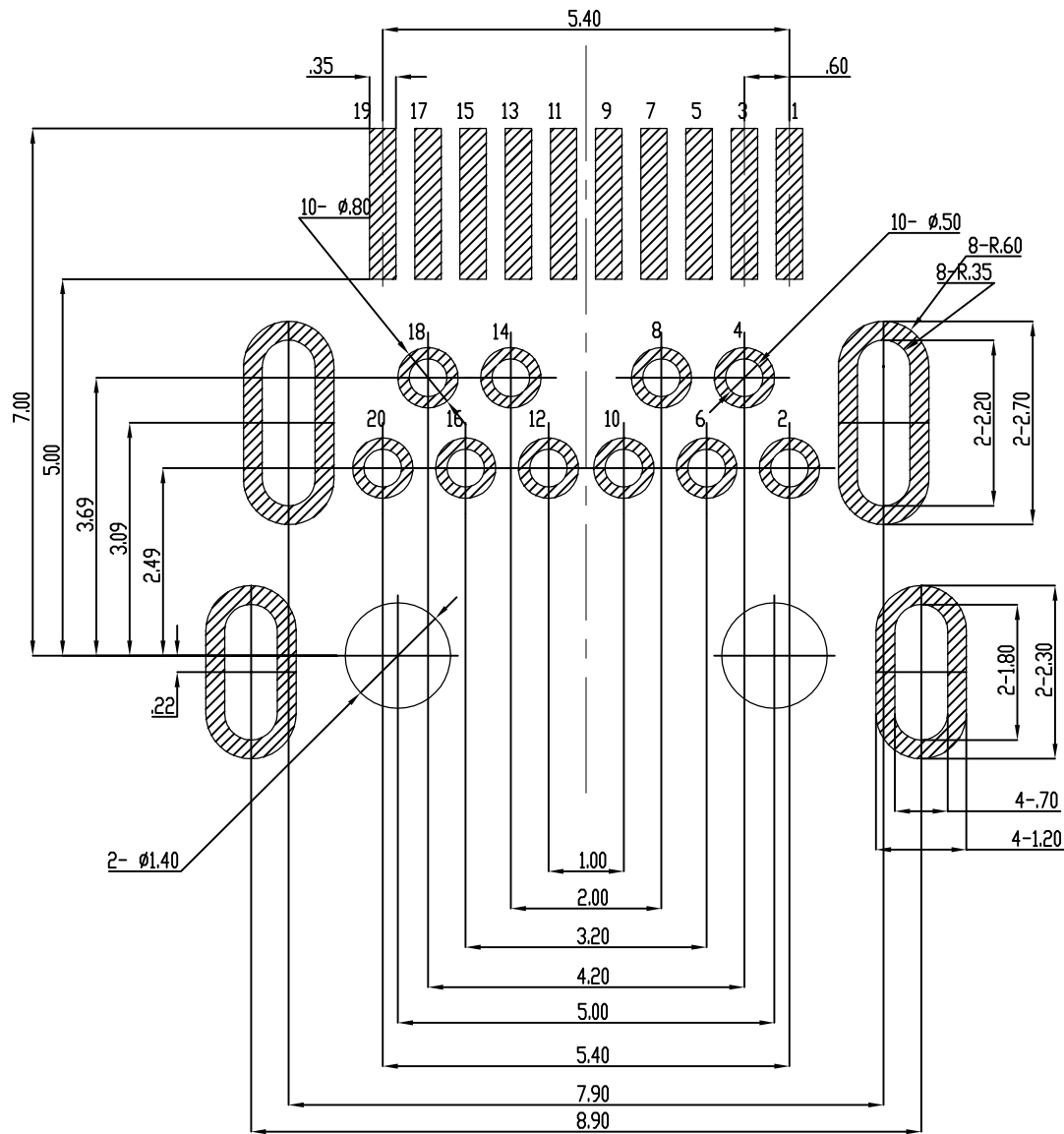
CHANT SINCERE CO.,LTD  
 TEL:086-02-86471251 FAX:086-02-86472962

DRAWN NAME:  
 Mini Display Port Connector 1/2

PRODUCT NO. 909JH20FXTC4XXCX

FILE NAME: C-909JH20FXTC4N3CC(GA)

REV.	DESCRIPTION	DATE
1		



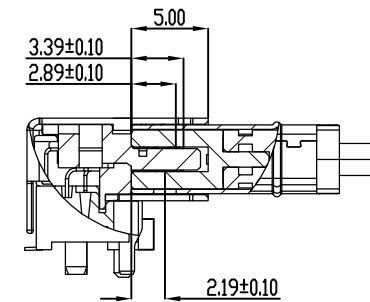
RECOMMENDED PCB LAYOUT  
GENERAL TOLERANCE ± 0.05

SOURCE SIDE

PIN NUMBER	PIN NAME
1	GND
2	Hot Plug Detect
3	ML_Lange0(p)
4	CONFIG 1
5	ML_Lange0(n)
6	CONFIG 2
7	GND
8	GND
9	ML_Lange1(p)
10	ML_Lange3(p)
11	ML_Lange1(n)
12	ML_Lange3(n)
13	GND
14	GND
15	ML_Lange2(p)
16	AUX_CH(p)
17	ML_Lange2(n)
18	AUX_CH(n)
19	GND
20	DP_PWR(PWR OUT)

SINK SIDE

PIN NUMBER	PIN NAME
1	GND
2	Hot Plug Detect
3	ML_Lange3(n)
4	CONFIG 1
5	ML_Lange3(p)
6	CONFIG 2
7	GND
8	GND
9	ML_Lange2(n)
10	ML_Lange0(n)
11	ML_Lange2(p)
12	ML_Lange0(p)
13	GND
14	GND
15	ML_Lange1(n)
16	AUX_CH(p)
17	ML_Lange1(p)
18	AUX_CH(n)
19	GND
20	DP_PWR(PWR OUT)



Fully mated Mini DisplayPort Connector showing mating levels

UNLESS OTHERWISE SPECIFIED TOLERANCE  
ANG. ± 5°  
0. ± 0.50  
.0 ± 0.30  
.00 ± 0.20



CHANT SINCERE CO.,LTD  
TEL:886-02-86471251 FAX:886-02-86472962

SCALE: AS SHOWN	UNIT: mm
DRAWN PEARL	03/17/2017
CHECKED	
APPROVED	

DRAWN NAME: Mini Display Port Connector 2/2

PRODUCT NO. 909JH20FXTC4XXCX

REV.	DESCRIPTION	DATE	SIZE A4	REV. C	FILE NAME: C-909JH20FXTC4N3CC(GA)
1					