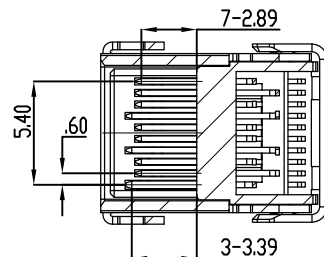
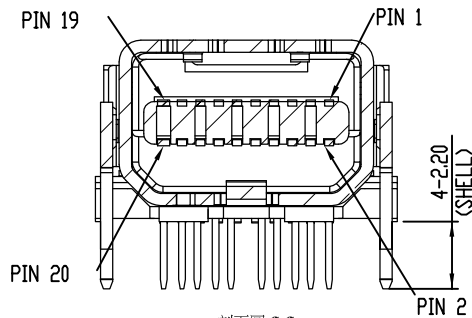
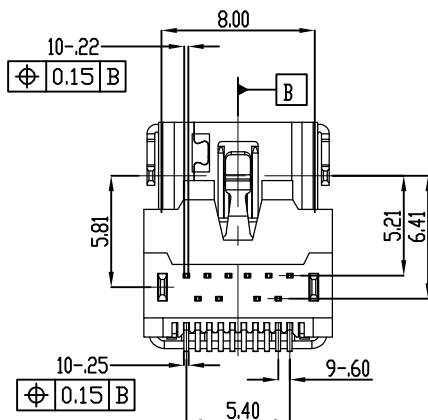
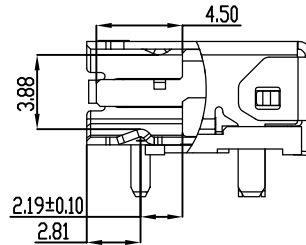
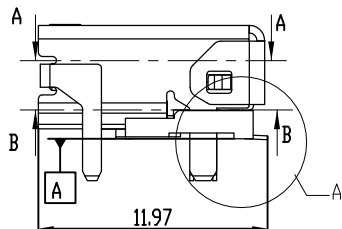
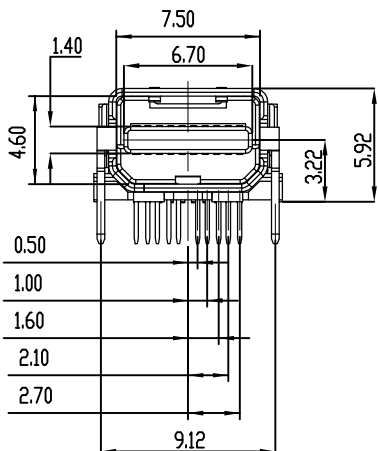


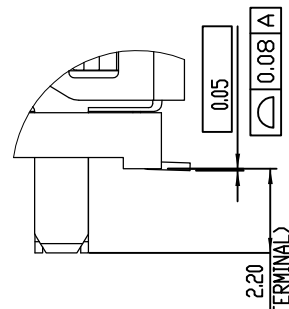
剖面圖 A-A



剖面圖 B-B



剖面圖 C-C



細部放大圖 A

SPECIFICATION

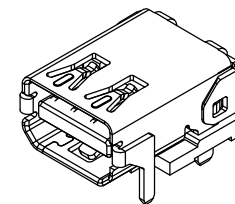
MATERIAL
 Insulator: Thermoplastic, rated UL94V-0
 Contacts: Copper Alloy
 Shell: Copper Alloy
 CONTACT PLATING
 Underplate: 50u" Nickel
 Contact area: 30u" Selective gold
 Solder tails area: 100u"~200u" MatteTin (Lead Free)
 ELECTRICAL
 Operation voltage: 40V AC Max.
 Current rating: 0.5 A minimum.
 Contact resistance: Contact= 30mΩ , Shell= 50mΩ
 Insulation resistance:Unmated: 100 MΩ minimum @ 500V DC
 Mated: 10 MΩ minimum @ 150V DC
 Dielectric withstanding voltage: 500 VAC / minute
 Temperature range: -20°C TO +85°C

Part no.


909 J F 20 F D T C 4 9 6 C 3
 1 2 3 4 5 6 7 8 9 10 11 12

- 1.SERIES NO.
909=Display Port
- 2.J=DIP+SMT
- 3.GREEN OPTION:
F=RoHS (Matte)
- 4.CONTACT NUMBER:
20=20 PINS
- 5.CONTACT TYPE:
F=FEMALE
- 6.CONTACT AREA PLATING:
S=1u" Gold

- 7.SOLDER TAILS AREA PLATING:
T=100u"~200u" TIN(Lead Free)
- 8.APPLY TYPE:
C4=MINI Display Port
- 9.SHELL PLATING:
9=TIN(Matte)
- 10.6=Off-Set 3.2mm,DIP=2.20mm,W/D Peg
- 11.PACKING STYLE:
C=TAPE REEL
- 12.INSULATOR COLOR:
3=Black



UNLESS OTHERWISE SPECIFIED TOLERANCE	
ANG.	± 5°
0.	± 0.50
.0	± 0.30
.00	± 0.20
SCALE:	AS SHOWN
UNIT:	mm
DRAWN	PEARL
CHECKED	/ /
APPROVED	/ /
DATE	12/28/12'
SIZE	A4
REV.	B



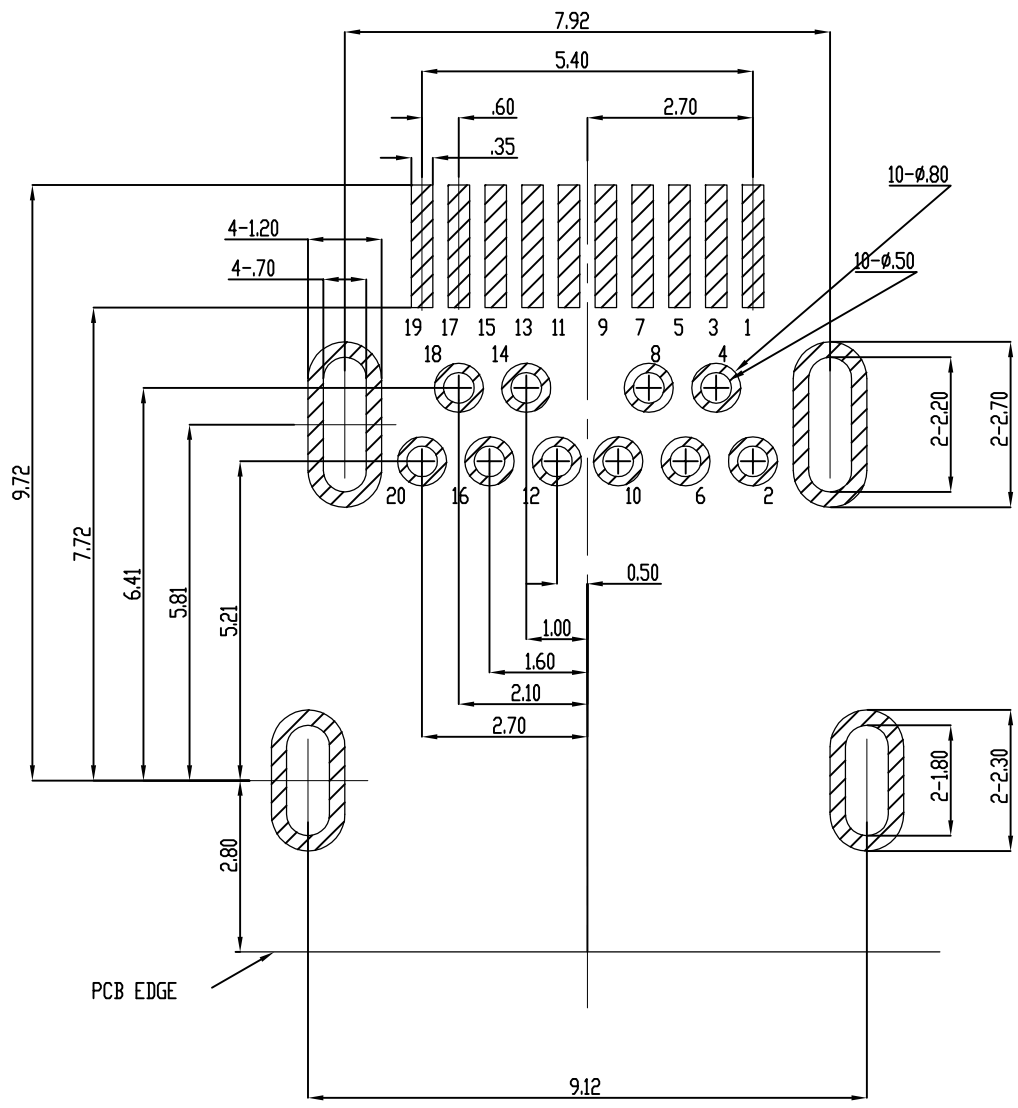
CHANT SINCERE CO.,LTD
 TEL:886-02-86471251 FAX:886-02-86472962

DRAWN NAME:
 MINI DISPLAY PORT (F) 1/2

PRODUCT NO. 909JF20FDTC496C3

FILE NAME: C-909JF20FDTC496C3(GA)

REV.	DESCRIPTION	DATE	SIZE	REV.



RECOMMENDED P.C.B. LAYOUT
TOLERANCERS: ± 0.05mm

SOURCE SIDE

PIN NUMBER	PIN NAME
1	GND
2	Hot Plug Detect
3	ML_Lange0(p)
4	CONFIG 1
5	ML_Lange0(n)
6	CONFIG 2
7	GND
8	GND
9	ML_Lange1(p)
10	ML_Lange3(p)
11	ML_Lange1(n)
12	ML_Lange3(n)
13	GND
14	GND
15	ML_Lange2(p)
16	AUX_CH(p)
17	ML_Lange2(n)
18	AUX_CH(n)
19	GND
20	DP_PWR(PWR OUT)

SINK SIDE

PIN NUMBER	PIN NAME
1	GND
2	Hot Plug Detect
3	ML_Lange3(n)
4	CONFIG 1
5	ML_Lange3(p)
6	CONFIG 2
7	GND
8	GND
9	ML_Lange2(n)
10	ML_Lange0(n)
11	ML_Lange2(p)
12	ML_Lange0(p)
13	GND
14	GND
15	ML_Lange1(n)
16	AUX_CH(p)
17	ML_Lange1(p)
18	AUX_CH(n)
19	GND
20	DP_PWR(PWR OUT)

UNLESS OTHERWISE SPECIFIED TOLERANCE
ANG. ± 5°
0. ± 0.50
.0 ± 0.30
.00 ± 0.20



CHANT SINCERE CO.,LTD
TEL:886-02-86471251 FAX:886-02-86472962

SCALE: AS SHOWN UNIT: mm
DRAWN PEARL 12/28/12'
CHECKED / /
APPROVED / /

DRAWN NAME: MINI DISPLAY PORT (F) 2/2
PRODUCT NO. 909JF20FDTC496C3
FILE NAME: C-909JF20FDTC496C3(GA)

REV.	DESCRIPTION	DATE	SIZE	REV.
1			A4	B