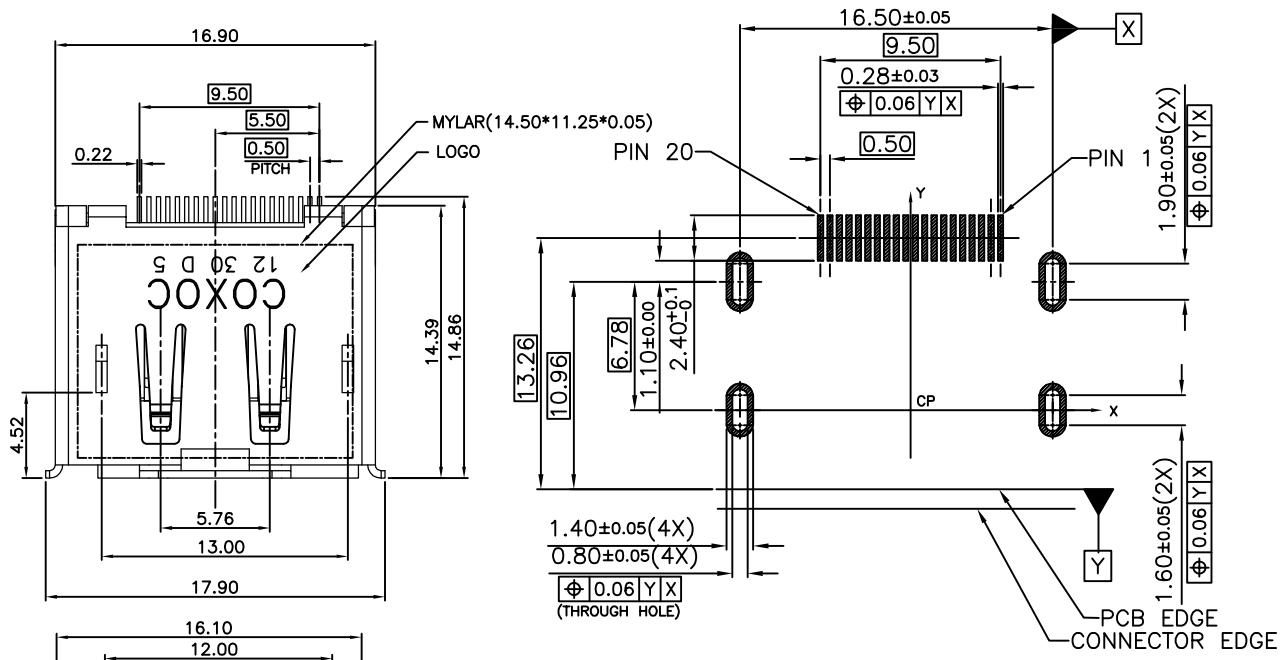


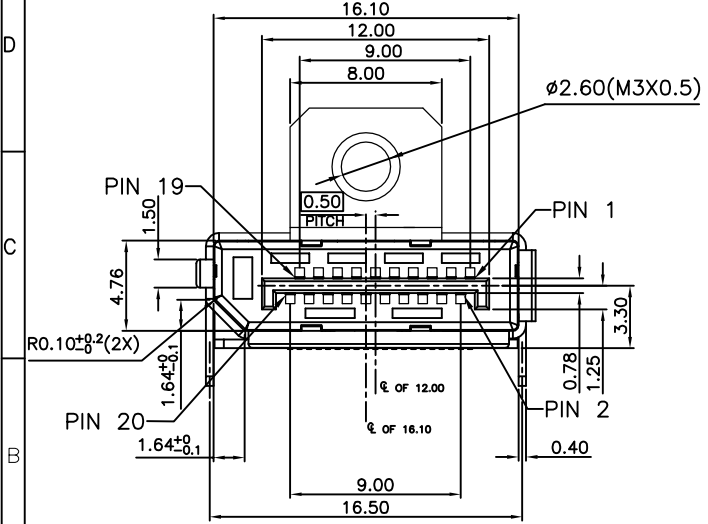
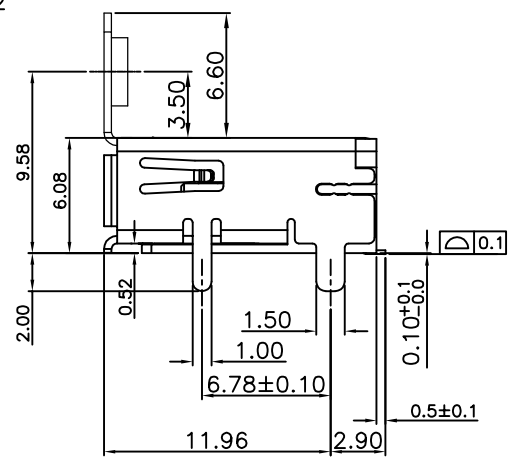
**SPECIFICATION**  
**MATERIAL**  
 Insulator: Thermal Plastic, Rated UL94V-0  
 Contacts: Copper Alloy  
 Shell: Copper Alloy  
**CONTACT PLATING**  
 Underplate: 50u"~100u" Nickel  
 Contact area: 15u"~30u" Selective Gold  
 Solder tails area: 100u"~200u" Tin(Lead Free)  
**ELECTRICAL**  
 Operation voltage: 40V  
 Current rating: 0.5A min.  
 Contact resistancr: 30mohms  
 Insulation resistance: 100Mohms  
 Dielectric withstanding voltage: 500V AC/Minute  
 Temperature range: -20°C to +85°C  
 Mating cycles: 10,000 insertions  
 PART NO.

909 D F 20 F X I 01 N X X C  
 1 2 3 4 5 6 7 8 9 10 11 12

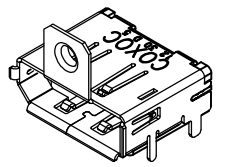
- |                                       |   |
|---------------------------------------|---|
| 1.SERIES NO.<br>909=DISPLAY PORT      | 7.SOLDER AREA PLATING<br>T=TIN                                  |
| 2.TYPE<br>D=SMT                       | 8.TYPE<br>01=STANDARD(板上型)<br>(SHELL DIP)                       |
| 3.GREEN OPTION<br>F=RoHS(Matte)       | 9.SHELL PLATING<br>N=NICKEL                                     |
| 4.CONTACT NUMBER<br>20                | 10.MYLAR OPTION:<br>G=W/O MYLAR,W/O PEG<br>(SHELL DIP,W/FLANGE) |
| 5.CONTACT TYPE<br>F=FEMALE            | 11.PACKING<br>A=TRAY  |
| 6.CONTACT AREA PLATING<br>C=15u" GOLD | 12.INSULATOR COLOR<br>C=BLACK+LOGO                              |



**RECCOMENDER PCB LAYOUT(THICKNESS=1.6±0.15)**



LOGO: COXOC  
 12 30 D 5  
 YEAR: EX.12=2012  
 WEEK CODE:  
 DAY CODE:  
 Sunday(星期日)= 1  
 Monday(星期一)= 2  
 Tuesday(星期二)= 3  
 Wednesday(星期三)= 4  
 Thursday(星期四)= 5  
 Friday(星期五)= 6  
 Saturday(星期六)= 7



UNLESS OTHERWISE SPECIFIED TOLERANCE	
ANG.	±2°
0.	±0.50
.0	±0.30
.00	±0.20



CHANT SINCERE CO.,LTD  
 TEL:886-02-86471251 FAX:886-02-86472962

SCALE: AS SHOWN UNIT: mm  
 DRAWN: PEARL 10/19/2015  
 CHECKED: / /  
 APPROVED: / /

DRAWN NAME: Display Port Receptacle

PRODUCT NO. 909DF20FXT01NXXC

REV.	DESCRIPTION	DATE	SIZE A4	REV. D	FILE NAME: C-909DF20FXT01NCAC(GA)
------	-------------	------	---------	--------	-----------------------------------