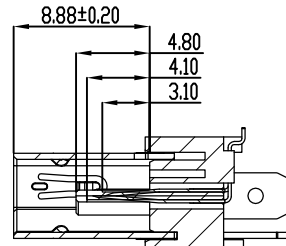
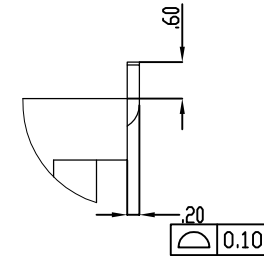
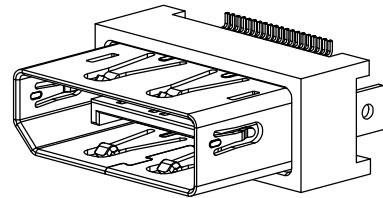
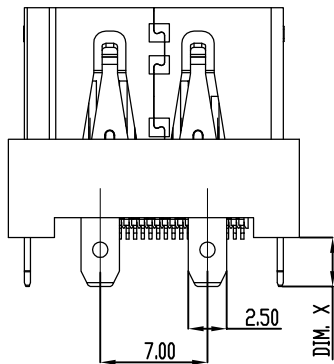
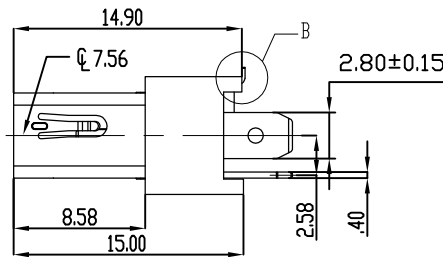
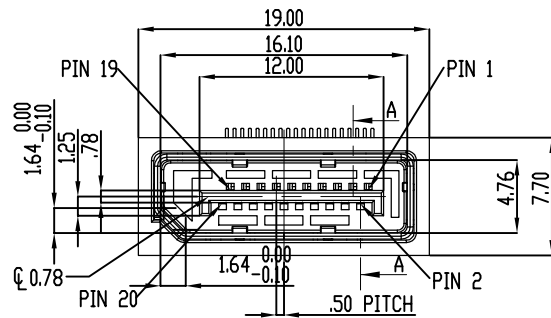


DATE CODE: YYWW  
 YEAR EX.14=2014  
 WEEK CODE



剖面圖 A-A



細部放大圖 B

**SPECIFICATION**

**MATERIAL**  
 Insulator: LCP, rated UL94V-0  
 Contacts: Copper Alloy  
 Shell: Steel, Nickel or 60u"~160u" Bright Tin  
**CONTACT PLATING**  
 Underplate: 50u"~100u" Nickel  
 Contact area: 1u"~30u" Selective gold  
 Solder tails area: 100u"~200u" Tin (Lead Free)  
**ELECTRICAL**  
 Operation voltage: 40 V  
 Current rating: 0.5 Amps max.  
 Contact resistance: 30 mohms initial  
 Insulation resistance: 100 Mohms min  
 Dielectric withstanding voltage: 500 VAC / minute  
 Temperature range: -20°C TO +85°C

Part no.

909 D D 20 F X I 07 X X C C  
 1 2 3 4 5 6 7 8 9 10 11 12

- 1.SERIES NO. 909=Display Port
- 2.D=SMT Type
- 3.GREEN OPTION: D=RoHS2+HF(Matte Plated)
- 4.CONTACT NUMBER: 20=20 PINS
- 5.CONTACT TYPE: F=FEMALE
- 6.CONTACT AREA PLATING: C=15u" GOLD
- 7.SOLDER TAILS AREA PLATING: T=100u"~200u" TIN(Lead Free)
- 8.APPLY TYPE: 07=07 TYPE
- 9.SHELL PLATING: A=Nickel
- 10.DIM. X OPTION: 0=3.20mm
- 11.PACKING STYLE: C=TAPE REEL
- 12.INSULATOR COLOR: C=Black+Date Code

UNLESS OTHERWISE SPECIFIED TOLERANCE	
ANG.	±5°
0.	±0.50
.0	±0.30
.00	±0.20
SCALE:	AS SHOWN
UNIT:	mm
DRAWN	PEARL
CHECKED	/ /
APPROVED	/ /
DATE	03/28/2017
SIZE	A4
REV.	D

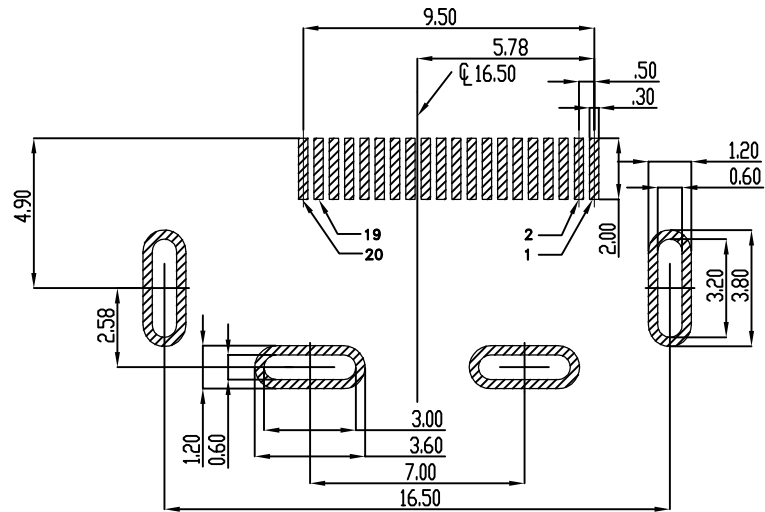
**Oxoc**

CHANT SINCERE CO.,LTD  
 TEL:886-02-86471251 FAX:886-02-86472962

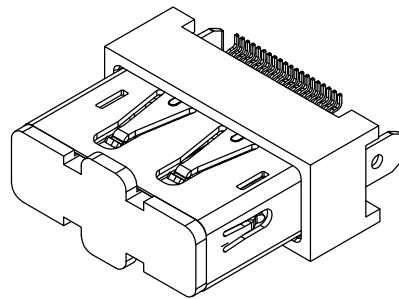
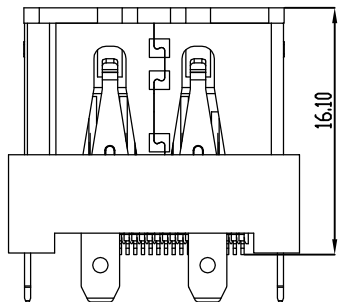
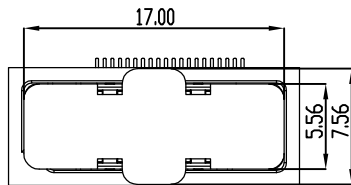
DRAWN NAME: (PDR-14072)  
 Display Port Connector (直立式) 1/2

PRODUCT NO. 909DD20FXT07XXCC  
 FILE NAME: C-909DD20FXT07A0CC(S06)

REV.	DESCRIPTION	DATE



RECOMMENDED P.C.B LAYOUT (T=1.60mm)  
TOLERANCES: ±0.05mm



CAP組裝示意圖

SOURCE SIDE

Pin Number	Pin Name
1	ML_Lane 0 (p)
2	GND
3	ML_Lane 0 (n)
4	ML_Lane 1 (p)
5	GND
6	ML_Lane 1 (n)
7	ML_Lane 2 (p)
8	GND
9	ML_Lane 2 (n)
10	ML_Lane 3 (p)
11	GND
12	ML_Lane 3 (n)
13	CONFIG1
14	CONFIG2
15	AUX CH (p)
16	GND
17	AUX CH (n)
18	Hot Plug Detect
19	Return
20	DP_PWR

SINK SIDE

Pin Number	Pin Name
1	ML_Lane 3 (n)
2	GND
3	ML_Lane 3 (p)
4	ML_Lane 2 (n)
5	GND
6	ML_Lane 2 (p)
7	ML_Lane 1 (n)
8	GND
9	ML_Lane 1 (p)
10	ML_Lane 0 (n)
11	GND
12	ML_Lane 0 (p)
13	CONFIG1
14	CONFIG2
15	AUX CH (p)
16	GND
17	AUX CH (n)
18	Hot Plug Detect
19	Return
20	DP_PWR

UNLESS OTHERWISE SPECIFIED TOLERANCE  
 ANG. ±5°  
 0. ±0.50  
 .0 ±0.30  
 .00 ±0.20

SCALE: AS SHOWN UNIT: mm

DRAWN PEARL 03/28/2017

CHECKED / /

APPROVED / /

DATE SIZE A4 REV. D



CHANT SINCERE CO.,LTD  
 TEL:886-02-86471251 FAX:886-02-86472962

DRAWN NAME: (PDR-14072)  
 Display Port Connector (直立式) 2/2

PRODUCT NO. 909DD20FXT07XXCC

FILE NAME: C-909DD20FXT07A0CC(S06)

REV.	DESCRIPTION	DATE
1		
2		
3		
4		
5		
6		
7		
8		
9		
10		