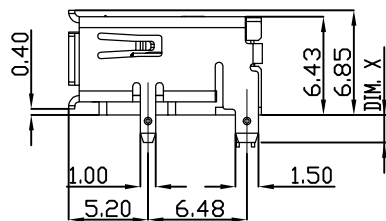
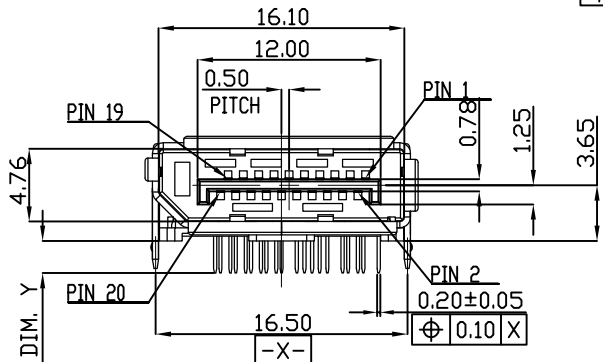


RECOMMENDER PCB LAYOUT (THICKNESS=1.40 ± 0.15)
TOP VIEW



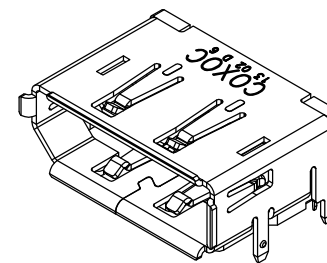
DATE CODE: XXXX
YEAR EX.09=2009
WEEK CODE

○ For SIP
◡ For CrK/Cpk

SPECIFICATION
MATERIAL
Insulator: LCP, rated UL94V-0
Contacts: Copper Alloy
Shell: Copper Alloy
CONTACT PLATING
Underplate: 50u"~100u" Nickel
Contact area: 1u"~30u" Selective gold
Solder tails area: 100u"~200u" Tin (Lead Free)
ELECTRICAL
Operation voltage: 40V
Current rating: 0.5 Amps min.
Contact resistance: 30 mohms max.
Insulation resistance: 100 Mohms min.
Dielectric withstanding voltage: 500 VAC / minute
Temperature range: -20°C TO +85°C
Mating cycles: 10,000 insertions
Part no.

909 A X 20 F X I 01 N X X C
1 2 3 4 5 6 7 8 9 10 11 12

- 1.SERIES NO: 909=Display Port
- 2.A=DIP Type
- 3.GREEN OPTION: D=Rohs2.0(Matte)(Halogen Free)
- 4.CONTACT NUMBER: 20=20 PINS
- 5.CONTACT TYPE: F=FEMALE
- 6.CONTACT AREA PLATING: C=15u" GOLD
- 7.SOLDER TAILS AREA PLATING: T=100u"~200u" TIN(Lead Free)
- 8.APPLY TYPE: 01=01 Type
- 9.SHELL PLATING: N=Nickel
- 10.DIM. X: B=(DIM. X=2.0mm, DIM. Y=1.80mm)+Mylar
- 11.PACKING STYLE: A=TRAY
- 12.INSULATOR COLOR: 3=Black



LOGO: COXOC
13 02 D 6
YEAR EX.12=2012
WEEK CODE
DAY CODE
Sunday(星期日)= 1
Monday(星期一)= 2
Tuesday(星期二)= 3
Wednesday(星期三)= 4
Thursday(星期四)= 5
Friday(星期五)= 6
Saturday(星期六)= 7

UNLESS OTHERWISE SPECIFIED TOLERANCE		SCALE: AS SHOWN		UNIT: mm		CHANT SINCERE CO.,LTD TEL.886-02-86471251 FAX886-02-86472962			
ANG.	± 2°	DRAWN	PEARL	03/15/2017	DRAWN NAME: Display Port DIP 01 TYPE	PRODUCT NO. 909AD20FCT01NXCC	FILE NAME: C-909AD20FCT01NBCC(GA)		
0.	± 0.50		CHECKED						1/2
.0	± 0.30		APPROVED						
.00	± 0.20								
REV.		DESCRIPTION	DATE		SIZE A4	REV. G			

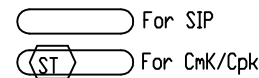
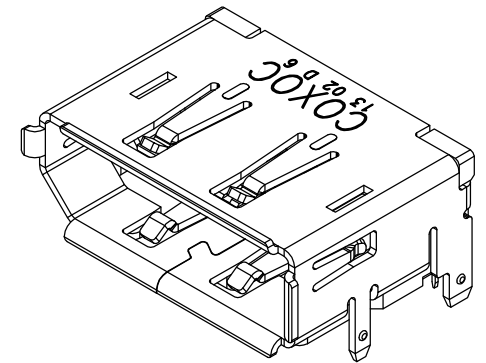
REV.	DESCRIPTION	DATE	SIZE	REV.	FILE NAME
1					C-909AD20FCT01NBCC(GA)


SOURCE SIDE

Pin Number	Pin Name
1	ML_Lane 0(p)
2	GND
3	ML_Lane 0(n)
4	ML_Lane 1 (p)
5	GND
6	ML_Lane 1 (n)
7	ML_Lane 2 (p)
8	GND
9	ML_Lane 2 (n)
10	ML_Lane 3 (p)
11	GND
12	ML_Lane 3 (n)
13	CONFIG1
14	CONFIG2
15	AUX CH (p)
16	GND
17	AUX CH (n)
18	Hot Plug Detect
19	Return
20	DP_PWR

SINK SIDE

Pin Number	Pin Name
1	ML_Lane 3(n)
2	GND
3	ML_Lane 3 (p)
4	ML_Lane 2 (n)
5	GND
6	ML_Lane 2 (p)
7	ML_Lane 1 (n)
8	GND
9	ML_Lane 1 (p)
10	ML_Lane 0 (n)
11	GND
12	ML_Lane 0 (p)
13	CONFIG1
14	CONFIG2
15	AUX CH (p)
16	GND
17	AUX CH (n)
18	Hot Plug Detect
19	Return
20	DP_PWR



UNLESS OTHERWISE SPECIFIED TOLERANCE		 CHANT SINCERE CO.,LTD TEL:886-02-86471251 FAX:886-02-86472962			
ANG.	± 2°				
0.	± 0.50	SCALE:	AS SHOWN	UNIT:	mm
.0	± 0.30	DRAWN	PEARL	DATE	03/15/2017
.00	± 0.20	CHECKED		APPROVED	
		DRAWN NAME:		DRAWN NAME:	
				DIP 01 TYPE 2/2	
		PRODUCT NO.		909AD20FCT01NXCC	
REV.		SIZE	A4	REV.	G
DESCRIPTION		FILE NAME:		C-909AD20FCT01NBCC(GA)	

REV.	DESCRIPTION	DATE	SIZE	REV.	FILE NAME
1			A4	G	C-909AD20FCT01NBCC(GA)