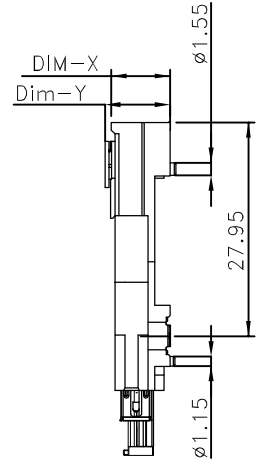
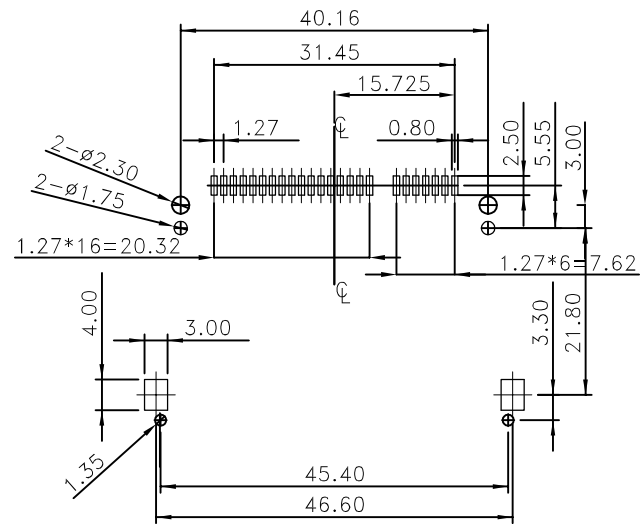


Stand-off Height	DIM-X	DIM-Y
Stand-off 0	5.7mm	6.5mm
Stand-off 2.0	7.7mm	8.5mm



LOGO:
 YEAR EX.14=2014
 WEEK CODE 14 30 D 5
 DAY CODE
 Sunday(星期日)= 1
 Monday(星期一)= 2
 Tuesday(星期二)= 3
 Wednesday(星期三)= 4
 Thursday(星期四)= 5
 Friday(星期五)= 6
 Saturday(星期六)= 7

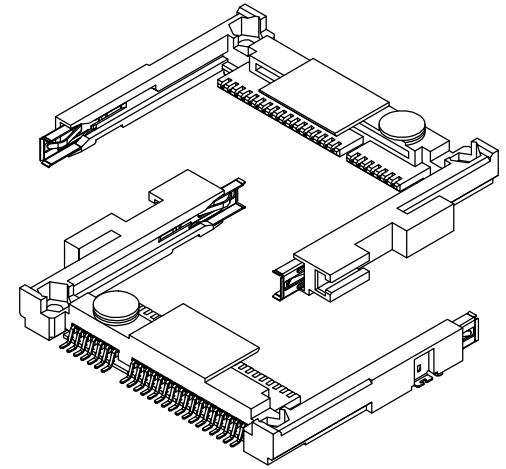


Recommended P.C.B LAYOUT
 Tolerance : +/-0.05mm

SPECIFICATION
 MATERIAL
 Insulator: Thermal Plastic ,UL94V-0
 Contacts: Copper Alloy
 Shell: Steel
 CONTACT PLATING
 Underplate: 50u"~100u" Nickel
 Contact area: 15u" Selective gold
 Solder tails area: 100u"~200u" Matte Tin (Lead Free)

Part no. 752 D H 24 M C T S3 1 X A X
 1 2 3 4 5 6 7 8 9 10 11 12

- | | |
|---|--|
| 1.SERIES NO.
752=CFAST Connector | 8.APPLY TYPE:
S3=CFAST Socket |
| 2.D=SMT Type | 9.Ejector Option:
1=w/o ejector |
| 3.GREEN OPTION:
H=RoHS (Matte)(Halogen Free) | 10.Stand-off Height:
0=0 mm
1=2.0 mm |
| 4.CONTACT NUMBER:
24=24 PINS | 11.PACKING STYLE:
A=TRAY |
| 5.CONTACT TYPE:
M=MALE | 12.INSULATOR COLOR:
3=Black |
| 6.CONTACT AREA PLATING:
C=15u" GOLD | |
| 7.SOLDER TAILS AREA PLATING:
T=100u"~200u" Matte Tin (Lead Free) | |



UNLESS OTHERWISE SPECIFIED TOLERANCE	
ANG.	±2°
0.	±0.30
.0	±0.20
.00	±0.10



CHANT SINCERE CO.,LTD
 TEL:886-02-86471251 FAX:886-02-86472962

SCALE: AS SHOWN	UNIT: mm
DRAWN Rita	09/22/2017
CHECKED	/ /
APPROVED	/ /

DRAWN NAME: Cfast Socket (w/o ejector)
 PRODUCT NO. 752DH24MCTS31XAX
 FILE NAME: C-752DH24MCTS310AC(C15)

REV.	DESCRIPTION	DATE
1		
2		
3		
4		
5		
6		