

HF
compliant

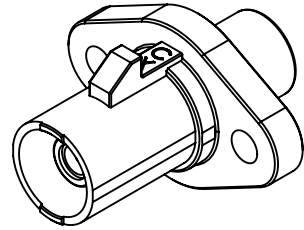


- SPECIFICATION**
MATERIALS AND FINISH:
1. INSULATOR: PTFE, COLOR: WHITE
 2. CONTACT: COPPER ALLOY
PLATING: 3u" AU OVER 50~150u" NI
 3. SPRING SHELL: COPPER ALLOY
PLATING: 50~150u" NI
 4. OUTER SHELL: ZINC ALLOY
PLATING: 120~240u" NI OVER 600~800u" CU

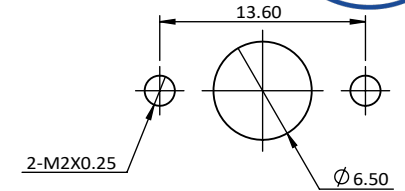
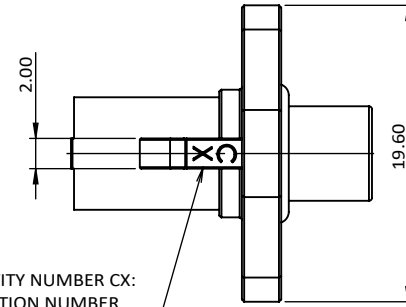
- ELECTRICAL:**
1. IMPEDANCE: 50 Ω
 2. INSULATION RESISTANCE: 1000 MΩ MIN.(DC 500V.)
 3. WITHSTANDING VOLTAGE: : AC 500 Vrms
 4. CURRENT RATING: 3A(DC)
 5. CONTACT RESISTANCE: 20 mΩ INITIAL (AFTER 40 mΩ MAX.)

- MECHANICAL:**
1. DURABILITY: 25 CYCLES
 2. OPERATING TEMPERATURE RANGE: -40°C TO +105°C
 3. USCAR-17 COMPLIANT

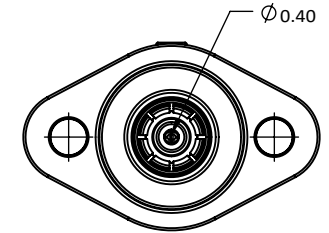
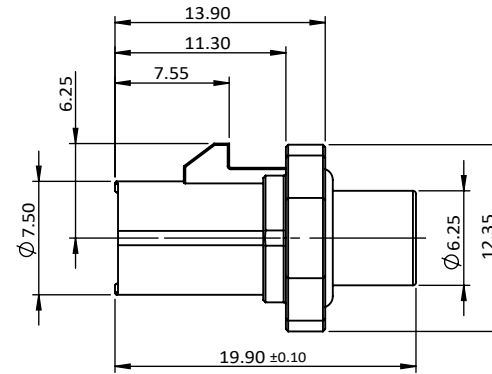
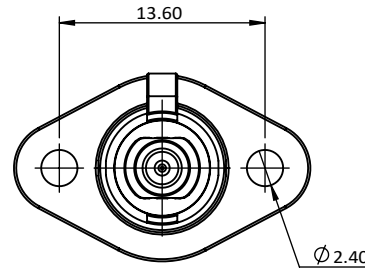
PACKING STYLE: TRAY



MODEL CAVITY NUMBER CX:
C:CORPORATION NUMBER
X:CAVITY INDEX(1&2)



RECOMMENDED PANEL THICKNESS: 2.00mm
TOLERANCES: 0.05mm



STANDARD		
A	F	Z

X=CODE			
7014102002X	N/A	RoHS+HF	IP69K
7014102001X	S410DE01MRRC22AX	RoHS	IP69K
NEW P/N	OLD P/N	GREEN OPTION	NOTE
UNLESS OTHERWISE SPECIFIED TOLERANCE ANG. ±5° 0. ±0.50 .0 ±0.30 .00 ±0.20		SIP Cmk Cpk	 CHANT SINCERE CO.,LTD
SCALE: 2:1	UNIT: mm		
B7	F	ECN-2509123(ANDY)REVISE TOLERANCE	30SEP2025
B6	E	ECN-2401093(KEVIN)MODIFY RoHF OPTION	24JAN2024
	D	ECN-2308051(TINA)NEW RoHF OPTION	22AUG2023
Zone	Revision	Description	Date
DRAWN: HOLLY_TU		01 OCT 2025	TITLE: SMB-CM TO FAKRA ADAPTER & UN-MATED WATER-PROOF
CHECKED: JERRY_CHOU		03 OCT 2025	
APPROVED: MARK_YEN		03 OCT 2025	PART NO. 7014102XXXX
SIZE A4		SHEET 1/1	REV. F
CODE:		CUSTOMER:	

A

A