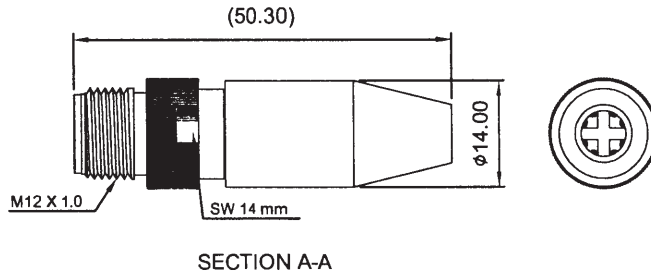
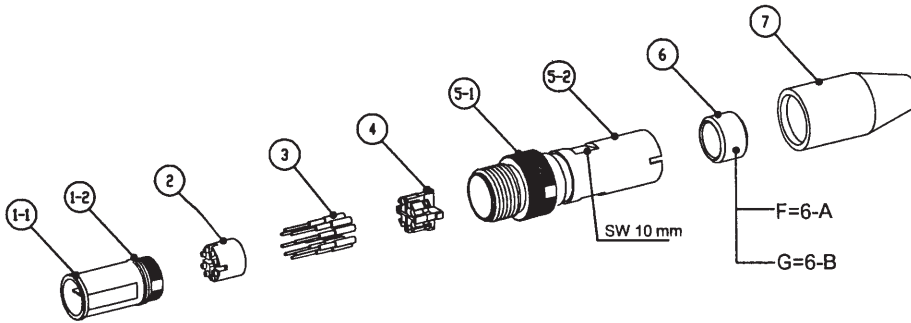


Contact face



SECTION A-A



**SPECIFICATION**

**MATERIAL**

Insulator:PA66 GF25%,rated UL94V-0

Contacts:Brass(C3604-EH)

Shell:Brass(C3604-EH)/Zinc Alloy

O-ring:Silicon Rubber

**CONTACT PLATING**

Underplate:50u"~100u" Nickel

Contact area:30u" Gold

Solder tails area:30u" Gold

**ELECTRICAL**

Rated current:0.5 Amps max.

Rated voltage:48V

Contact resistance:5 mΩ MAX.

Insulation resistance:

100 MΩ min @ 500 V ±15V DC

Dielectric withstanding voltage:

500 VAC / minute

**General data**

Standard/Regulation:

M12 connector IEC 61076-2-109

Cable AWG :24AWG

Temperature range: -25°C TO +85°C

Mating cycles:100 insertions

Waterproof Rate: IP67

Part no.

649 K E 08 M D D D1 N X A 3  
1 2 3 4 5 6 7 8 9 10 11 12

**1.SERIES NO.**

649=Water Proof Connection

2.K=Epoxy Type(Crimp Pin)

3.GREEN OPTION:

E=RoHS (Bright)

4.CONTACT NUMBER:

08=8 PINS

5.CONTACT TYPE:

M=MALE

6.CONTACT AREA PLATING:

D=30u" GOLD

**7.Crimp TAILS AREA PLATING:**

D=30u" GOLD

8.APPLY TYPE:

D1= Cable end 180°

9.SHELL PLATING:

N=NICKEL

10.Special practice:

F=X-Code For OD 5.5~6.5mm(24AWG)

G=X-Code For OD 7.5~8.5 mm(24AWG)

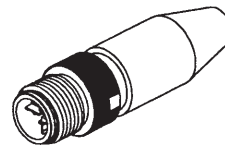
11.PACKING STYLE:

A=TRAY

12.Insulator Color:

3=Black

NO.	P/N	Parts of name	Material	Q'ty
1	S4649AE32ND1F05A	Front metal shell	Zinc Alloy 50μ"~100 μ" Nickel +VITON (B-70)	1
1-1	M4649AE32ND1F05A	Front metal shell	Zinc Alloy 50μ"~100 μ" Nickel	1
1-2	M1349ME00F04701A	O-ring	VITON (B-70)	3
2	M1649AE08MD13E1A	Front Plastic body	PA66 GF25%,rated UL94V-0	1
3	M2649KE1DDD101A	M12 X-Code Plug Contact	Brass (C3604-EH) 30μ" Gold	8
4	M1649ME08MD13E3A	Cable Holder	PA66 ,rated UL94V-0	1
5	S4649AE32ND1F04A	Male-Mate Shell Part	Brass (C3604-EH) 50u"~100u" Nickel	1
5-1	M4649AE32ND1F03A	Front metal body	Brass (C3604-EH) 50u"~100u" Nickel	1
5-2	M4649AE32ND1F06A	Middle Holder	Brass (C3604-EH) 50u"~100u" Nickel	1
6		Crimp O-Ring	Silicon rubber 60°	1
6-A	M1649AERCPD1306A	Crimp O-Ring for OD 6.2 cable	Silicon rubber 60°	
6-B	M1649AERCPD5303A	Crimp O-Ring for OD 8.5 cable	Silicon rubber 60°	
7	M1649AE04MD5301A	Rubber Boot	Silicon rubber 70°	1



UNLESS OTHERWISE SPECIFIED TOLERANCE	
ANG.	± 5°
0.	± 0.50
.0	± 0.30
.00	± 0.20

SCALE: AS SHOWN UNIT: mm

DRAWN Riley 01/18/2018

CHECKED [Signature]

APPROVED [Signature] 02/14/18

SIZE A4 REV. B

**OXOC**

**CHANT SINCERE CO.,LTD**  
TEL:886-02-86471251 FAX:886-02-86472962

DRAWN NAME: M12 X-Code Male Crimp Cable end

PRODUCT NO. 649KE08MDDD1NXA3

FILE NAME: C-649KE08MDDD1NFA3

REV.	DESCRIPTION	DATE	SIZE	REV.	FILE NAME
1			A4	B	C-649KE08MDDD1NFA3