

RoHS
compliant



SPECIFICATION

MATERIAL AND FINISH:

1. CODING HOUSING: PA
2. INNER HOUSING : THERMOPLASTIC, BLACK
3. CONTACT: COPPER ALLOY
PLATING AREA: 6u" AU OVER 80~160u" NI
SOLDER TAIL AREA: 80~160u" SN OVER 80~160u" NI
4. POWER PINS: COPPER ALLOY
PLATING AREA: 40~160u" SN OVER 40~160u" NI
5. OUTER CONTACT(PCB): ZAMAK 3
PLATING AREA: 120~240u" SN (MATTE) OVER 120~240u" NI
OVER 600~800u" CU

ELECTRICAL CHARACTERISTIC:

1. CHARACTERISTIC IMPEDANCE: 100 Ω
2. FREQUENCY RANGE: DC TO 10.0 GHz
3. RETURN LOSS: ≥30 dB, 0.01 GHz TO 3 GHz
≥25 dB, 3 GHz TO 6 GHz
≥20 dB, 6 GHz TO 10 GHz
4. INSULATION RESISTANCE: 100 MΩ MIN.
5. CENTER CONTACT RESISTANCE: ≤10 mΩ
6. OUTER CONTACT RESISTANCE: ≤7.5 mΩ
7. WORKING VOLTAGE : ≤60V DC
8. POWER CURRENT: ≤1.5A DC
9. POWER CURRENT MQS PINS: ≤5A DC

MECHANICAL CHARACTERISTIC:

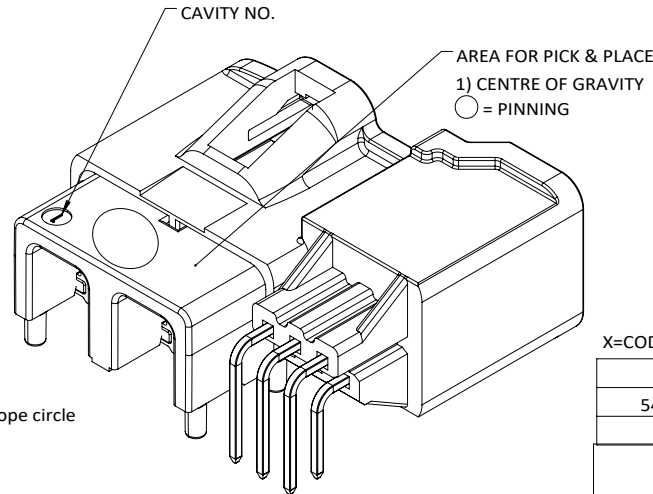
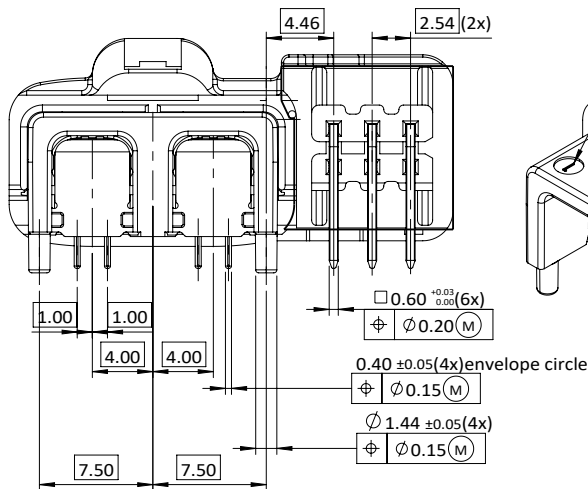
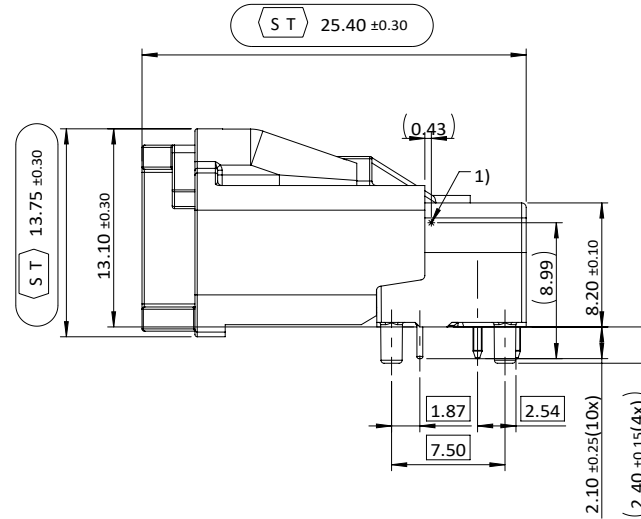
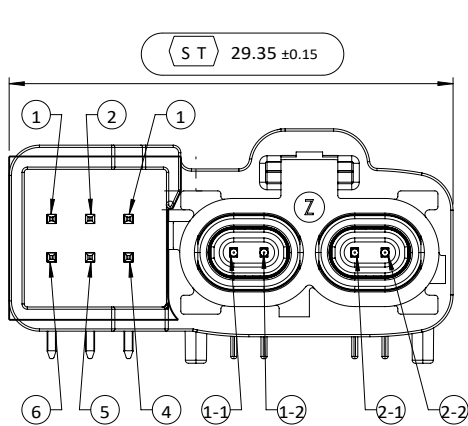
1. DURABILITY: ≥20 CYCLES
2. OPERATING TEMPERATURE RANGE: -40°C TO +105°C

PACKING:

1. TAPE REEL

NOTE:

ALL MATERIALS MUST BE USCAR-2, USCAR-17 AND EIA-364 COMPLIANT;
SUPPORTING DOCUMENTATION MUST BE MADE AVAILABLE ON REQUEST

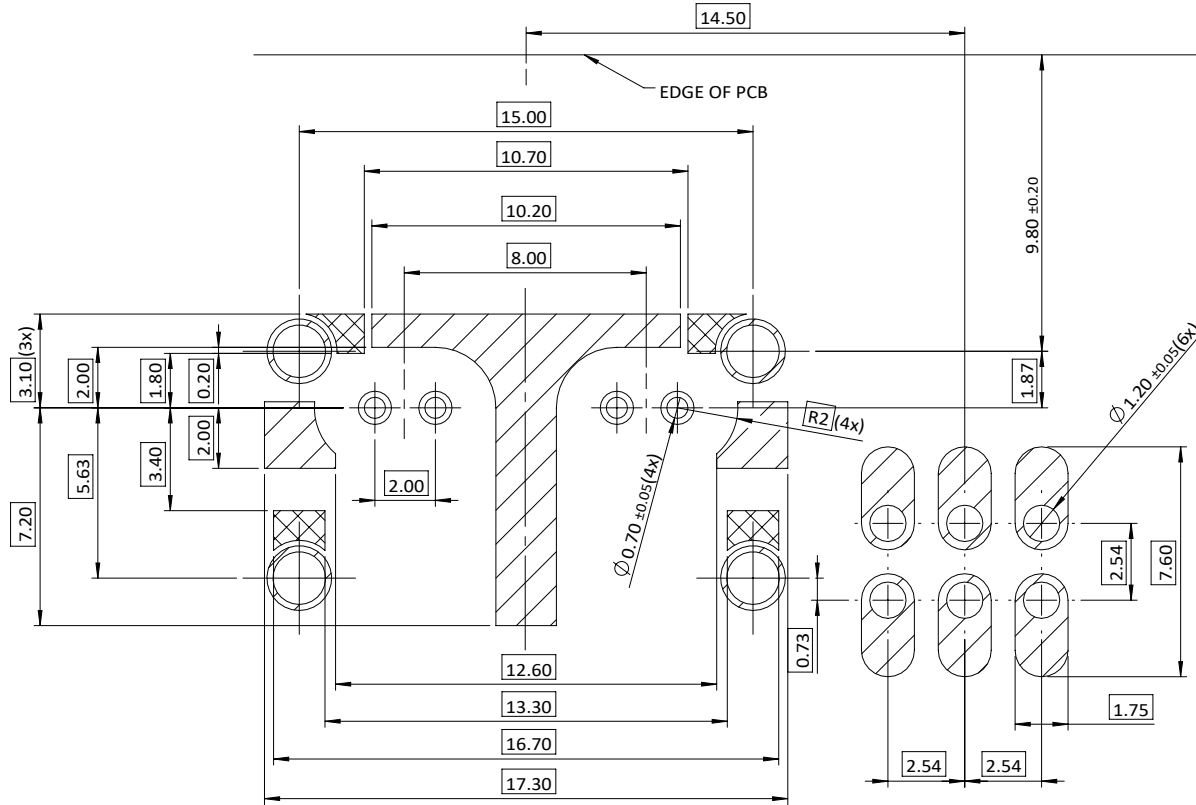


X=CODING,SEE PAGE 3/3



| | | | | | |
|---|--|-------------------|--|----------------------------------|--|
| 5440302001X | | W/ GROUND PIN | | | |
| NEW P/N | | TYPE | | NOTE | |
| UNLESS OTHERWISE SPECIFIED TOLERANCE | | SIP Crnk Cpk | | CHANT SINCERE CO.,LTD | |
| ANG. +5° 0. +0.50 .0 +0.30 .00 +0.20 | | UNIT: mm | | | |
| SCALE: 2:1 | | DRAWN: CANDY_CHEN | | TITLE: PDR-24006 | |
| CHECKED: JERRY_CHOU | | 30 Jan 2026 | | CAR ETHERNET 1X2 + MQS 6PIN (RA) | |
| APPROVED: JERRY_CHOU | | 05 Feb 2026 | | PART NO. 5440302001X | |
| SIZE A4 SHEET 1/3 | | REV. A | | CODE: GC CUSTOMER: | |

| | | | | | | | | | |
|------|----------|--------------------------------|---|-----------|------|----------------------|------|------|-----------|
| A | | ECN-2601098(JOE)X3 CHANGE TO A | | 30JAN2026 | | PART NO. 5440302001X | | C | |
| ZONE | REVISION | DESCRIPTION | | DATE | SIZE | SHEET | REV. | CODE | CUSTOMER: |
| 1 | 2 | 3 | 4 | 5 | 6 | 7 | 8 | 9 | 10 |



RoHS
compliant



SCALE: 4:1

-  SOLDER AREA
-  KEEP OUT AREA, FREE OF SOLDER

THE STATED DIMENSIONS ARE ONLY RECOMMENDATIONS.
THIS GIVEN LAYOUT IS NOT OPTIMISED TO FIT ALL OF THE POSSIBLE BOARD CONFIGURATIONS REGARDING RF-PERFORMANCE, IT REPRESENTS A RECOMMENDATION FOR OPTIMAL PLACEMENT OF THE CONNECTOR.
IN ORDER TO GUARANTEE OPTIMUM HIGH FREQUENCY PROPERTIES OF THE CONNECTOR, AN RF-ANALYSIS OF THE CONNECTOR TO BOARD TRANSITION IS RECOMMENDED.

| | |
|--------------------------------------|---|
| UNLESS OTHERWISE SPECIFIED TOLERANCE |  SIP |
| ANG. +5° |  Crmk Cpk |
| 0. +0.50 | |
| .0 +0.30 | |
| .00 +0.20 | |

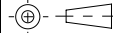
SCALE: 4:1 UNIT: mm



| | |
|----------------------|-------------|
| DRAWN: CANDY_CHEN | 30 Jan 2026 |
| CHECKED: JERRY_CHOU | 05 Feb 2026 |
| APPROVED: JERRY_CHOU | 05 Feb 2026 |

| | |
|----------------------|----------------------------------|
| TITLE: PDR-24006 | CAR ETHERNET 1X2 + MQS 6PIN (RA) |
| PART NO. 5440302001X | |

| | | | |
|------|----------|--------------------------------|-----------|
| ZONE | REVISION | DESCRIPTION | DATE |
| 1 | A | ECN-2601098(JOE)X3 CHANGE TO A | 30JAN2026 |

| | | | | | |
|---|---------|-----------|--------|----------|-----------|
|  | SIZE A4 | SHEET 2/3 | REV. A | CODE: GC | CUSTOMER: |
|---|---------|-----------|--------|----------|-----------|

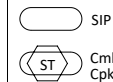
RoHS
compliant



*=DEVELOPING

| | | | | | | |
|--------------------------------|--------------------------------|--------------------------------|-----------------------------------|-----------------------------------|---------------------------------|-----------------------------------|
| *A | *B | *C | *D | *E | *F | G |
| JET BLACK SIMILAR RAL 9005 | PURE WHITE SIMILAR RAL 9010 | LIGHT BLUE SIMILAR RAL 5012 | CLARET VIOLET SIMILAR RAL 4004 | MAY GREEN SIMILAR RAL 6017 | NUT BROWN SIMILAR RAL 8011 | PLATINUM GREY SIMILAR RAL 7036 |
| | | | | | | |
| H | J | K | L | M | O | *Z |
| LIGHT PINK SIMILAR RAL 3015 | BEIGE SIMILAR RAL 1001 | CURRY SIMILAR RAL 1027 | YELLOW GREEN SIMILAR RAL 6018 | PASTEL ORANGE SIMILAR RAL 2003 | LIGHT GREEN SIMILAR RAL 6027 | WATER BLUE SIMILAR RAL 5021 |
| | | | | | | |

| | |
|--------------------------------------|-------|
| UNLESS OTHERWISE SPECIFIED TOLERANCE | |
| ANG. | +5° |
| 0. | +0.50 |
| .0 | +0.30 |
| .00 | +0.20 |



| | |
|----------------------|-------------|
| SCALE: 2:1 | UNIT: mm |
| DRAWN: CANDY_CHEN | 30 Jan 2026 |
| CHECKED: JERRY_CHOU | 05 Feb 2026 |
| APPROVED: JERRY_CHOU | 05 Feb 2026 |

| | |
|----------------------------------|---|
| TITLE: PDR-24006 | |
| CAR ETHERNET 1X2 + MQS 6PIN (RA) | |
| PART NO. 5440302001X | C |

| | | | |
|------|----------|--------------------------------|-----------|
| ZONE | REVISION | DESCRIPTION | DATE |
| 1 | A | ECN-2601098(JOE)X3 CHANGE TO A | 30JAN2026 |

| | | | | | |
|--|---------|-----------|--------|----------|-----------|
| | SIZE A4 | SHEET 3/3 | REV. A | CODE: GC | CUSTOMER: |
|--|---------|-----------|--------|----------|-----------|

| | | | | | | | | | |
|---|---|---|---|---|---|---|---|---|----|
| 1 | 2 | 3 | 4 | 5 | 6 | 7 | 8 | 9 | 10 |
|---|---|---|---|---|---|---|---|---|----|