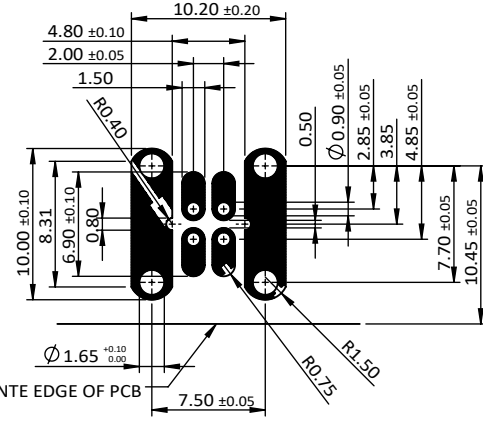
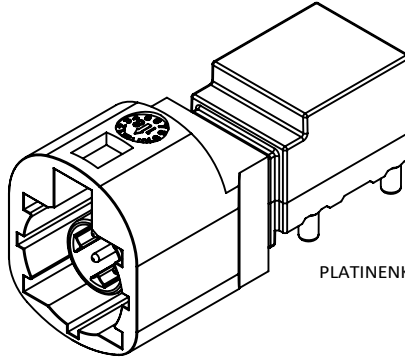
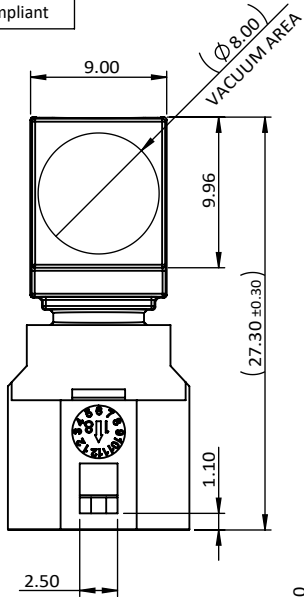
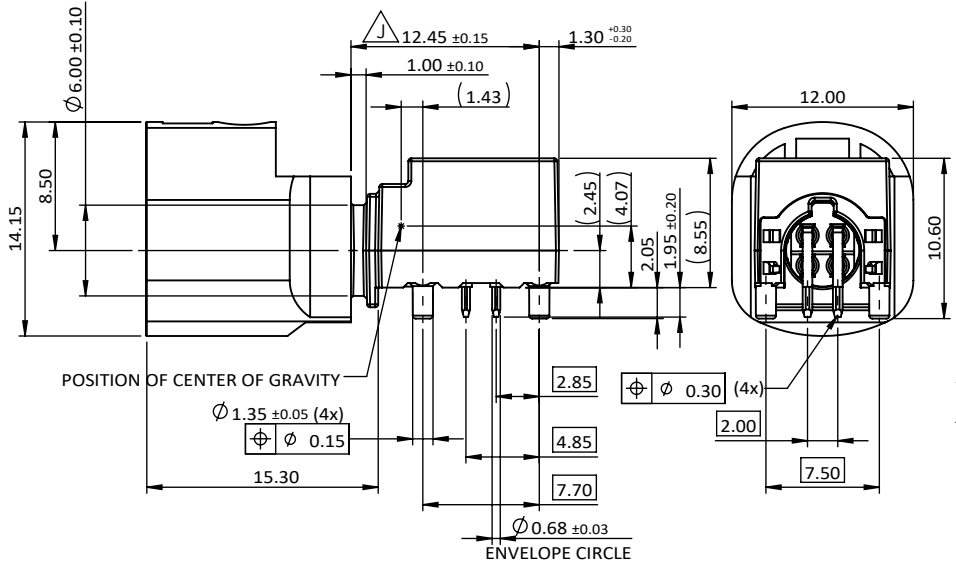
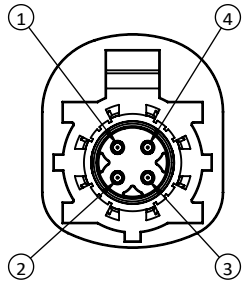


HF compliant



RECOMMENDED PCB LAYOUT
TOLERANCE: ±0.05mm



APPLICATION	PIN 1	PIN 2	PIN 3	PIN 4
1x USB 2.0 + Supply Power	D+	Vcc	D-	GND

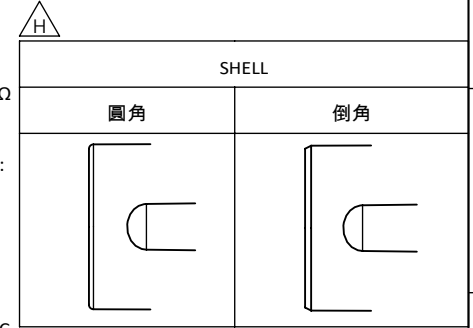
SPECIFICATION
MATERIAL AND FINISH:
1. INSULATOR: PA9T OR PA6T
2. CONTACTS: BRASS
 PLATING: CONTACT AREA: 6u" SELECTIVE AU
 SOLDER TAILS AREA: 80~160u" MATTE SN (LEAD FREE)
3. OUTER CONTACTS: ZINC ALLOY
 PLATING: 120~240u" SN (MATTE) OVER 120~240u" NI OVER 600~800u" CU

ELECTRICAL CHARACTERISTIC:
1. IMPEDANCE, DIFFERENTIAL MODE: 100 Ω DIFFERENTIAL SIGNALLING, FOR ONE PAIR OR QUAD CABLE SHIELDED
2. FREQUENCY: DC to 2.0 GHz
3. RETURN LOSS: ≥ 20 dB to 1.0 GHz
 ≥ 17 dB to 2.0 GHz
4. INSERTION LOSS: ≤ 0.1 dB @ 1.0 GHz
5. INSULATION RESISTANCE: ≥ 1000 MΩ
6. SIGNAL CONTACT RESISTANCE: ≤ 10 mΩ

MECHANICAL CHARACTERISTIC:
1. MATING CYCLES: ≥ 25 MATING CYCLES:
2. ENGAGEMENT FORCE: ≤ 30N
3. DISENGAGEMENT FORCE: ≥ 5N
4. RETENTION FORCE LATCH: ≥ 110 N
5. CODING EFFICIENCY: ≥ 80N

ENVIRONMENT:
1. TEMPERATURE RANGE: -40°C TO +105°C

PACKING:
1. TAPE REEL



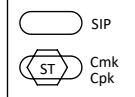
X=CODING(SEE PAGE 3/3)

5430104008X	N/A	REVERSE	倒角	PA6T(HF)
5430104007X	N/A	STANDARD	倒角	PA6T(HF)
5430104006X	N/A	REVERSE	圓角	PA6T(HF)
5430104005X	N/A	STANDARD	圓角	PA6T(HF)
5430104004X	N/A	REVERSE	倒角	PA9T
5430104003X	N/A	STANDARD	倒角	PA9T
5430104002X	410AF04N6TS142CX	REVERSE	圓角	PA9T
5430104001X	410AF04N6TS141CX	STANDARD	圓角	PA9T
NEW P/N	OLD P/N	TYPE	SHELL	INSULATOR

UNLESS OTHERWISE SPECIFIED TOLERANCE
ANG. ±5°
0. ±0.50
.0 ±0.30
.00 ±0.20

SCALE: AS SHOWN UNIT: mm

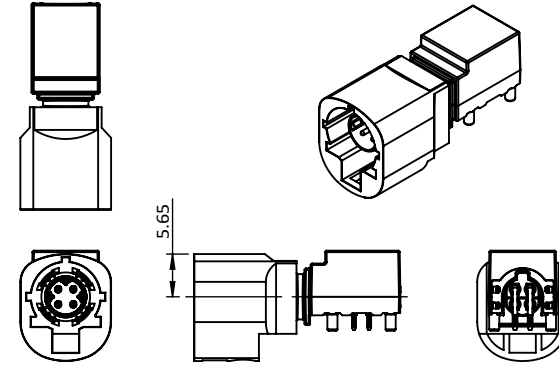
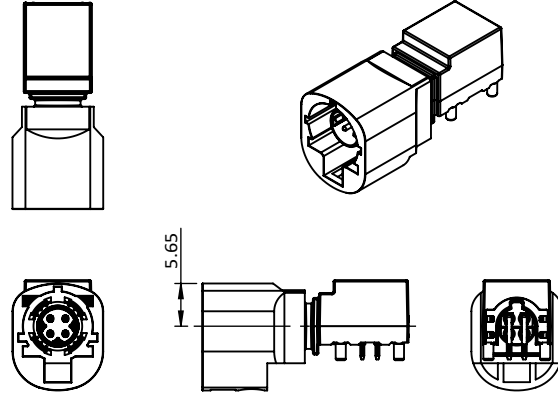
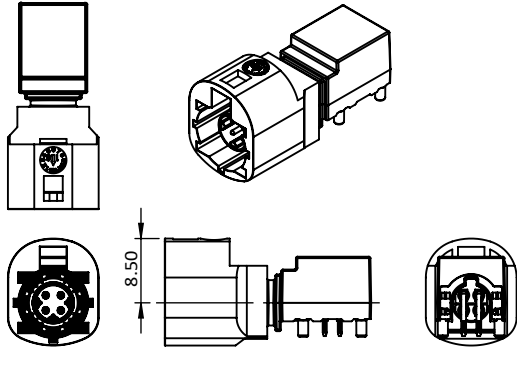
DRAWN: CHRIS_HUANG 09 Mar 2026
CHECKED: JERRY_CHOU 12 Mar 2026
APPROVED: JERRY_CHOU 12 Mar 2026



ZONE	REVISION	DESCRIPTION	DATE	SIZE A4	SHEET 1/3	REV. J	CODE: GC	CUSTOMER:
D4	J	ECN-2603034(CHRIS)MODIFY TOLERANCE	09MAR2026					
C6	I	ECN-2508005(ADA)ADD NEW P/N FOR HF	01AUG2025					
C6, F8	H	ECN-2506017(GEORGE)新增TYPE	04JUN2025					
TITLE:		HSD R/A Plug (Shell Height=8.55mm)		PART NO. 5430104XXXX		C		



HF
compliant



STANDARD

STANDARD

REVERSE

5430104001X
A, B, C, D, E, F, Z

5430104001X
G, H, J, K, L, M, O

5430104002X
A, B, C, D, Z

UNLESS OTHERWISE SPECIFIED TOLERANCE		SIP Crnk Cpk		 CHANT SINCERE CO.,LTD				
ANG.	±5°	SCALE:	AS SHOWN			UNIT:	mm	
0.	±0.50	DRAWN:	CHRIS_HUANG	09 Mar 2026	TITLE: HSD R/A Plug (Shell Height=8.55mm)			
.0	±0.30	CHECKED:	JERRY_CHOU	12 Mar 2026				
.00	±0.20	APPROVED:	JERRY_CHOU	12 Mar 2026				
Revision		Description		Date		PART NO.	5430104XXXX	C
						CODE:	GC	CUSTOMER:

1	2	3	4	5	6	7	8	9	10																																														
<div style="display: flex; justify-content: space-between;"> <div style="width: 10%;"> <p>HF compliant</p> </div> <div style="width: 80%; text-align: center;"> </div> <div style="width: 10%; text-align: right;"> </div> </div>																																																							
STANDARD			STANDARD			REVERSE																																																	
5430104001X A, B, C, D, E, F, Z			5430104001X G, H, J, K, L, M, O			5430104002X A, B, C, D, Z																																																	
<table border="1" style="width: 100%; border-collapse: collapse;"> <tr> <td colspan="2">UNLESS OTHERWISE SPECIFIED TOLERANCE</td> <td colspan="2"> SIP Crnk Cpk </td> <td colspan="2" rowspan="2"> CHANT SINCERE CO.,LTD </td> </tr> <tr> <td>ANG.</td> <td>±5°</td> <td>SCALE:</td> <td>AS SHOWN</td> <td>UNIT:</td> <td>mm</td> </tr> <tr> <td>0.</td> <td>±0.50</td> <td>DRAWN:</td> <td>CHRIS_HUANG</td> <td>09 Mar 2026</td> <td rowspan="3"> TITLE: HSD R/A Plug (Shell Height=8.55mm) </td> </tr> <tr> <td>.0</td> <td>±0.30</td> <td>CHECKED:</td> <td>JERRY_CHOU</td> <td>12 Mar 2026</td> </tr> <tr> <td>.00</td> <td>±0.20</td> <td>APPROVED:</td> <td>JERRY_CHOU</td> <td>12 Mar 2026</td> </tr> <tr> <td colspan="2">Revision</td> <td colspan="2">Description</td> <td colspan="2">Date</td> <td>PART NO.</td> <td>5430104XXXX</td> <td>C</td> </tr> <tr> <td colspan="2"></td> <td colspan="2"></td> <td colspan="2"></td> <td>CODE:</td> <td>GC</td> <td>CUSTOMER:</td> </tr> </table>										UNLESS OTHERWISE SPECIFIED TOLERANCE		SIP Crnk Cpk		 CHANT SINCERE CO.,LTD		ANG.	±5°	SCALE:	AS SHOWN	UNIT:	mm	0.	±0.50	DRAWN:	CHRIS_HUANG	09 Mar 2026	TITLE: HSD R/A Plug (Shell Height=8.55mm)	.0	±0.30	CHECKED:	JERRY_CHOU	12 Mar 2026	.00	±0.20	APPROVED:	JERRY_CHOU	12 Mar 2026	Revision		Description		Date		PART NO.	5430104XXXX	C							CODE:	GC	CUSTOMER:
UNLESS OTHERWISE SPECIFIED TOLERANCE		SIP Crnk Cpk		 CHANT SINCERE CO.,LTD																																																			
ANG.	±5°	SCALE:	AS SHOWN			UNIT:	mm																																																
0.	±0.50	DRAWN:	CHRIS_HUANG	09 Mar 2026	TITLE: HSD R/A Plug (Shell Height=8.55mm)																																																		
.0	±0.30	CHECKED:	JERRY_CHOU	12 Mar 2026																																																			
.00	±0.20	APPROVED:	JERRY_CHOU	12 Mar 2026																																																			
Revision		Description		Date		PART NO.	5430104XXXX	C																																															
						CODE:	GC	CUSTOMER:																																															
1	2	3	4	5	6	7	8	9	10																																														

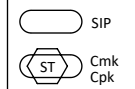
HF
compliant



CODINGS 1 : 1

CODING	A	B	C	D	E	F	Z
PLUG							
COLOR	BLACK	WHITE	BLUE	BORDEAUX	GREEN	BROWN	WATER BLUE
RAL	SIM.9005	SIM.9001	SIM.5005	SIM.4004	SIM.6002	SIM.8011	SIM.5021
CODING	G	H	J	K	L	M	O
PLUG							
COLOR	BLUE GREY	HEATHER VIOLET	BEIGE	CURRY	YELLOW GREEN	PASTEL ORANGE	LIGHT GREEN
RAL	SIM.7031	SIM.4003	SIM.1001	SIM.1027	SIM.6018	SIM.2003	SIM.6027
CODING	A REVERSE	B REVERSE	C REVERSE	D REVERSE	Z REVERSE		
PLUG							
COLOR	BLACK	WHITE	BLUE	BORDEAUX	WATER BLUE		
RAL	SIM.9005	SIM.9001	SIM.5005	SIM.4004	SIM.5021		

UNLESS OTHERWISE SPECIFIED TOLERANCE	
ANG.	±5°
0.	±0.50
.0	±0.30
.00	±0.20



SCALE:	AS SHOWN	UNIT:	mm
DRAWN:	CHRIS_HUANG	09 Mar 2026	TITLE: HSD R/A Plug (Shell Height=8.55mm)
CHECKED:	JERRY_CHOU	12 Mar 2026	
APPROVED:	JERRY_CHOU	12 Mar 2026	
	SIZE A4	SHEET 3/3	REV. J

PART NO.	5430104XXXX	C
CODE:	GC	CUSTOMER:

ZONE	REVISION	DESCRIPTION	DATE
J	ECN-2603034(CHRIS)SEE PAGE 1/3		09MAR2026
I	ECN-2508005(ADA)SEE PAGE 1/3		01AUG2025
H	ECN-2506017(GEORGE)SEE PAGE1		04JUN2025