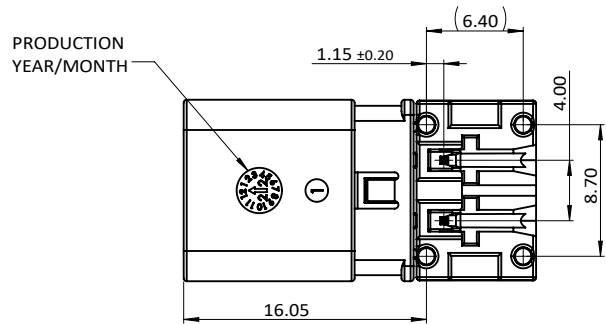
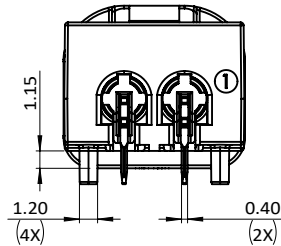
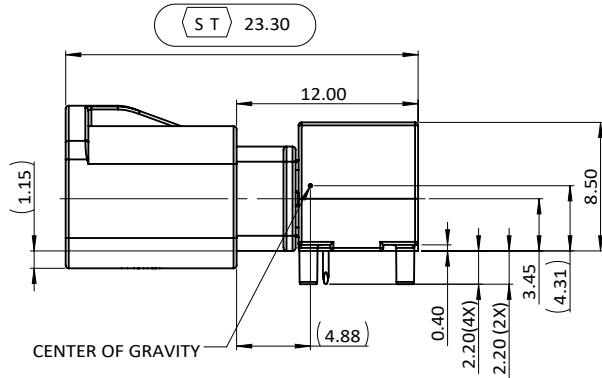
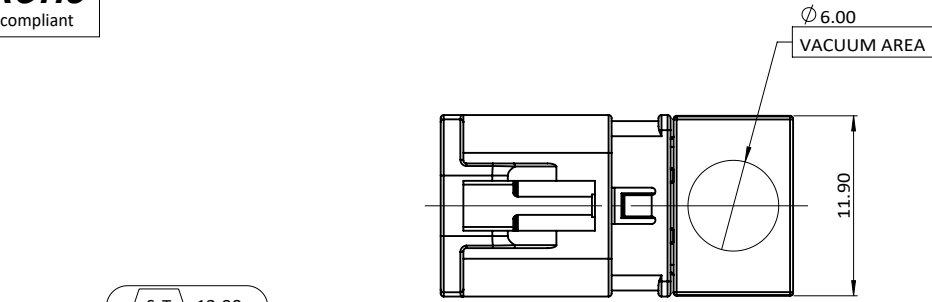


RoHS
compliant



SPECIFICATION

MATERIAL AND FINISH:

1. CODING HOUSING: PA, COLOR SEE PAGE 3
2. INNER HOUSING: LCP, COLOR BLACK
3. CONTACT: BRASS
PLATING AREA: 80~160u" Ag OVER 40~160u" Ni
SOLDER TAIL AREA: 80~160u" Sn (MATTE) OVER 40~160u" Ni
4. OUTER CONTACT (INTERFACE): STAINLESS STEEL
PLATING AREA: 40~120u" Sn (MATTE) OVER 40~120u" Ni
5. OUTER CONTACT(PCB): ZAMAK
PLATING AREA: 160~280u" Sn (MATTE) OVER 120~200u" Ni
OVER 600~800u" Cu
6. MEDAL PLATE: STAINLESS STEEL

ELECTRICAL CHARACTERISTIC:

1. CHARACTERISTIC IMPEDANCE: 50 Ω
2. FREQUENCY RANGE: DC TO 9.0 GHz
3. INSULATION RESISTANCE: ≥1000 MΩ MIN.
4. WITHSTANDING VOLTAGE: AC 800Vrms MIN. 60s
5. VOLTAGE RATING: AC 335Vrms
6. CURRENT RATING: 1.0 A MAX.
7. CENTER CONTACT RESISTANCE: ≤15 mΩ
8. OUTER CONTACT RESISTANCE: ≤7.5 mΩ

MECHANICAL CHARACTERISTIC:

1. DURABILITY: ≥25 CYCLES
2. ENGAGEMENT FORCE: ≤75 N
3. RETENTION FORCE LATCH: ≥110 N
4. MISMATING ORIENTATION EFFECTIVENESS: ≥130 N

ENVIRONMENT:

1. OPERATING TEMPERATURE RANGE: -40°C TO +105°C

PACKING STYLE:

1. TAPE REEL

NOTE:

ALL MATERIALS MUST BE USCAR-2, USCAR-17 AND EIA-364 COMPLIANT;
SUPPORTING DOCUMENTATION MUST BE MADE AVAILABLE ON REQUEST



4	5422603004X	410AF02NFTB213CX	6 O'CLOCK	W/O METAL PLATE
3	5422603003X	410AF02NFTB211CX	12 O'CLOCK	W/O METAL PLATE
2	5422603002X	410AF02NFTB2T3CX	6 O'CLOCK	W/METAL PLATE
1	5422603001X	410AF02NFTB2T1CX	12 O'CLOCK	W/METAL PLATE

ITEM	NEW P/N	OLD P/N	COUPLING NOSE DIRECTION	NOTE
UNLESS OTHERWISE SPECIFIED TOLERANCE		SIP Crmk Cpk		
ANG. +5°				
0. +0.50				
.0 +0.30				
.00 ±0.20				
SCALE:	2:1	UNIT:	mm	



C8	B	ECN-2504138(XINGRU_LAI)MODIFY P/N	24APR2025	TITLE:PDR-22074 Mini FAKRA BM PLUG-1x2
	A	ECN-2503040(JERRY)X5 CHANGE TO A	11MAR2025	PART NO. 542260300XX
ZONE	REVISION	DESCRIPTION	DATE	REV. B
1	2	3	4	5

	SIZE A4	SHEET 1/3	REV. B	CODE: GC	CUSTOMER:
--	---------	-----------	--------	----------	-----------

RoHS
compliant



PART NUMBER

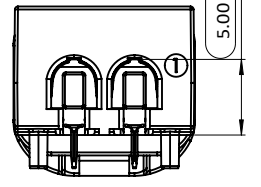
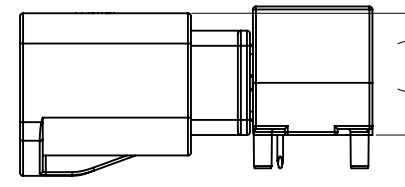
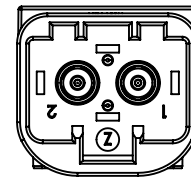
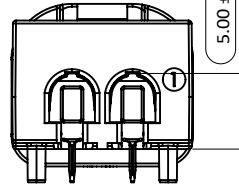
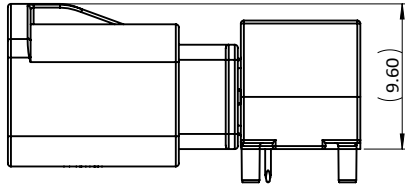
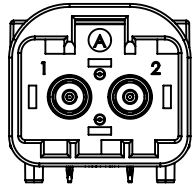
5422603001X

5422603002X

STANDARD ORIENTATION

180° ORIENTATION

DIRECTION



PART NUMBER

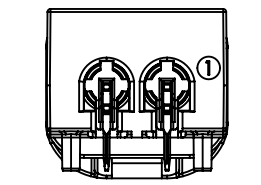
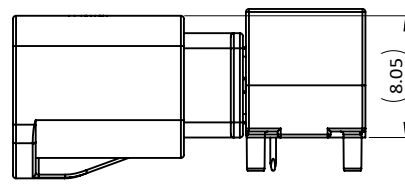
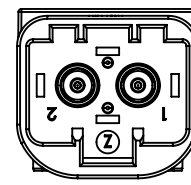
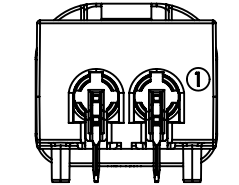
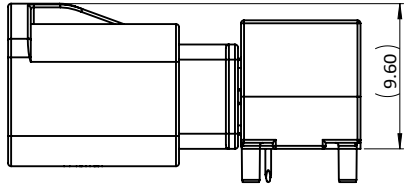
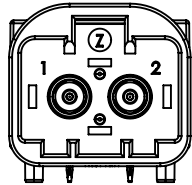
5422603003X

5422603004X

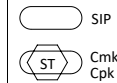
STANDARD ORIENTATION

180° ORIENTATION

DIRECTION



UNLESS OTHERWISE SPECIFIED TOLERANCE
ANG. +5°
0. +0.50
.0 +0.30
.00 +0.20



SCALE: 2:1 UNIT: mm



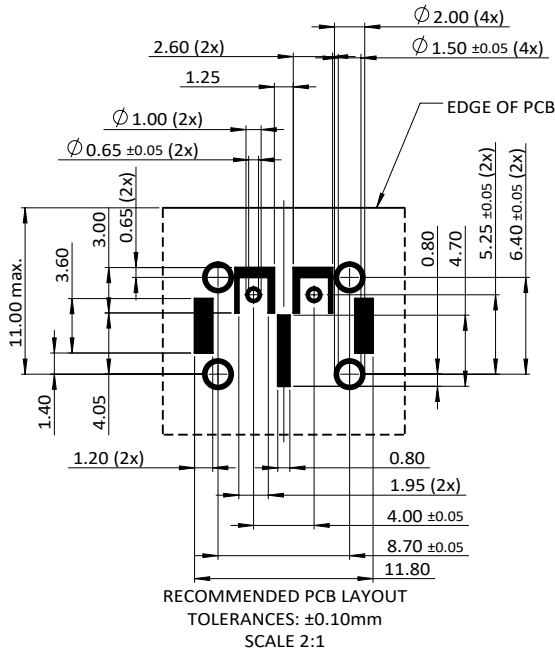
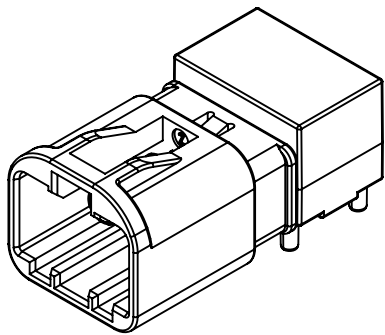
DRAWN: XINGRU_LAI 14 May 2025
CHECKED: PEARL_HUNG 14 May 2025
APPROVED: PEARL_HUNG 14 May 2025

TITLE: PDR-22074
Mini FAKRA BM PLUG-1x2
PART NO. 542260300XX

CODE: GC CUSTOMER:

ZONE	REVISION	DESCRIPTION	DATE
1	B	ECN-2504138(XINGRU_LAI)SEE PAGE 1/3	24APR2025
2	A	ECN-2503040(JERRY)X5 CHANGE TO A	11MAR2025

A	B	C	D	E	F	Z
JET BLACK SIMILAR RAL 9005	PURE WHITE SIMILAR RAL 9010	LIGHT BLUE SIMILAR RAL 5012	CLARET VIOLET SIMILAR RAL 4004	MAY GREEN SIMILAR RAL 6017	NUT BROWN SIMILAR RAL 8011	WATER BLUE SIMILAR RAL 5021



THE STATED DIMENSIONS ARE ONLY RECOMMENDATIONS. A WIDE VARIETY OF TRANSMISSIONLINE TOPOLOGIES AND PCB-PARAMETERS LIKE PERMITTIVITY, SUBSTRATE THICKNESS, AND BOARD-STACKUP ARE APPLIED BY CUSTOMERS. THESE PARAMETERS HAVE A STRONG IMPACT ON THE HIGH FREQUENCY PERFORMANCE OF THE MOUNTED CONNECTOR. PLEASE NOTE, THAT THE GIVEN LAYOUT IS NOT OPTIMISED TO FIT ALL OF THE POSSIBLE BOARD CONFIGURATIONS REGARDING RF-PERFORMANCE, IT REPRESENTS A RECOMMENDATION FOR OPTIMAL SOLDERABILITY OF THE CONNECTOR. IN ORDER TO GUARANTEE OPTIMAL HIGH FREQUENCY PROPERTIES OF THE CONNECTOR, AN RF-ANALYSIS OF THE CONNECTOR TO BOARD TRANSITION IS RECOMMENDED.

UNLESS OTHERWISE SPECIFIED TOLERANCE ANG. +5° 0. +0.50 .0 +0.30 .00 +0.20	SIP Crnk Cpk	 CHANT SINCERE CO.,LTD
SCALE: 2:1	UNIT: mm	
DRAWN: XINGRU_LAI	14 May 2025	TITLE:PDR-22074 Mini FAKRA BM PLUG-1x2
CHECKED: PEARL_HUNG	14 May 2025	PART NO. 542260300XX
APPROVED: PEARL_HUNG	14 May 2025	CODE: GC
SIZE A4	SHEET 3/3	REV. B
		CUSTOMER:

ZONE	REVISION	DESCRIPTION	DATE
1	2	ECN-2504138(XINGRU_LAI)SEE PAGE 1/3	24APR2025
1	A	ECN-2503040(JERRY)X5 CHANGE TO A	11MAR2025