

RoHS
compliant



SPECIFICATION

MATERIAL AND FINISH:

1. CODING HOUSING: PA, COLOR SEE PAGE 3/3

2. CONTACT: COPPER ALLOY

PLATING CONTACT AREA: 6u" AU OVER 80~160u" NI

SOLDER TAIL AREA: 80~160u" SN (MATTE) OVER 40~160u" NI

3. CONTACT CYLINDER: COPPER ALLOY

PLATING AREA: 40~120u" SN(MATTE) OVER 40~120u" NI

4. OUTER CONTACT(PCB): ZAMAK

PLATING AREA: 120~240u" SN(MATTE) OVER 120~240u" NI
OVER 600~800u" CU

5. INNER HOUSING: HIGT TEMPERATURE PLASTIC, BLACK

ELECTRICAL CHARACTERISTIC:

1. CHARACTERISTIC IMPEDANCE: 50 Ω

2. FREQUENCY RANGE: DC TO 9.0 GHz

3. INSULATOR RESISTANCE: ≥1000 MΩ MIN.

4. WITHSTANDING VOLTAGE: AC 800Vrms MIN. 60s

5. VOLTAGE RATING: AC 335Vrms

6. CURRENT RATING: 1.0 A MAX.

7. CENTER CONTACT RESISTANCE: ≤10 mΩ

△ B 8. OUTER CONTACT RESISTANCE: ≤5 mΩ

MECHANICAL CHARACTERISTIC:

1. DURABILITY: ≥25 CYCLES

2. ENGAGEMENT FORCE: ≤15 N

3. RETENTION FORCE LATCH: ≥110 N

4. MISMATING ORIENTATION EFFECTIVENESS: ≥150 N △ B

ENVIRONMENT:

1. OPERATING TEMPERATURE RANGE: -40°C TO +105°C

PACKING:

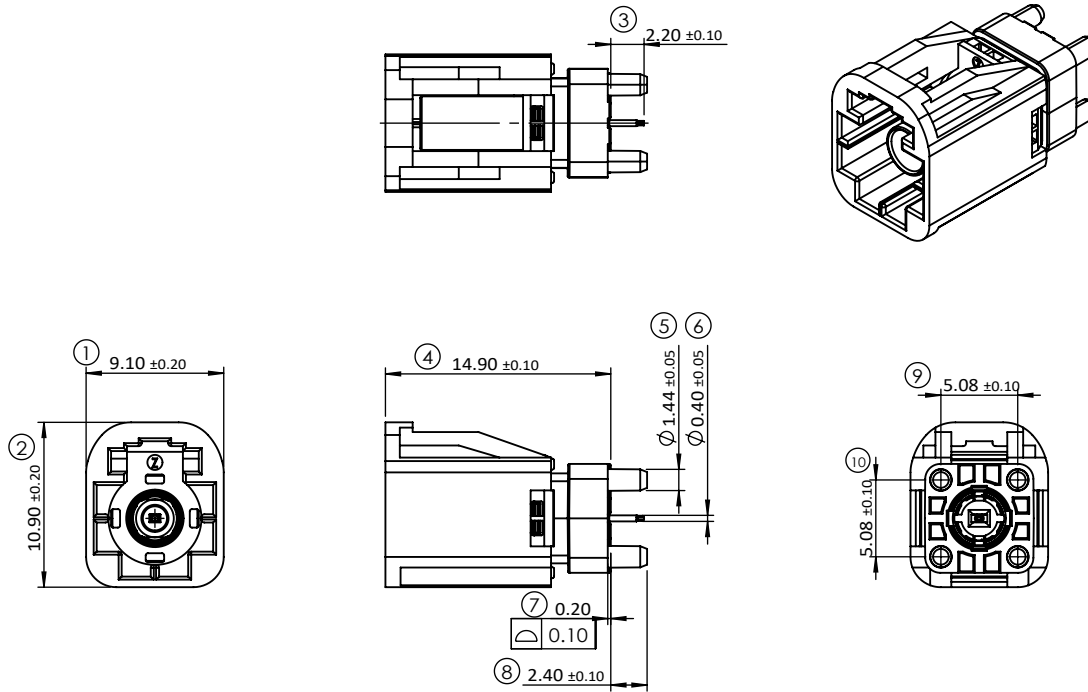
1. TAPE REEL

△ C **NOTE:**

1. WEIGHT: 2.41g

2. ALL MATERIALS MUST BE USCAR-2, USCAR-17 ;

SUPPORTING DOCUMENTATION MUST BE MADE AVAILABLE ON REQUEST

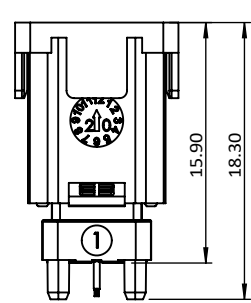
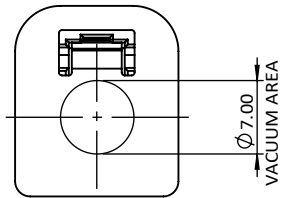


X=CODING, SEE PAGE 3/3

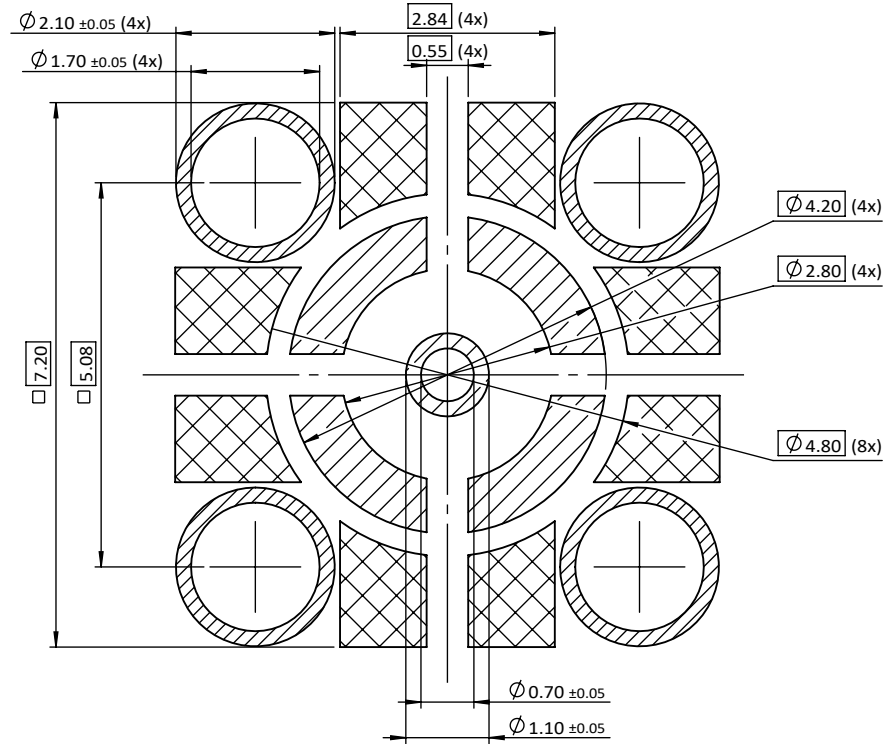
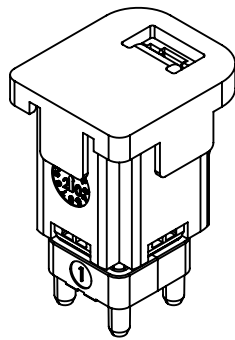
1	5420203001X	410AF01C6TB811CX	NOTE	
ITEM	NEW P/N	OLD P/N		
UNLESS OTHERWISE SPECIFIED TOLERANCE		SIP Cmk Cpk		 CHANT SINCERE CO.,LTD
ANG. ±5°				
0. ±0.50				
.0 ±0.30				
.00 ±0.20				
SCALE:	2:1	UNIT:	mm	
DRAWN:	HOLLY_TU	15 Sep 2025	TITLE: PDR-23004	
CHECKED:	JERRY_CHOU	16 Sep 2025	Mini FAKRA AM Plug-1x1-Vertical	
APPROVED:	JERRY_CHOU	23 Sep 2025	PART NO.	5420203001X
ZONE	REVISION	DESCRIPTION	DATE	SIZE A4 SHEET 1/3 REV. C CODE: GC CUSTOMER:

C7	C	ECN-2509061(LITING)ADD WEIGHT	15SEP2025
D9, E7	B	ECN-2507019(CHRIS_HUANG)MODIFY CONTACT RESISTANCE	04JUL2025
	A	ECN-2407076(JERRY)X4 CHANGE TO A	26JUL2024
1	2	3	4

RoHS
compliant



WITH CAP



The stated dimensions are only recommendations.
A wide variety of transmissionline topologies and pcb-parameters like permittivity, substrate thickness, and board-stackup are applied by customers. These parameters have a strong impact on the high frequency performance of the mounted connector.
Please note, that the given layout is not optimised to fit all of the possible board configurations regarding RF-performance, it represents a recommendation for optimal solderability of the connector.
In order to guarantee optimal high frequency properties of the connector, an RF-analysis of the connector to board transition is recommended.

SCALE 10:1
RECOMMENDED PCB LAYOUT
TOLERANCES ±0.05mm

- SOLDER AREA 9x
- STAND OFF AREA, FREE OF SOLDER 8x

UNLESS OTHERWISE SPECIFIED TOLERANCE	ANG.	±5°
	0.	±0.50
	.0	±0.30
	.00	±0.20
SCALE:	2:1	UNIT: mm



	C	ECN-2509061(LITING)SEE PAGE 1/3	15SEP2025	DRAWN: HOLLY_TU	15 Sep 2025	TITLE: PDR-23004 Mini FAKRA AM Plug-1x1-Vertical	
	B	ECN-2507019(CHRIS_HUANG)SEE PAGE 1/3	04JUL2025	CHECKED: JERRY_CHOU	16 Sep 2025	PART NO. 5420203001X	
	A	ECN-2407076(JERRY)X4 CHANGE TO A	26JUL2024	APPROVED: JERRY_CHOU	23 Sep 2025	CODE: GC	CUSTOMER:
ZONE	REVISION	DESCRIPTION	DATE		SIZE A4	SHEET 2/3	REV. C
1	2	3	4	5	6	7	8

