

RoHS
compliant

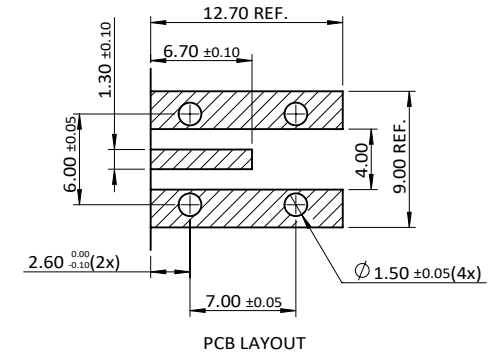
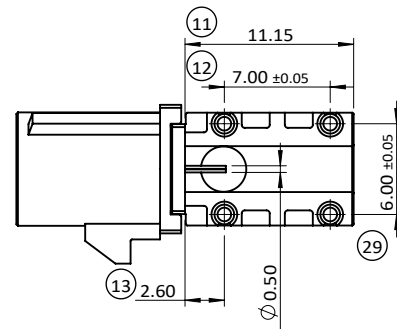
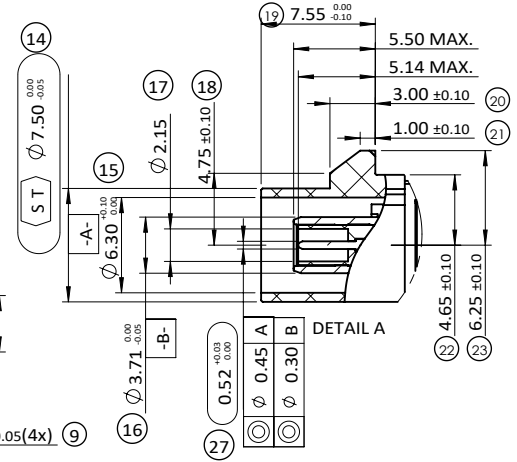
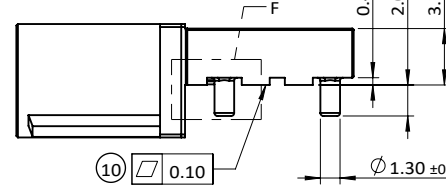
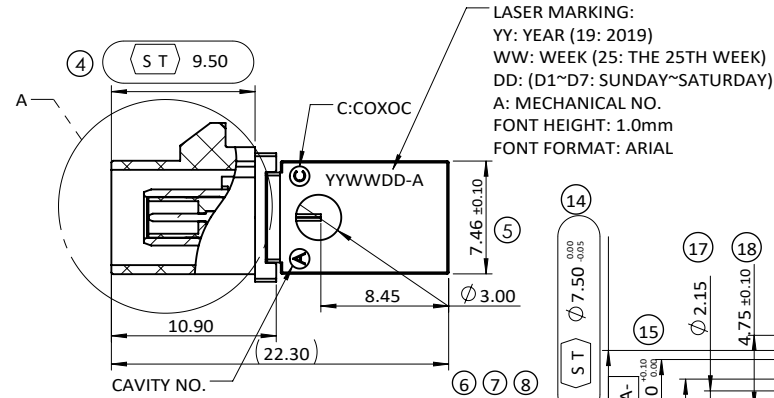
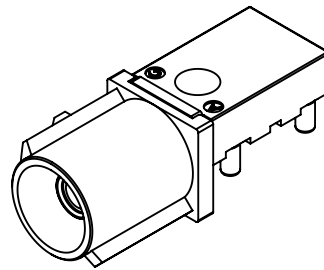
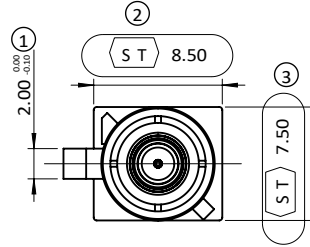
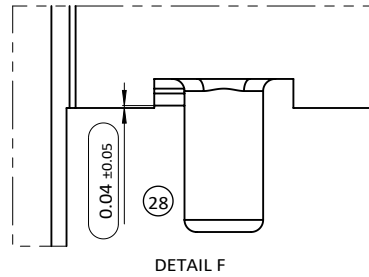


SPECIFICATION
MATERIALS AND FINISH:
 1. CODING HOUSING: PA9T GN2330, GRAY
 2. INNER HOUSING: THERMOPLASTIC, WHITE
 3. CONTACT: COPPER ALLOY
 PLATING CONTACT AREA: 0.15μm AU OVER 2 ~ 4μm NI
 SOLDER AREA: 0.15μm AU OVER 2 ~ 4μm NI
 4. OUTER CONTACT: ZINC ALLOY
 PLATING CONTACT: 3 ~ 6μm SN(MATTE) OVER
 2 ~ 6μm NI OVER 8 ~ 20μm CU

ELECTRICAL:
 1. IMPEDANCE: 50 Ω
 2. FREQUENCY RANGE: DC TO 6.0 GHz
 3. WORKING VOLTAGE: 335 Vrms MAX.

MECHANICAL:
 1. DURABILITY: ≥ 25 CYCLES
 2. USCAR-17 COMPLIANT
 3. REFLOW SOLDER CAPABLE TO 260°C/10s

ENVIRONMENT:
 1. OPERATING TEMPERATURE RANGE: -40°C TO +105°C

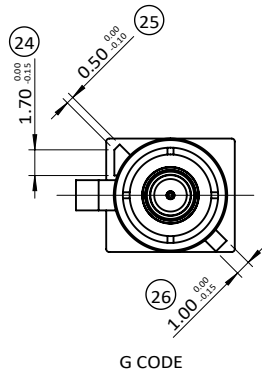


UNLESS OTHERWISE SPECIFIED TOLERANCE		SIP		 CHANT SINCERE CO.,LTD	
ANG.	+5°	Cmk Cpk			
0.	+0.50	SCALE:	2:1	UNIT:	mm
.0	+0.30	DRAWN:	CANDY_CHEN	27 May 2025	TITLE: PDR-23055
.00	+0.15	CHECKED:	JERRY_CHOU	05 Feb 2026	FAKRA PLUG - CH 0.28mm
		APPROVED:	JERRY_CHOU	05 Feb 2026	PART NO. 5410401001G
ZONE	REVISION	DESCRIPTION	DATE	REV.	CODE: GB CUSTOMER: FIH

1	2	3	4	5	6	7	8	9	10
A									
B									
C									
D									
E									
F									
G									

*=DEVELOPING

*A	*B	*C	*D	*E	*F	G
JET BLACK SIMILAR RAL 9005	CREAM WHITE SIMILAR RAL 9001	SIGNAL BLUE SIMILAR RAL 5005	CLARET VIOLET SIMILAR RAL 4004	LEAF GREEN SIMILAR RAL 6002	NUT BROWN SIMILAR RAL 8011	BLUE GREY SIMILAR RAL 7031
*H	*I	*K	*L	*M	*N	*Z
HEATHER VIOLET SIMILAR RAL4003	BEIGE SIMILAR RAL 1001	CURRY SIMILAR RAL 1027	CARMINE RED SIMILAR RAL 3002	PASTEL ORANGE SIMILAR RAL 2003	PASTEL GREEN SIMILAR RAL 6019	WATER BLUE SIMILAR RAL 5021



UNLESS OTHERWISE SPECIFIED TOLERANCE ANG. +5° 0. +0.50 .0 +0.30 .00 ±0.15	SIP Cmk Cpk	 CHANT SINCERE CO.,LTD
SCALE: 2:1	UNIT: mm	
DRAWN: CANDY_CHEN	27 May 2025	TITLE: PDR-23055
CHECKED: JERRY_CHOU	05 Feb 2026	FAKRA PLUG - CH 0.28mm
APPROVED: JERRY_CHOU	05 Feb 2026	PART NO. 5410401001G
	SIZE A4	CODE: GB
	SHEET 2/2	CUSTOMER: FIH
REV. A		

ZONE	REVISION	DESCRIPTION	DATE
1	2	3	4
	A	ECN-2601071(JOE)X12 CHANGE TO A	23JAN2026