

RoHS  
compliant



**SPECIFICATION**

**MATERIALS AND FINISH:**

1. CODING HOUSING: PA, COLOR SEE DETAIL
2. INNER HOUSING: THERMOPLASTIC, COLOR BLACK
3. CONTACT: COPPER ALLOY  
PLATING CONTACT AREA: 6u" SELECTIVE GOLD OVER 50u"~150u" NICKEL  
SOLDER TAILS AREA: 50u"~150u" (MATTE) OVER 50u"~150u" NICKEL

- △ C 4. OUTER CONTACT : ZINC ALLOY  
PLATING : 160u"~280u" Sn (MATTE) OVER  
80~200u" Ni OVER  
600~800u" Cu

**ELECTRICAL:**

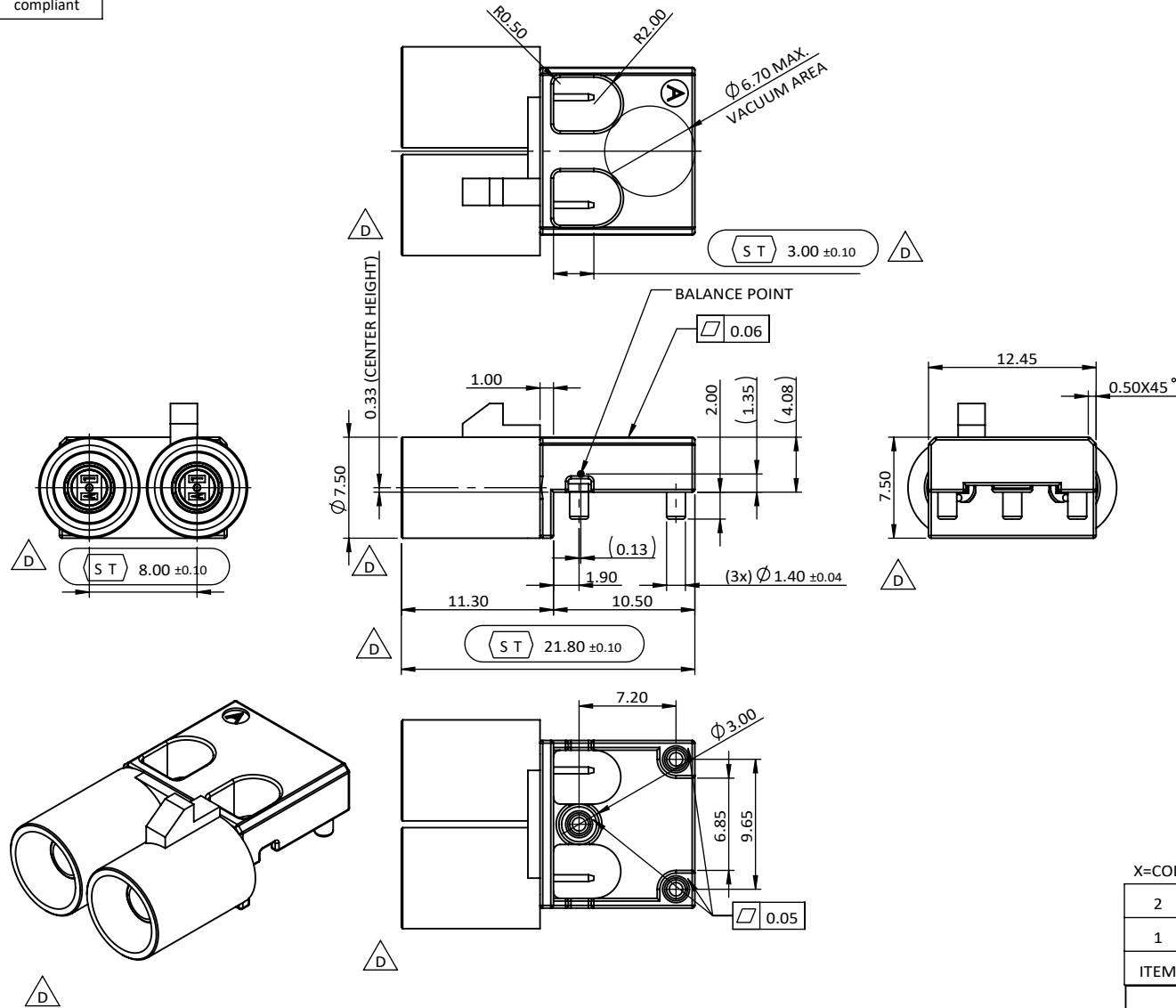
- △ E 1. IMPEDANCE: 50 Ω  
2. FREQUENCY RANGE: DC TO 6.0 GHz  
3. INSULATION RESISTANCE: 1000 MΩ MIN.  
4. WITHSTANDING VOLTAGE: AC 800 Vrms MIN. 60 Hz  
5. VOLTAGE RATING: AC 335 Vrms  
6. CURRENT RATING: 1.0 A MAX.  
7. CONTACT RESISTANCE: 10 mΩ MAX. (INITIAL), 40 mΩ MAX. (AFTER)

**MECHANICAL:**

1. DURABILITY: 25 CYCLES
2. OPERATION TEMPERATURE RANGE: -40 °C TO +105 °C
3. USCAR-2 & USCAR-17 COMPLAINT

**NOTE:**

1. \*=UNOPENED MOLD



X=CODING(SEE PAGE 3/3)

2	5410302002X	410DF02C6TA8T3CX	DOWN
1	5410302001X	410DF02C6TA8T2CX	UP
ITEM	NEW P/N.	OLD P/N.	CORPLING NOSE DIRECTION

UNLESS OTHERWISE SPECIFIED TOLERANCE  
ANG. ±2°  
0. ±0.20  
.0 ±0.12  
.00 ±0.05



SCALE: 2:1 UNIT: mm

F7	E	ECN-2508030(LITING)MODIFY FREQUENCY RANGE	07AUG2025	DRAWN: KEVIN_ZHENG	16 05 2023	TITLE:
B1, B3, D1, D3, D5, F2, F5	D	ECN-2502013(KEVIN)修改CODING外觀 & 增加管控尺寸	06FEB2025	CHECKED: JERRY_CHOU	07 Aug 2025	FAKRA TWIN RA PLUG (CENTER HEIGHT=0.33mm)
F7	C	ECN-2306066(JERRY)NEW DRAWN	31AUG2023	APPROVED: MARK_YEN	22 Aug 2025	PART NO. 541030XXXX
ZONE	REVISION	DESCRIPTION	DATE	SIZE A4	SHEET 1/3	REV. C
1	2	3	4	5	6	7

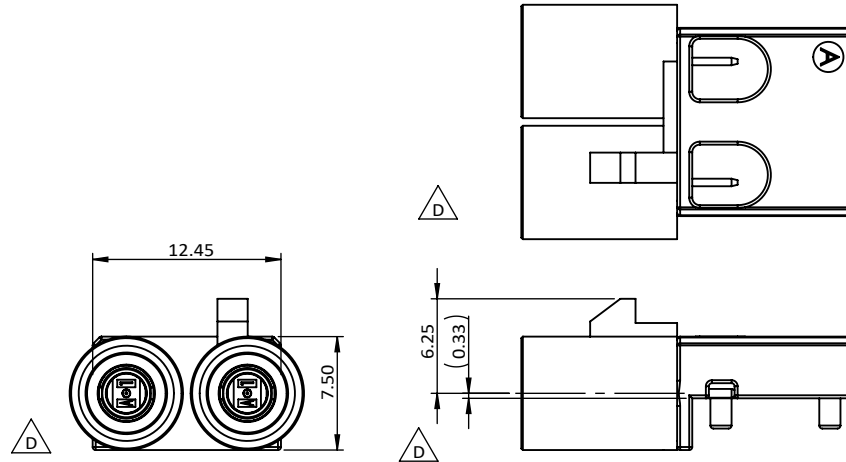
CODE: CUSTOMER:

RoHS  
compliant



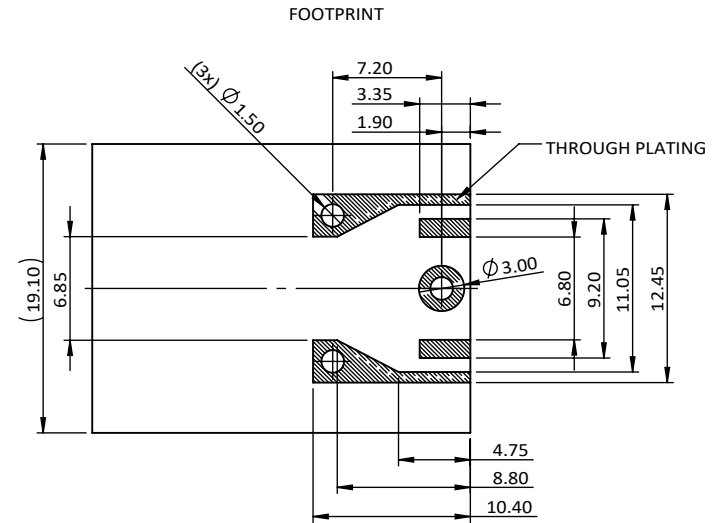
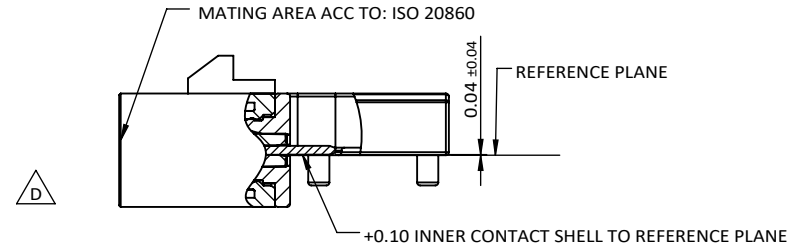
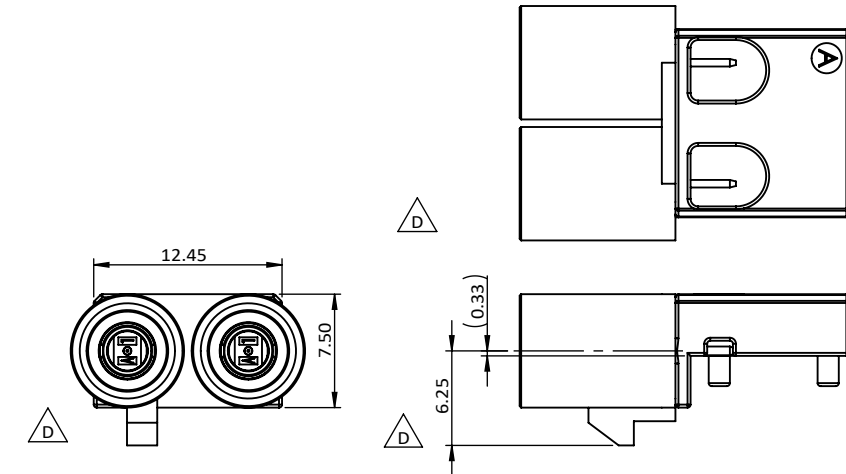
CODING NOSE UP (0°)

5410302001X



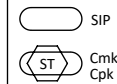
CODING NOSE DOWN (180°)

5410302002X



RECOMMENDED PCB LAYOUT  
TOLERANCE : ±0.05mm

UNLESS OTHERWISE SPECIFIED TOLERANCE	
ANG.	±2°
0.	±0.20
.0	±0.12
.00	±0.05



CHANT SINCERE CO.,LTD

SCALE:	2:1	UNIT:	mm
DRAWN:	KEVIN_ZHEN	16 05 2023	
CHECKED:	JERRY_CHOU	07 Aug 2025	
APPROVED:	MARK_YEN	22 Aug 2025	
SIZE	A4	SHEET	2/3
REV.	C		

TITLE:	FAKRA TWIN RA PLUG (CENTER HEIGHT=0.33mm)
PART NO.	5410302XXXX
CODE:	
CUSTOMER:	

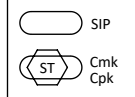
ZONE	REVISION	DESCRIPTION	DATE
	E	ECN-2508030(LITING)SEE PAGE 1/3	07AUG2025
	D	ECN-2502013(KEVIN)修改CODING外觀 & SEE DWG 1/3	06FEB2025
	C	ECN-2306066(JERRY)SEE PAGE 1/3	31AUG2023

**RoHS**  
compliant



	1	2	3	4	5	6	7	8	9	10
G	CODING	A	B	C	D	*E	*F	*G		
	COLOR	BLACK	WHITE	BLUE	BORDEAUX	GREEN	BROWN	GREY		
	RAL NO.	SIM. 9005	SIM. 9001	SIM. 5005	SIM. 4004	SIM. 6002	SIM. 8011	SIM. 7031		
F	PLUG									
E	CODING	H	I	*K	*L	*M	N	*Z		
	PLUG									
D	COLOR	VIOLET	BEIGE	CURRY	CARMINE RED	PASTEL ORANGE	PASTEL GREEN	WATER BLUE		
	RAL NO.	SIM. 4003	SIM. 1001	SIM. 1027	SIM. 3002	SIM. 2003	SIM. 6019	SIM. 5021		

UNLESS OTHERWISE SPECIFIED TOLERANCE	
ANG.	±2°
0.	±0.20
.0	±0.12
.00	±0.05
SCALE:	2:1
UNIT:	mm



	E	ECN-2508030(LITING)SEE PAGE 1/3	07AUG2025	DRAWN: KEVIN_ZHENG	16 05 2023	TITLE:	
	D	ECN-2502013(KEVIN)SEE DWG 1/3 & 2/3	06FEB2025	CHECKED: JERRY_CHOU	07 Aug 2025	FAKRA TWIN RA PLUG (CENTER HEIGHT=0.33mm)	
	C	ECN-2306066(JERRY)SEE PAGE 1/3	31AUG2023	APPROVED: MARK_YEN	22 Aug 2025	PART NO. 5410302XXXX	
ZONE	REVISION	DESCRIPTION	DATE		SIZE A4	SHEET 3/3	REV. C
1	2	3	4	5	6	7	8
							9
							10