

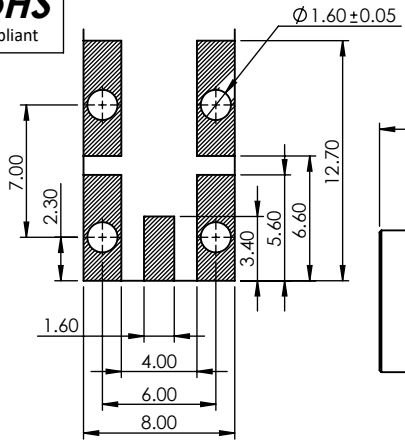
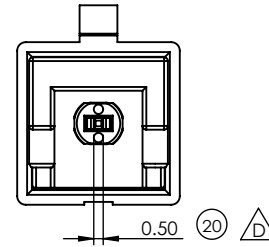
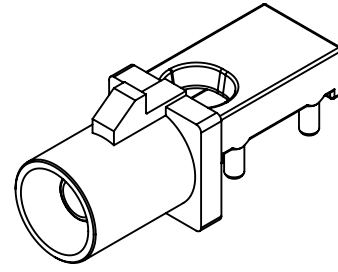
RoHS compliant



SPECIFICATION
MATERIAL
 Insulator: LCP E130i
 Center Contact: C2680-H
 Shell: Zamak3
 Housing: PA4T
PLATING

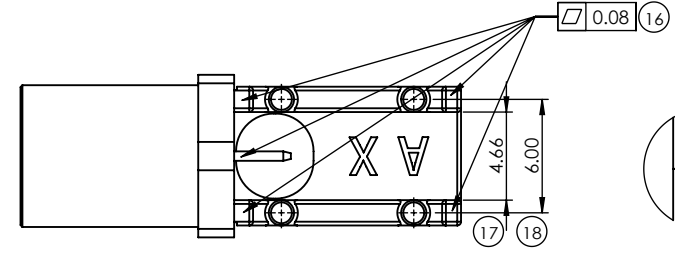
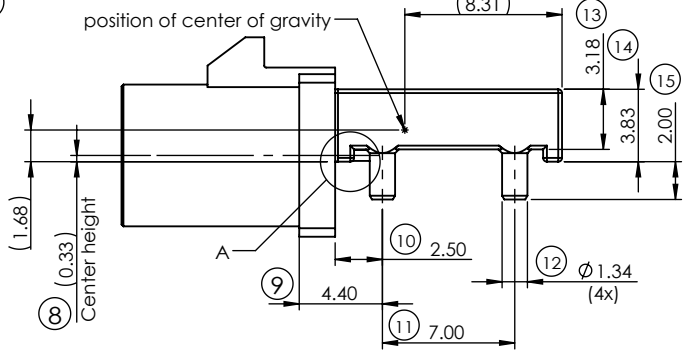
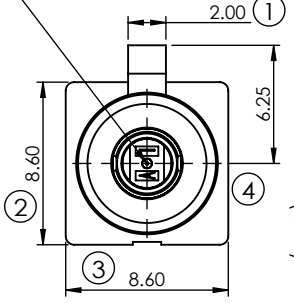
Center Contact: 6u" Au on Contact Area,
 50u"~150u" Sn(MATTE) Tin on Solder Tails,
 SHELL: 160u"~280u" Sn(MATTE) OVER
 120u"~240u" Ni OVER
 520u"~720u" Cu

ELECTRICAL
 Impedance: 50Ω
 Insulation Resistance: 1000MΩ Min, at 100V DC
 Withstanding Voltage: AC 800Vrms Min. 60Hz
 Voltage Rating: AC 335Vrms
 Current Rating: 1.0A Max.
 Contact Resistance: 10mΩ Max. at 20mV Max.
 Operation Temp. Range: -40 degree to +105 degree
 Mating Cycles: 25 insertions
PACKING STYLE: TAPE & REEL



RECOMMENDED P.C.B. LAYOUT
 TOLERANCE : ±0.02mm

Mating area acc to: ISO 20860



細部放大圖 A

X-CODING(SEE PAGE 3/3)

4	5410301004X	410DF01C6TA8T5CX	RIGHT
3	5410301003X	410DF01C6TA8T4CX	LEFT
2	5410301002X	410DF01C6TA8T3CX	DOWN
1	5410301001X	410DF01C6TA8T2CX	UP
ITEM	NEW P/N.	OLD P/N.	Corpling nose direction

UNLESS OTHERWISE SPECIFIED TOLERANCE		SIP
ANG.	±5°	Crnk Cpk
0.	±0.50	
.0	±0.30	
.00	±0.20	
SCALE:	AS SHOWN	UNIT: mm



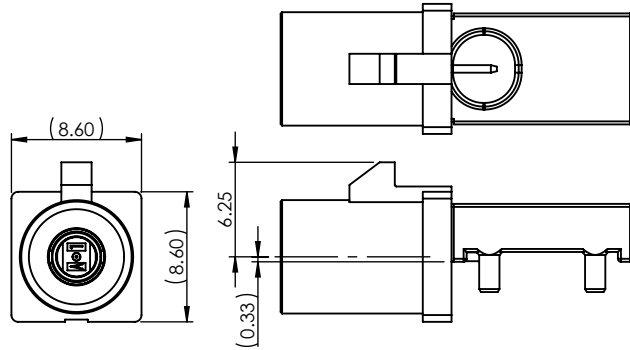
E5, G3	F	ECN-2502014(KEVIN)增加管控尺寸	06FEB2025	DRAWN: KEVIN_ZHENG	07 Feb 2025	TITLE: Fakra Mid Mount R/A Plug for P.C.B.(Center Hight=0.33mm)	
	E	ECN-2402005(QUEENIE)SEE PAGE 3/3	05FEB2024	CHECKED: JERRY_CHOU	07 Feb 2025	PART NO.	5410301XXXX
D7	D	ECN-2310035(ADA)SEE PAGE 1/3	18OCT2023	APPROVED: MARK_YEN	11 Feb 2025	CODE:	GC
Zone	Revision	Description	Date	SIZE A4	SHEET 1/3	REV.	F
1	2	3	4	5	6	7	8
9	10						

RoHS
compliant



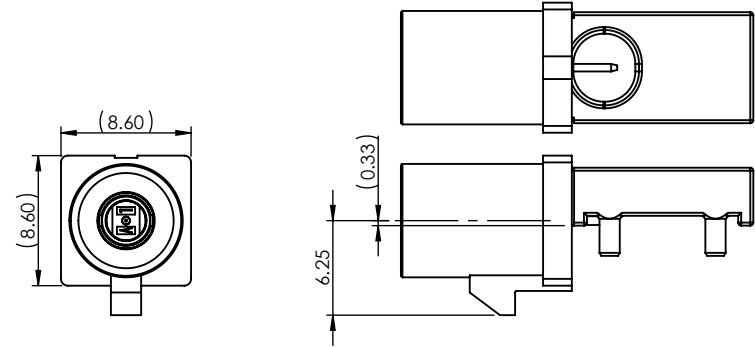
Coding Nose Up (0°)

5410301001X



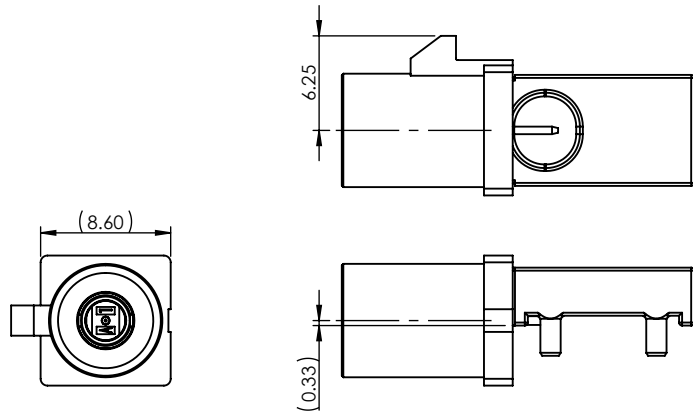
Coding Nose Down (180°)

5410301002X



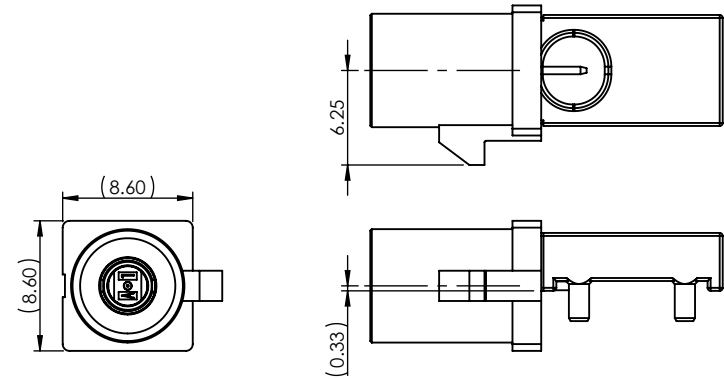
Coding Nose Left (90°)

5410301003X



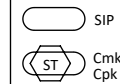
Coding Nose Right (270°)

5410301004X



UNLESS OTHERWISE SPECIFIED TOLERANCE

ANG. ±5°
0. ±0.50
.0 ±0.30
.00 ±0.20



SCALE: AS SHOWN

UNIT: mm



F ECN-2502014(KEVIN)SEE PAGE 1/3

06FEB2025

DRAWN: KEVIN_ZHENG

07 Feb 2025

TITLE: Fakra Mid Mount R/A Plug for P.C.B.(Center High=0.33mm)

E ECN-2402005(QUEENIE)SEE PAGE 3/3

05FEB2024

CHECKED: JERRY_CHOU

07 Feb 2025

PART NO. 5410301XXXX

D ECN-2310035(ADA)SEE PAGE 1/3

18OCT2023

APPROVED: MARK_YEN

11 Feb 2025

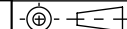
CODE: GC CUSTOMER:

Zone

Revision

Description

Date



SIZE A4

SHEET 2/3

REV. F

1

2

3

4

5

6

7

8

9

10

RoHS
compliant



A	B	C	D	E	F	G
BLACK SIMILAR RAL.9005	WHITE SIMILAR RAL.9001	BLUE SIMILAR RAL.5005	BORDEAUX VIOLET SIMILAR RAL.4004	GREEN SIMILAR RAL.6002	BROWN SIMILAR RAL.8011	GRAY SIMILAR RAL.7031
H	I	K	L	M	N	Z
VIOLET SIMILAR RAL.4003	BEIGE SIMILAR RAL.1001	CURRY SIMILAR RAL.1027	CARMINE RED SIMILAR RAL.3002	PASTEL ORANGE SIMILAR RAL.2003	PASTEL GREEN SIMILAR RAL.6019	WATER BLUE SIMILAR RAL.5021

UNLESS OTHERWISE SPECIFIED TOLERANCE		SIP Crk Cpk		 CHANT SINCERE CO.,LTD		
ANG.	±5°	SCALE:	AS SHOWN		UNIT:	mm
0.	±0.50	DRAWN:	KEVIN_ZHENG	07 Feb 2025	TITLE:	Fakra Mid Mount R/A Plug for P.C.B.(Center Hight=0.33mm)
.0	±0.30	CHECKED:	JERRY_CHOU	07 Feb 2025	PART NO.	5410301XXXX
.00	±0.20	APPROVED:	MARK_YEN	11 Feb 2025	CODE:	GC
		SIZE	A4	SHEET	3/3	CUSTOMER:

F	ECN-2502014(KEVIN)SEE PAGE 1/3	07FEB2025	
E	ECN-2402005(QUEENIE) 修正英文拼字	05FEB2024	
D	ECN-2310035(ADA)SEE PAGE 1/3	18OCT2023	
Zone	Revision	Description	Date