

RoHS
compliant



- SPECIFICATION**
MATERIAL AND FINISH:
 1. INSULATOR: PA4T
 2. INNER INSULATOR: LCP
 3. CONTACTS: COPPER ALLOY
 CONTACT AREA: 6u" AU
 SOLDER TAILS AREA: 80~160u" SN(MATTE)
 4. SHELL: ZINC ALLOY
 5. PLATING: 80~200u" SN (MATTE) OVER 120~240u" NI
 OVER 270~400u" CU

ELECTRICAL CHARACTERISTIC:

1. IMPEDANCE: 50 Ω
2. INSULATION RESISTANCE: 1000 MΩ MIN. AT 100 V DC
3. WITHSTANDING VOLTAGE: AC 800 Vrms MIN. 60 Hz
4. VOLTAGE RATING: AC 335 Vrms
5. CURRENT RATING: 1.0 A MAX.
6. CONTACT RESISTANCE: 10 mΩ MAX. AT 20 mV MAX.

MECHANICAL CHARACTERISTIC:

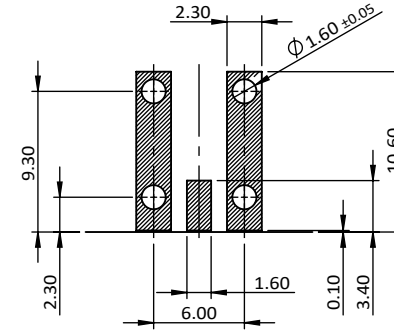
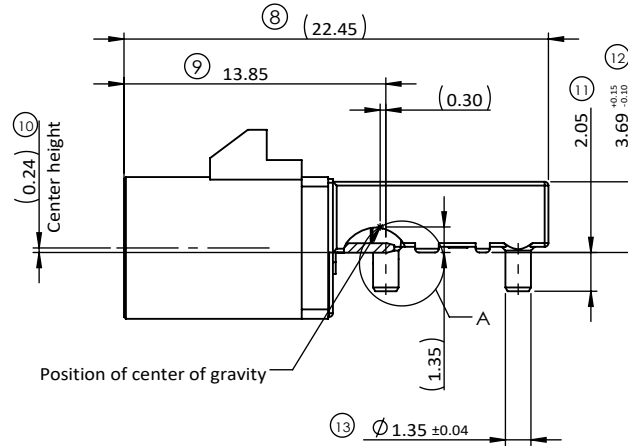
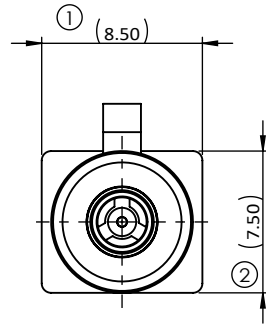
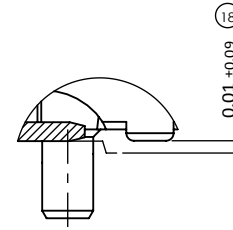
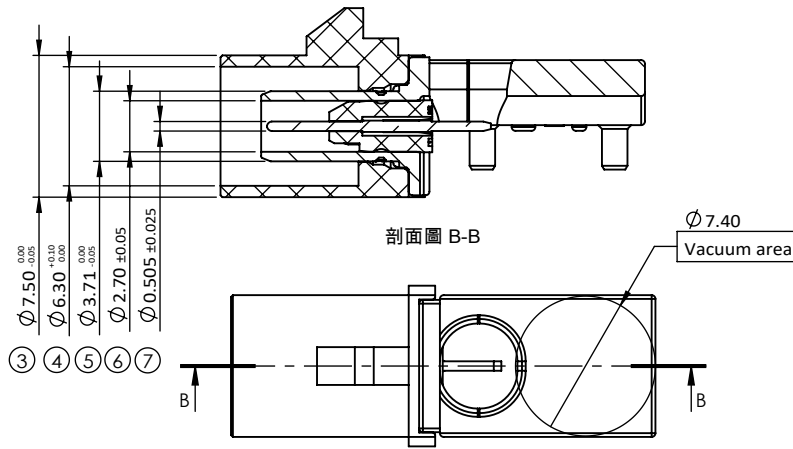
1. MATING CYCLES: 25 INSERTIONS

ENVIRONMENT:

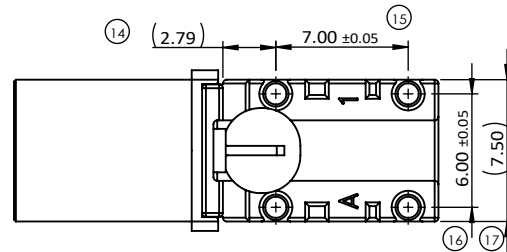
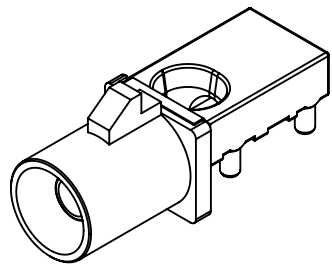
1. OPERATION TEMPERATURE RANGE: -40 °C TO +105 °C

PACKING STYLE:

1. TAPE REEL



RECOMMENDED PCB LAYOUT
 TOLERANCE: ±0.02mm



X=CODING(SEE PAGE 3/3)

4	5410201004X	410DF01C6TA4T5CX	3 O'CLOCK	
3	5410201003X	410DF01C6TA4T4CX	9 O'CLOCK	
2	5410201002X	410DF01C6TA4T3CX	6 O'CLOCK	
1	5410201001X	410DF01C6TA4T2CX	12 O'CLOCK	
ITEM	NEW P/N.	OLD P/N.	CODING NOSE DIRECTION	NOTE

UNLESS OTHERWISE SPECIFIED TOLERANCE
 ANG. ±5°
 0. ±0.50
 .0 ±0.30
 .00 ±0.20



CHANT SINCERE CO., LTD

SCALE: AS SHOWN

UNIT: mm

DRAWN: HOLLY_TU

23AUG2024

CHECKED: JEFF_LIU

03 Jun 2025

APPROVED: MARK_YEN

03 Jun 2025

TITLE:
 FAKRA R/A PLUG FOR PCB WITH HOUSING
 (MID MOUNT)

PART NO. 5410201XXXX



SIZE A4

SHEET 1/3

REV. F

CODE: GC CUSTOMER:

G8	F	ECN-2505098(JEFF)CHANGE PLATING SPECIFICATIONS	21MAY2025
G8	E	ECN-2408088(JOE)CHANGE PLATING SPECIFICATIONS	29AUG2024
	D	ECN-2402007(QUEENIE)SEE PAGE 3/3	06FEB2024
Zone	Revision	Description	Date

RoHS
compliant

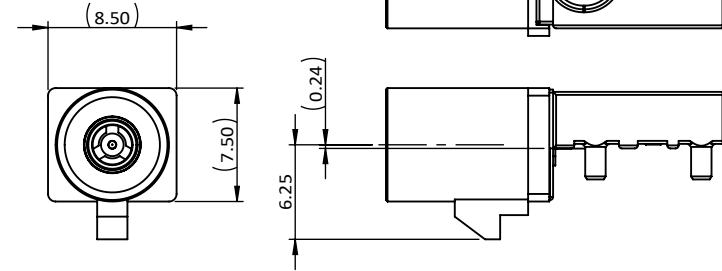
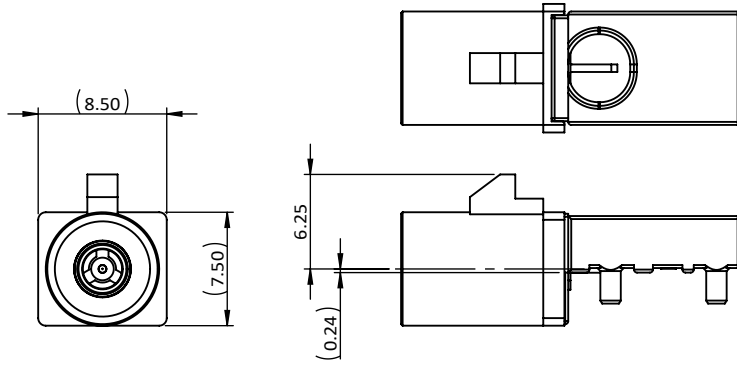


Coding Nose 12 O'CLOCK

Coding Nose 6 O'CLOCK

5410201001X

5410201002X

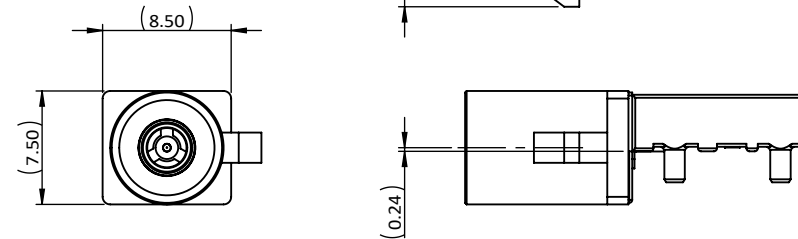
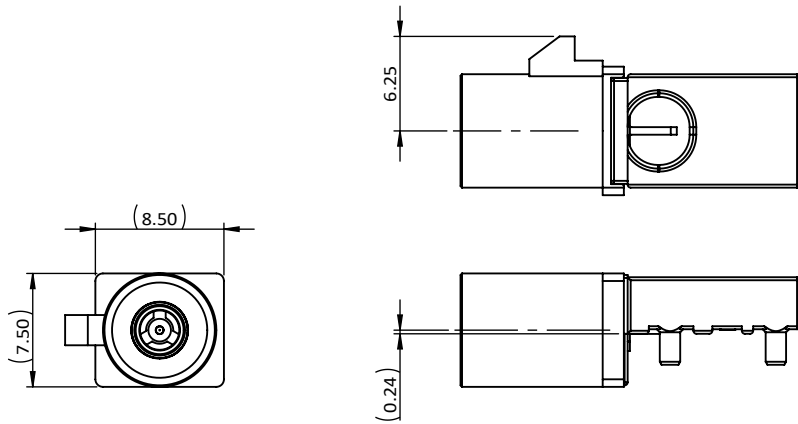


Coding Nose 9 O'CLOCK

Coding Nose 3 O'CLOCK

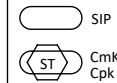
5410201003X

5410201004X



UNLESS OTHERWISE SPECIFIED TOLERANCE

ANG. $\pm 5^\circ$
0. ± 0.50
.0 ± 0.30
.00 ± 0.20



CHANT SINCERE CO.,LTD

SCALE: AS SHOWN

UNIT: mm

F ECN-2505098(JEFF)SEE PAGE 1/3

21MAY2025

DRAWN: HOLLY_TU

23AUG2024

TITLE:
FAKRA R/A PLUG FOR PCB WITH HOUSING
(MID MOUNT)

E ECN-2408088(JOE)SEE PAGE 1/3

23AUG2024

CHECKED: JEFF_LIU

03 Jun 2025

PART NO. 5410201XXXX

D ECN-2402007(QUEENIE)SEE PAGE 3/3

06FEB2024

APPROVED: MARK_YEN

03 Jun 2025

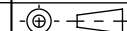
A

Zone

Revision

Description

Date



SIZE A4

SHEET 2/3

REV. F

CODE: GC

CUSTOMER:

A

1

2

3

4

5

6

7

8

9

10

RoHS
compliant



A	B	C	D	E	F	G
BLACK SIMILAR RAL.9005	WHITE SIMILAR RAL.9001	BLUE SIMILAR RAL.5005	BORDEAUX VIOLET SIMILAR RAL.4004	GREEN SIMILAR RAL.6002	BROWN SIMILAR RAL.8011	GREY SIMILAR RAL.7031
H	I	K	L	M	N	Z
VIOLET SIMILAR RAL.4003	BEIGE SIMILAR RAL.1001	CURRY SIMILAR RAL.1027	CARMINE RED SIMILAR RAL.3002	PASTEL ORANGE SIMILAR RAL.2003	PASTEL GREEN SIMILAR RAL.6019	WATER BLUE SIMILAR RAL.5021

UNLESS OTHERWISE SPECIFIED TOLERANCE		SIP Crk Cpk		 CHANT SINCERE CO.,LTD		
ANG.	±5°	SCALE:	AS SHOWN		UNIT:	mm
0.	±0.50	DRAWN:	HOLLY_TU	23AUG2024	TITLE:	FAKRA R/A PLUG FOR PCB WITH HOUSING (MID MOUNT)
.0	±0.30	CHECKED:	JEFF_LIU	03 Jun 2025	PART NO.	5410201XXXX
.00	±0.20	APPROVED:	MARK_YEN	03 Jun 2025	CODE:	GC
SIZE A4 SHEET 3/3		REV.	F	CUSTOMER:		

F	ECN-2505098(JEFF)SEE PAGE 1/3	21MAY2025
E	ECN-2408088(JOE)SEE PAGE 1/3	23AUG2024
D6	ECN-2402007(QUEENIE)MODIFY ENGLISH WORDS	06FEB2024
Zone	Revision	Description
1	2	3

G
F
E
D
C
B
A

G
F
E
D
C
B
A