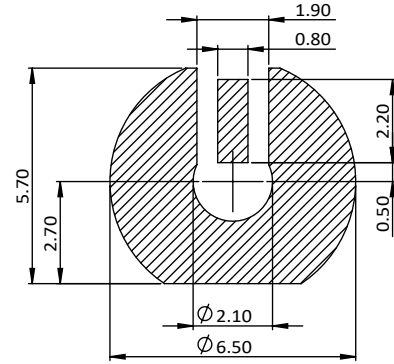
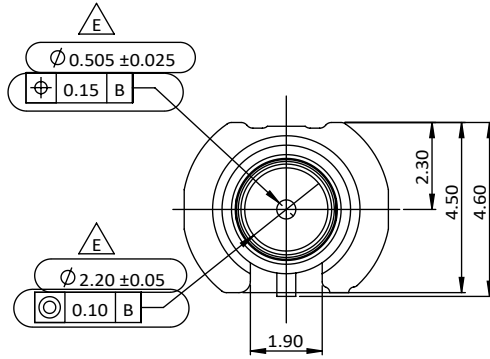
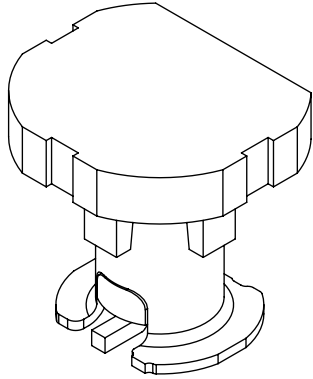
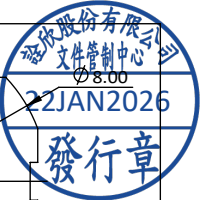
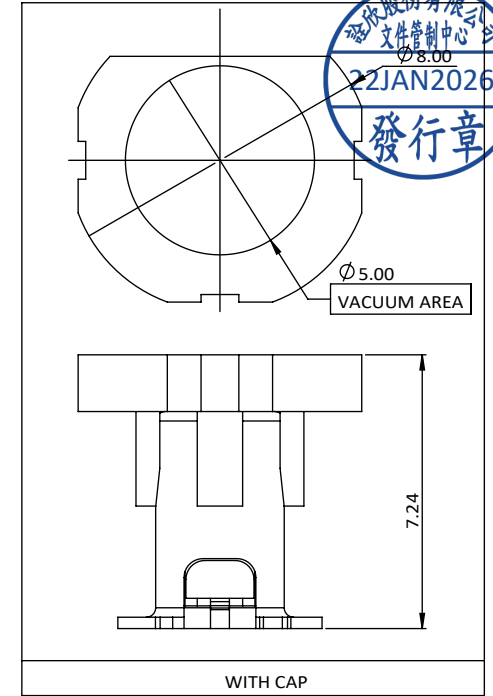


HF
compliant



RECOMMENDED PCB LAYOUT
TOLERANCES 0.05mm



SPECIFICATION

MATERIALS AND FINISH:

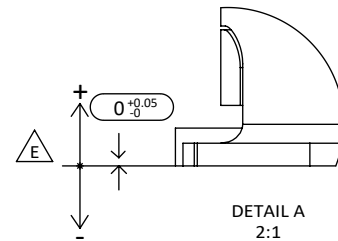
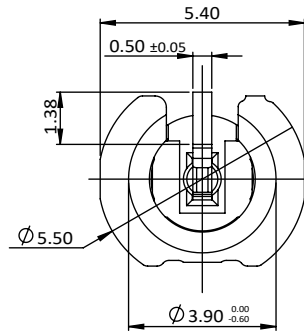
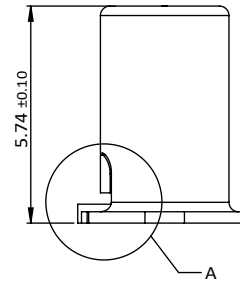
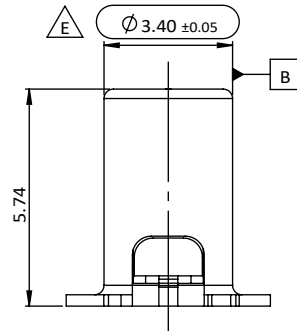
- INSULATOR: LCP, COLOR BLACK
- CAP: LCP, COLOR BLACK
- CONTACT: COPPER ALLOY
PLATING CONTACT AREA: 3u" Au OVER 50u"~150u" Ni
SOLDER AREA: 80u"~160u" Sn(MATTE) OVER 50u"~150u" Ni
- SHELL: COPPER ALLOY
PLATING: 80u"~160u" Sn(MATTE) OVER 50u"~150u" Ni

ELECTRICAL CHARACTERISTIC:

- IMPEDANCE: 50Ω
- INSULATOR RESISTANCE: 1000 MΩ MIN. (DC 500V)
- WITHSTANDING VOLTAGE: AC 500 Vrms
- CURRENT RATING: 3 A(DC)
- CONTACT RESISTANCE: 20 mΩ INITIAL (AFTER 40 mΩ MAX.)

MECHANICAL CHARACTERISTIC:

- DURABILITY: 25 CYCLES
- OPERATING TEMPERATURE RANGE: -40°C TO +105°C
- USCAR-17 COMPLIANT



51802010020	N/A	RoHS+HF	REEL+CAP
51802010010	S410DF01MRTC1333	RoHS	REEL+CAP
NEW P/N.	OLD P/N	GREEN OPTION	PACKING
UNLESS OTHERWISE SPECIFIED TOLERANCE		 CHANT SINCERE CO.,LTD	
ANG.	±5°		
0.	±0.50		
.0	±0.30	SIP CmK Cpk	
SCALE:	AS SHOWN	UNIT:	mm

C6, E4, F4, G4	E	ECN-2512050(ANDY_GAO)REVISE DRAWING	29OCT2025	DRAWN: HOLLY_TU	12 Dec 2025	TITLE: SMB-CM CONN		
	D	ECN-2308063(TINA)NEW RoHS+HF OPTION	29AUG2023	CHECKED: JERRY_CHOU	16 Dec 2025			
E2	C	ECN-2305074(ANDY)MODIFY SPEC CONTENT & UPDATE FRAME & NEW P/N.	31MAR2023	APPROVED: JERRY_CHOU	16 Dec 2025	PART NO. 51802010010		
ZONE	REVISION	DESCRIPTION	DATE	SIZE A4	SHEET 1/1	REV. E	CODE: GC	CUSTOMER: