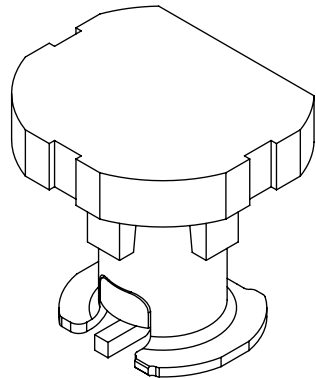


HF
compliant



SPECIFICATION C

MATERIALS AND FINISH:

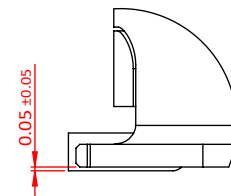
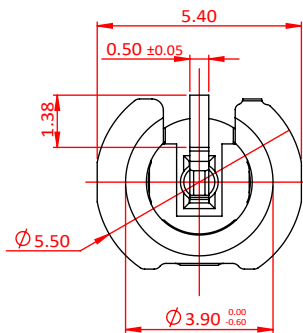
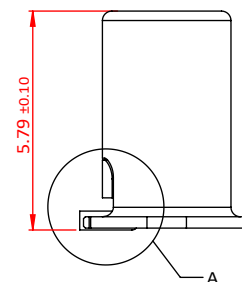
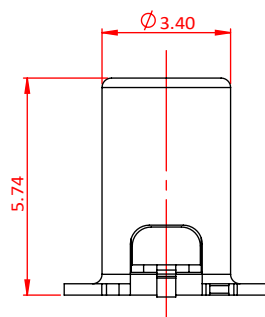
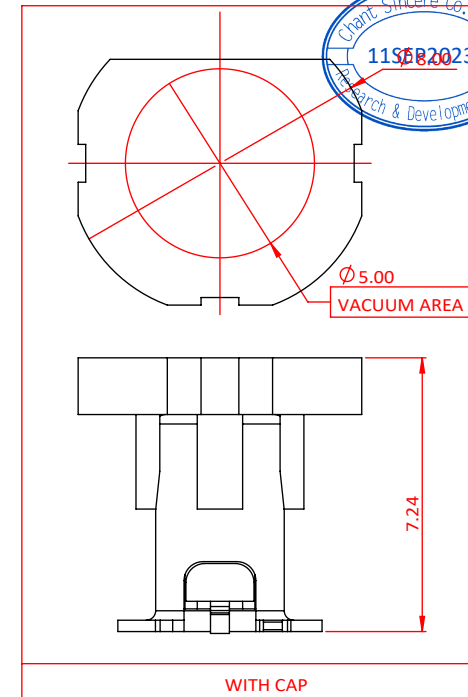
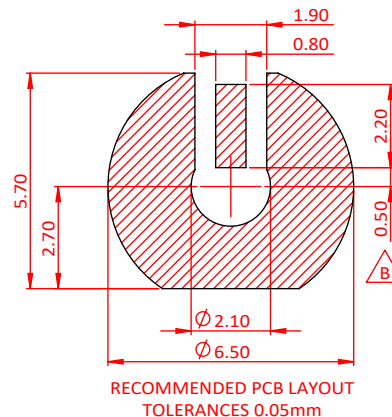
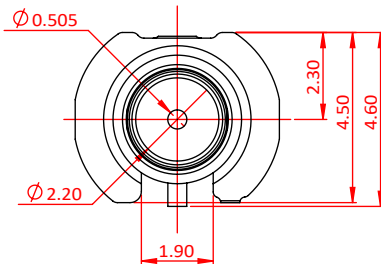
1. INSULATOR: LCP, COLOR BLACK
2. CAP: LCP, COLOR BLACK
3. CONTACT: COPPER ALLOY
PLATING CONTACT AREA: 3u" Au OVER 50u"~150u" Ni
SOLDER AREA: 80u"~160u" Sn(MATTE) TIN OVER 50u"~150u" Ni
4. SHELL: COPPER ALLOY
PLATING: 80u"~160u" Sn(MATTE) OVER 50u"~150u" Ni

ELECTRICAL CHARACTERISTIC:

1. IMPEDANCE: 50Ω
2. INSULATOR RESISTANCE: 1000 MΩ MIN. (DC 500V)
3. WITHSTANDING VOLTAGE: AC 500 Vrms
4. CURRENT RATING: 3 A(DC)
5. CONTACT RESISTANCE: 20 mΩ INITIAL (AFTER 40 mΩ MAX.)

MECHANICAL CHARACTERISTIC:

1. DURABILITY: 25 CYCLES
2. OPERATING TEMPERATURE RANGE: -40°C TO +105°C
3. USCAR-17 COMPLIANT



| | | | |
|--------------------------------------|------------------|----------------------------------|-------------|
| 51802010020 | N/A | RoHS+HF | REEL+CAP |
| 51802010010 | S410DF01MRTC1333 | RoHS | REEL+CAP |
| NEW P/N. | OLD P/N | GREEN OPTION | PACKING |
| UNLESS OTHERWISE SPECIFIED TOLERANCE | | CHANT SINCERE CO.,LTD | |
| ANG. | ±5° | | |
| 0. | ±0.50 | | |
| .0 | ±0.30 | | |
| .00 | ±0.20 | SIP Crk Cpk | |
| SCALE: | AS SHOWN | UNIT: | mm |
| DRAWN: | KEVIN_ZHENG | 29 08 2023 | TITLE: |
| CHECKED: | JERRY_CHOU | 29 08 2023 | SMB-CM CONN |
| APPROVED: | JERRY_CHOU | 29 08 2023 | PART NO. |
| | | | 51802010010 |
| | | | CODE: |
| | | | GC |
| | | | CUSTOMER: |

| | | | | | | | | | |
|------|----------|--|-----------|--|--|--|--|--|--|
| | D | ECN-2308063(TINA)NEW RoHS+HF OPTION | 29AUG2023 | | | | | | |
| E2 | C | ECN-2305074(ANDY)MODIFY SPEC CONTENT & UPDATE FRAME & NEW P/N. | 31MAR2023 | | | | | | |
| F8 | B | ECN-2212033(TINA)ADD DIM. | 16DEC2022 | | | | | | |
| ZONE | REVISION | DESCRIPTION | DATE | | | | | | |