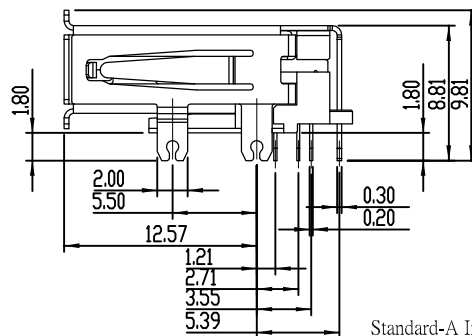
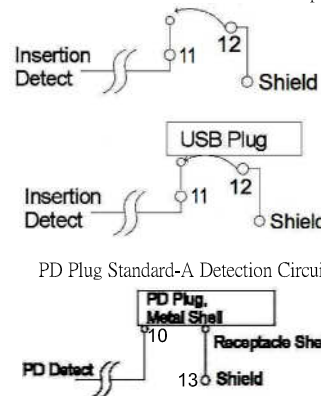


TOLERANCE: ±0.05, THICKNESS=1.60mm  
 RECOMMENDED PCB LAYOUT (TOP VIEW)



Standard-A Insertion Detect Schematic Representation



**SPECIFICATION**

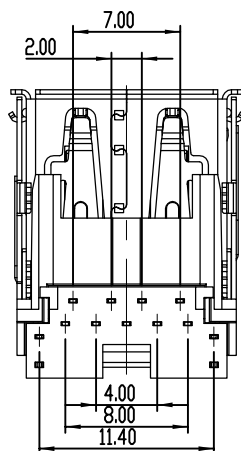
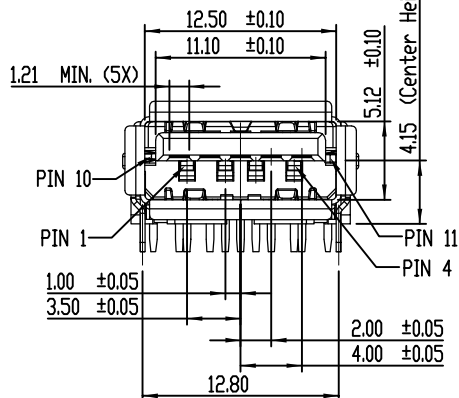
**MATERIAL**  
 Insulator: Thermoplastic, rated UL94V-0  
 Contacts: Copper Alloy  
 Shell: Steel

**CONTACT PLATING**  
 Underplate: 80u" Nickel  
 Contact area: 30u" Pd-Ni+2u" Gold  
 Solder tails area: 100u"~200u" Tin (Lead Free)

**ELECTRICAL**  
 Current rating: 5 Amps max.  
 Current Voltage: 20V.  
 Contact resistance: 30 mΩ (Max) initial for Vbus and GND contacts.  
 50 mΩ (Max) initial for all other contacts.  
 Insulation resistance: 100 Mohms min @ 100 DAC  
 Dielectric withstanding voltage: 100 VAC / minute  
 Temperature range: -25°C TO +105°C  
 Mating cycle: 5000

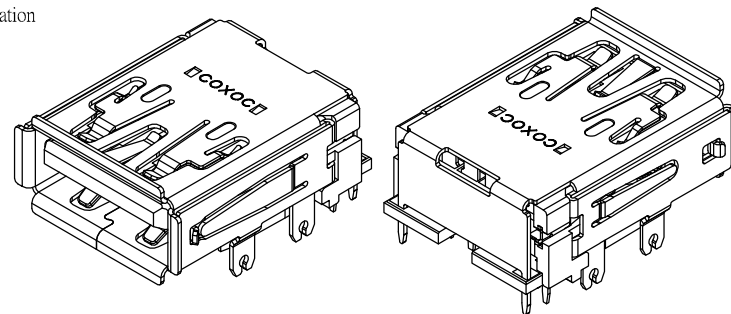
Part no. 377 A D 09 K Z T F 1 P X A X  
 1 2 3 4 5 6 7 8 9 10 11 12

- 1. SERIES NO. 377=USB Series
- 2. A=Standard (DIP)
- 3. GREEN OPTION: D=RoHS2 (Halogen Free)
- 4. CONTACT NUMBER: 09=9 PINS
- 5. CONTACT TYPE: K=FEMALE
- 6. CONTACT AREA PLATING: Z=30u" Pd-Ni+2u" Gold
- 7. SOLDER TAILS AREA PLATING: T=100u"~200u" Tin (Lead Free)
- 8. APPLY TYPE: F1=USB 3.1 type
- 9. SHELL PLATING: P=80u" Nickel
- 10. SHELL LOGO: 1=W/COXOC Logo
- 11. PACKING STYLE: A=TRAY
- 12. INSULATOR COLOR: 2=Blue



**Pin Assignments**

Pin Number	Signal Name
1	VBUS
2	D-
3	D+
4	GND
5	StdA_SSRX-
6	StdA_SSRX+
7	GND_DRAIN
8	StdA_SSTX-
9	StdA_SSTX+
10	PD DETECT
11	INSERTION DETECT
12	SHELL(Shield)
13	SHELL(Shield)



UNLESS OTHERWISE SPECIFIED TOLERANCE	
ANG.	±5°
0.	±0.50
.0	±0.30
.00	±0.20

**OXOC**  
 CHANT SINCERE CO.,LTD  
 TEL:886-02-86471251 FAX:886-02-86472962

SCALE: AS SHOWN	UNIT: mm
DRAWN Vicky_H	09/11/2015
CHECKED	
APPROVED	

DRAWN NAME: USB 3.1 Female Connector (Center Height 4.15)  
 PRODUCT NO. 377AD09KZTF1PXAX  
 FILE NAME: C-377AD09KZTF1POA2(P06)

REV.	DESCRIPTION	DATE	SIZE	REV.
1			A4	C