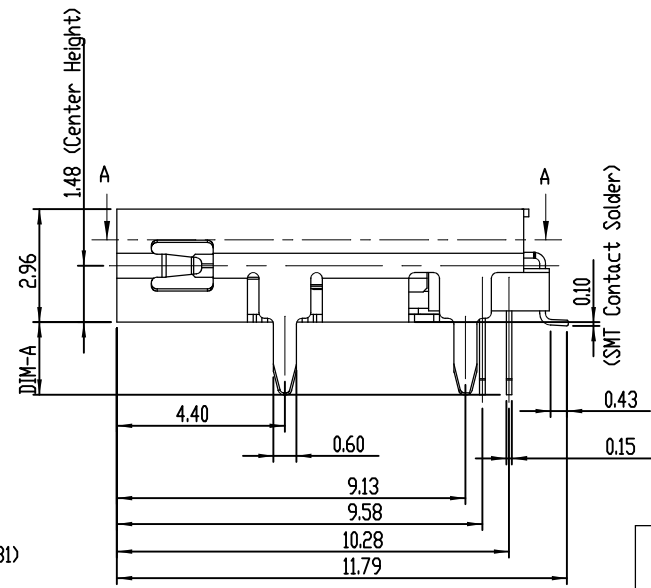
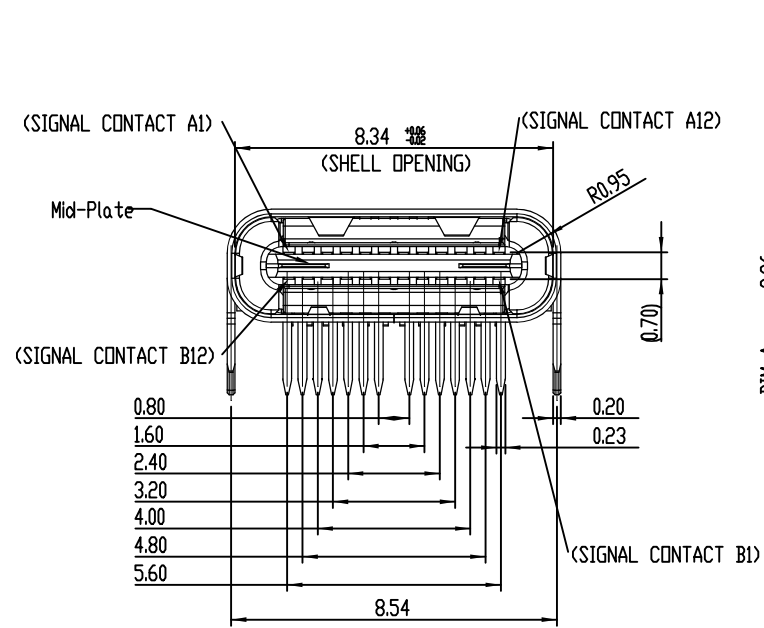


SPECIFICATION
MATERIAL
 Insulator: Thermoplastic,Black
 Contacts: BRASS
 Shell:Stainless Steel
CONTACT PLATING
 Underplate: 40u"~80u" Nickel
 Contact area: 30u"~Pd-Ni+2u" Selective gold,
 Solder tails area: 100u"~200u" Tin (Lead Free)
ELECTRICAL
 Operation voltage: 20 V
 Current rating: 5 Amps max.
 Insulation resistance: 100 Mohms min @ 100 VDC
 Dielectric withstanding voltage: 100 VAC / minute
 Temperature range: -40°C to +105°C
 Mating cycles: 10,000 insertions

Part no.
 317 J D 24 B Z T F3 K X X 3
 1 2 3 4 5 6 7 8 9 10 11 12

- 1.SERIES NO.
317=USB Series
- 2.J=SMT+DIP Type
- 3.GREEN OPTION:
-General
D=RoHS2 (Matte)
(Halogen Free)
- 4.CONTACT NUMBER:
24=24 PINS
- 5.CONTACT TYPE:
B=FEMALE(LCP)
- 6.CONTACT AREA PLATING:
Z=30u"~Pd Ni+2u" GOLD
- 7.SOLDER TAILS AREA PLATING:
T=100u"~200u" TIN(Lead Free)
- 8.APPLY TYPE:
F3= Socket
- 9.SHELL PLATING:
K=Ni-Plated(W/O Rear Cover)
- 10.1=W/O Rear masking sheet (PCB 1.00mm)
3=W/O Rear masking sheet (PCB 1.60mm)
5=W/O Rear masking sheet (PCB 1.00mm)+
COXOC LOGO
7=W/O Rear masking sheet (PCB 1.60mm)+
COXOC LOGO
- 11.PACKING STYLE:
A=TRAY
C=Tape&Reel
- 12.INSULATOR COLOR:
3=Black
C=Black+Date Code



	PCB 1.0mm	PCB 1.6mm
DIM-A	1.50mm	1.90mm

UNLESS OTHERWISE SPECIFIED TOLERANCE	
ANG.	±5°
0.	±0.50
.0	±0.30
.00	±0.20
SCALE:	AS SHOWN
UNIT:	mm
DRAWN	JIM
CHECKED	
APPROVED	
DATE	01/13/2017

OXOC

CHANT SINCERE CO.,LTD
 TEL:886-02-86471251 FAX:886-02-86472962

DRAWN NAME:
 USB TYPE C Receptacle (W/O Rear Cover Type) 1/3

PRODUCT NO. 317JD24BZTF3KXX3

FILE NAME: C-317JD24BZTF3KXX3(GA)

REV.	DESCRIPTION	DATE	SIZE	REV.	FILE NAME
1			A4	B	C-317JD24BZTF3KXX3(GA)