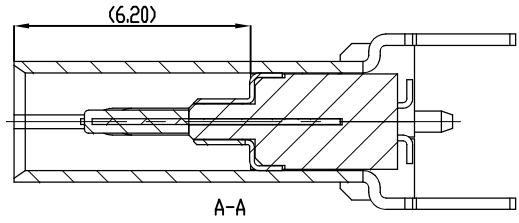
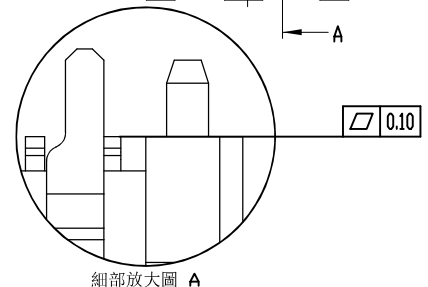
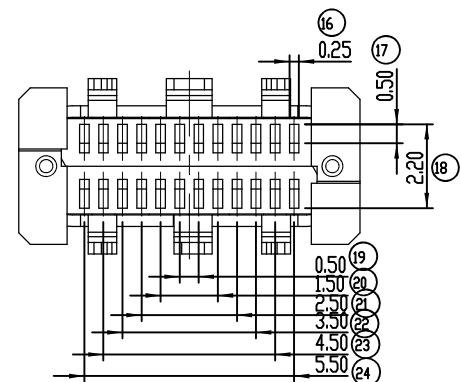
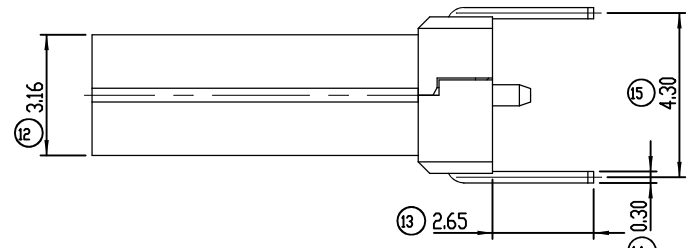
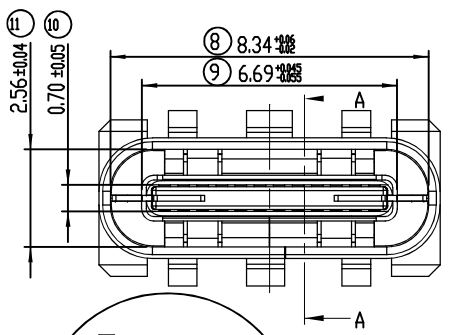
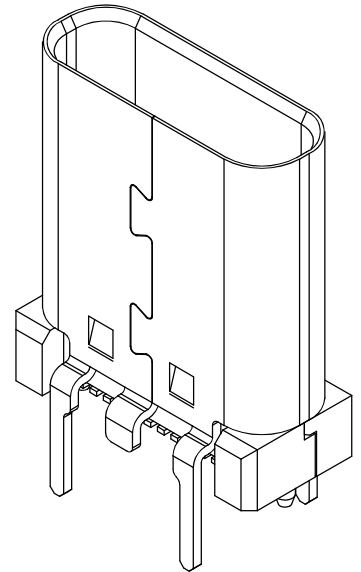


DATE CODE : YYWW
 YEAR
 EX.15=2015
 WEEK CODE



SPECIFICATION

MATERIAL
 Insulator: Thermoplastic,Black
 Contacts: Copper
 Shell: Stainless Steel
CONTACT PLATING
 Underplate: 80u"Min. Nickel
 Contact area: 1u"~30u" Selective gold
 Solder tails area: 100u"~200u" Tin (Lead Free)
ELECTRICAL
 Operation voltage: 20 V
 Current rating: 5 Amps max.
 Insulation resistance: 100 Mohms min @ 100 VDC
 Dielectric withstanding voltage: 100 VAC / minute
 Temperature range: -40°C TO +105°C
 Mating cycles: 10,000 Cycles

Part no.

317 D H 24 B X T F7 X 1 3 C
 1 2 3 4 5 6 7 8 9 10 11 12

- 1.SERIES NO.
317=USB Series
- 2.D=SMT Type
- 3.GREEN OPTION:
H=RoHS+HF(Matte Plated)
- 4.CONTACT NUMBER:
24=24 PINS
- 5.CONTACT TYPE:
B=FEMALE(LCP)
- 6.CONTACT AREA PLATING:
D=30uGOLD
- 7.SOLDER TAILS AREA PLATING:
T=100u"~200u" TIN(Lead Free)
- 8.APPLY TYPE:
F7=Vertical Type
- 9.SHELL PLATING:
N=NI
- 10.1=PCB 1.60mm(Solder Tail 2.65)
- 11.PACKING STYLE:
3=TAPE REEL+CAP
- 12.INSULATOR COLOR:
C=Black+Date Code

UNLESS OTHERWISE SPECIFIED TOLERANCE	
ANG.	±5°
0.	±0.50
.0	±0.30
.00	±0.20



CHANT SINCERE CO.,LTD
 TEL:886-02-86471251 FAX:886-02-86472962

SCALE: AS SHOWN	UNIT: mm
DRAWN Phoebe	03/08/2019
CHECKED	/ /
APPROVED	/ /

DRAWN NAME: (PDR-16033)
 USB Type C Receptacle Vertical Type 1/2
 (Insertion distance 6.20mm)

PRODUCT NO. 317DH24BXTF7X13C

REV.	DESCRIPTION	DATE	SIZE	REV.	FILE NAME:
1			A4	D	C-317DH24BXTF7N13C(R06)