

SPECIFICATION

MATERIAL

Insulator: THERMOPLASTIC BLUE(Pantone 300C) UL94HB
 Contacts: Copper Alloy
 Shell: Steel
CONTACT PLATING
 Underplate: 80u" Nickel
 Contact area: 30u" Pd-Ni+2u"Gold
 Solder tails area: 100u"~200u" Matte Tin

ELECTRICAL

Current rating:

1.8 Amps (max) shall be applied to Vbus pin and its corresponding GND pin.
 0.25 Amp(Min) shall be applied to all the other contacts.

Contact resistance:

30 mΩ (Max) initial for VBUS and GND Contacts.

50 mΩ (Max) initial for All Other Contacts.

Insulation resistance: 100 Mohms min @ 250 VDC

Dielectric withstanding voltage: 100 VAC / minute

Temperature range: -20°C TO +85°C

Mating cycles: 5,000 insertions

Part no.

317 D H 09 M Z T S2 N 1 X 2
 1 2 3 4 5 6 7 8 9 10 11 12

1.SERIES NO.

317=USB Series

2.D=SMT Type

3.GREEN OPTION:

H=RoHS (Matte-Halogen Free)

4.CONTACT NUMBER:

09=9 PINS

5.CONTACT TYPE:

M=MALE

6.CONTACT AREA PLATING:

Z=30u"Pd-Ni+2U"Gold

7.SOLDER TAILS AREA PLATING:

T=100u"~200u" Tin

8.APPLY TYPE:

S2=Type

9.SHELL PLATING:

N=Nickel

10.FILL IT WITH:

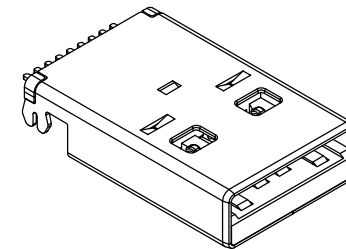
1=Stand-Off 2.65mm

11.PACKING STYLE:

A=TRAY

12.INSULATOR COLOR:

2=BLUE(Pantone 300C)



(ST) For Cmk/Cpk

UNLESS OTHERWISE SPECIFIED TOLERANCE	
ANG.	±5°
0.	±0.50
.0	±0.30
.00	±0.20

SCALE: AS SHOWN	UNIT: mm
-----------------	----------

DRAWN PEARL	03/05/2015
-------------	------------

CHECKED	//
---------	----

APPROVED	//
----------	----

SIZE A4	REV. DX1
---------	----------



CHANT SINCERE CO.,LTD

TEL:886-02-86471251 FAX:886-02-86472962

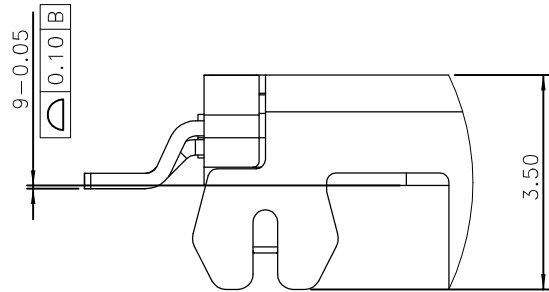
DRAWN NAME:

USB3.0 A(M)SMT 1/2

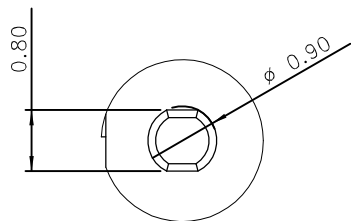
PRODUCT NO. 317DH09MZTS2N1X2

FILE NAME: C-317DH09MZTS2N1X2(GA)

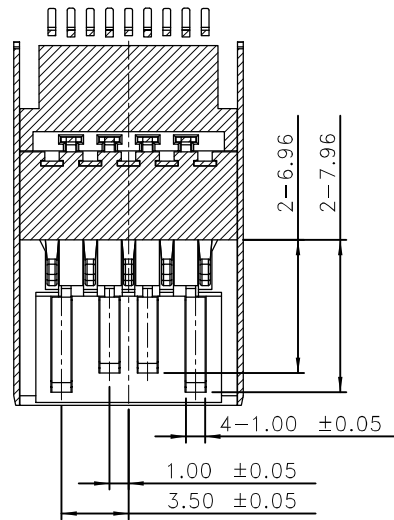
REV.	DESCRIPTION	DATE	SIZE	REV.	FILE NAME:
1			A4	DX1	C-317DH09MZTS2N1X2(GA)



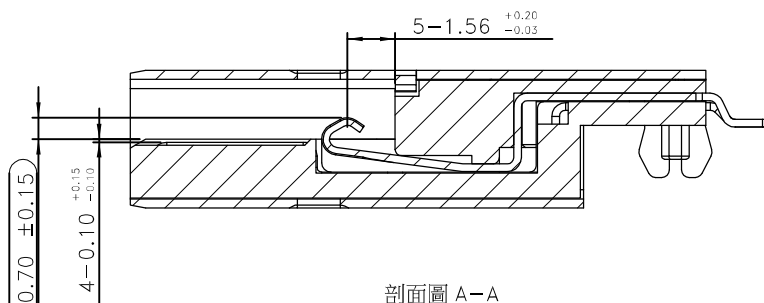
細部放大圖 A



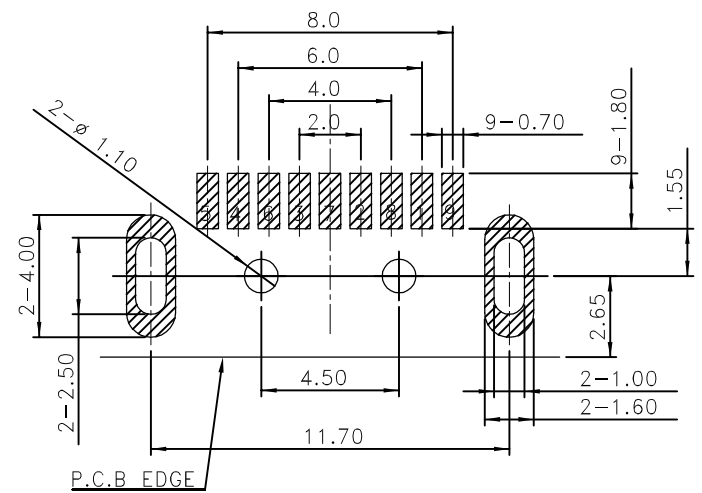
細部放大圖 B



剖面圖 B-B



剖面圖 A-A



RECOMMENDED P.C.B. LAYOUT
TOLERANCES: ±0.05mm

(ST) For Cmk/Cpk

UNLESS OTHERWISE SPECIFIED TOLERANCE	
ANG.	±5°
0.	±0.50
.0	±0.30
.00	±0.20

SCALE: AS SHOWN UNIT: mm

DRAWN PEARL 03/05/2015

CHECKED / /

APPROVED / /

SIZE A4 REV. DX1



CHANT SINCERE CO.,LTD
TEL:886-02-86471251 FAX:886-02-86472962

DRAWN NAME: USB3.0 A(M)SMT 2/2

PRODUCT NO. 317DH09MZTS2N1X2

FILE NAME: C-317DH09MZTS2N1X2(GA)

REV.	DESCRIPTION	DATE
1		
2		
3		
4		
5		
6		